

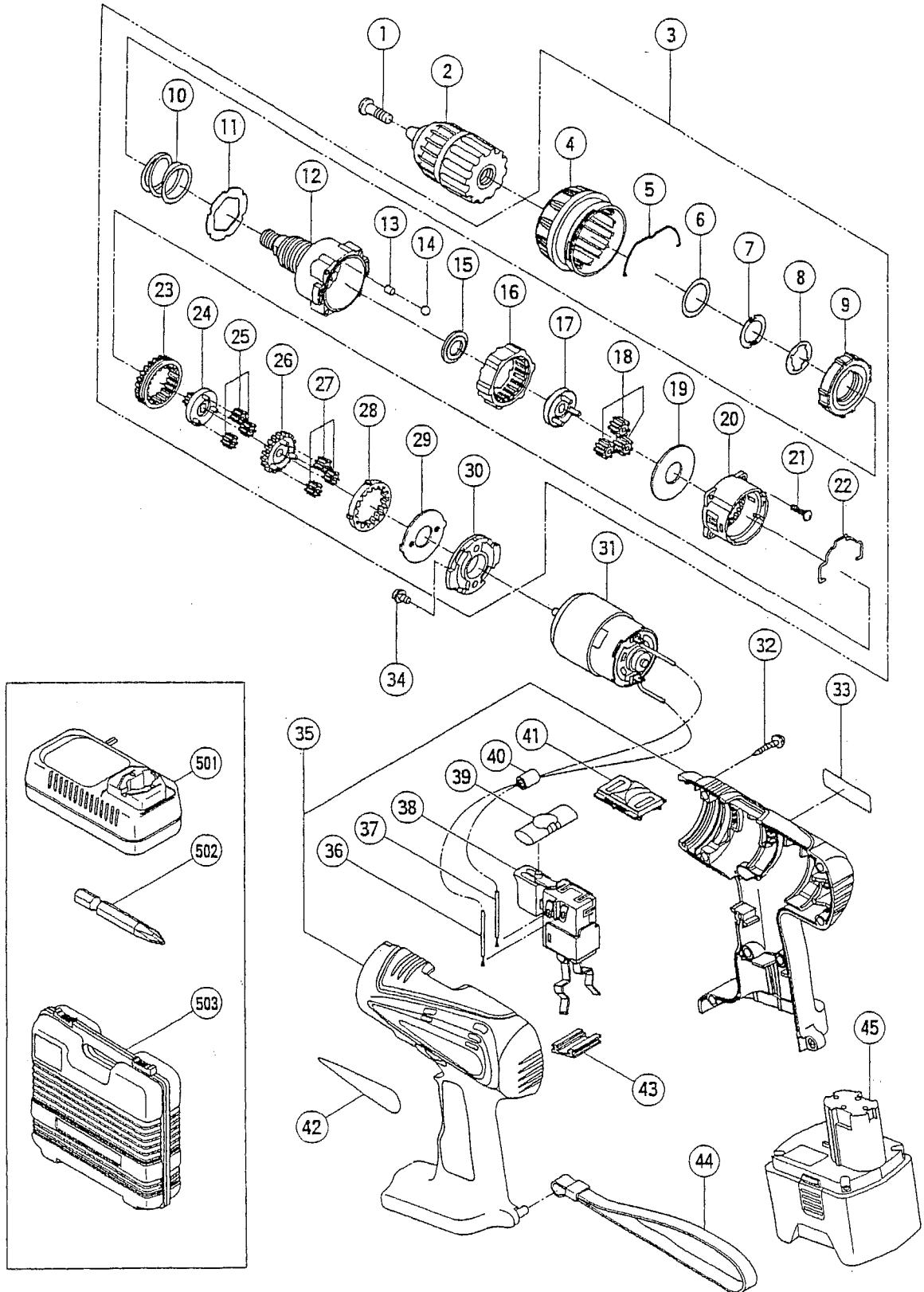
HITACHI

05/10/01

Hitachi Power Tools France S.A.

perceuse visseuse percussion

DV 18DV



DV 18DV (1/2)

05/10/01

| POS. | REFERENCES | DESIGNATIONS | CODES |
|------|------------|--------------------------|---------|
| 1 | 311 959 | VIS PAS A GAUCHE M6*23 | 204 |
| 2 | 319 766 | MANDRIN AUTOSERRANT 13mm | access. |
| 3 | 320 093 | ENGRENAGE COMPLET | 234 |
| 4 | 319 963 | BAGUE DE REGLAGE | 206 |
| 5 | 319 754 | RESSORT | 205 |
| 6 | 320 088 | O RING | 204 |
| 7 | 320 089 | RONDELLE | 205 |
| 8 | 320 090 | PLAQUE | 205 |
| 9 | 319 743 | ECROU | 204 |
| 10 | 319 742 | RESSORT | 205 |
| 11 | 319 741 | RONDELLE | 204 |
| 12 | 320 092 | CARTER | 222 |
| 13 | 319 744 | OLIVE | 204 |
| 14 | 306 936 | BILLE Ø5 | 202 |
| 15 | 319 746 | ENTRETOISE | 204 |
| 16 | 319 745 | ENGRENAGE | 205 |
| 17 | 319 747 | SUPPORT PIGNON | 205 |
| 18 | 319 769 | JEU DE PIGNONS | 204 |
| 19 | 312 704 | RONDELLE | 204 |
| 20 | 319 748 | PALIER ENGRENAGE | 205 |
| 21 | 320 087 | VIS M.3*12 | 206 |
| 22 | 319 753 | FOURCHETTE | 205 |
| 23 | 319 750 | ENGRENAGE | 206 |
| 24 | 319 749 | SUPPORT PIGNON | 205 |
| 25 | 319 768 | JEU DE PIGNONS | 204 |
| 26 | 319 751 | PIGNON | 205 |
| 27 | 319 767 | JEU DE PIGNONS | 204 |
| 28 | 319 752 | ENGRENAGE | 206 |
| 29 | 312 716 | RONDELLE | 204 |
| 30 | 316 955 | PALIER | 206 |
| 31 | 319 756 | MOTEUR | 221 |
| 32 | 313 687 | VIS Ø 3*16 | 202 |
| 34 | 317 333 | VIS M.4*6 | 204 |
| 35 | 319 761 | CARCASSE (A + B) | 216 |
| 36 | 319 759 | FIL | 204 |
| 37 | 319 758 | FIL | 204 |
| 38 | 320 091 | INTERRUPTEUR | 222 |
| 39 | 319 760 | BOUTON INVERSEUR | 204 |
| 40 | 318 247 | ENTRETOISE FERRITE | 204 |
| 41 | 318 234 | LEVIER DE VITESSES | 204 |
| 43 | 315 141 | INTERCALAIRE | 204 |

DV 18DV (2/2)

05/10/01

| POS. | REFERENCES | DESIGNATIONS | CODES |
|------|------------|-------------------|---------|
| 44 | 306 952 | DRAGONNE | 207 |
| 45 | 319 764 | BATTERIE EB 1820 | access. |
| 45 | 319 765 | BATTERIE EB 1830H | access. |

ACCESSOIRES

| | | | |
|-----|----------|-------------------|---------|
| 501 | UC 24YFA | CHARGEUR | access. |
| 502 | 318 236 | EMBOUT N°2 L.55mm | access. |
| 503 | 319 770 | COFFRET | access. |

