

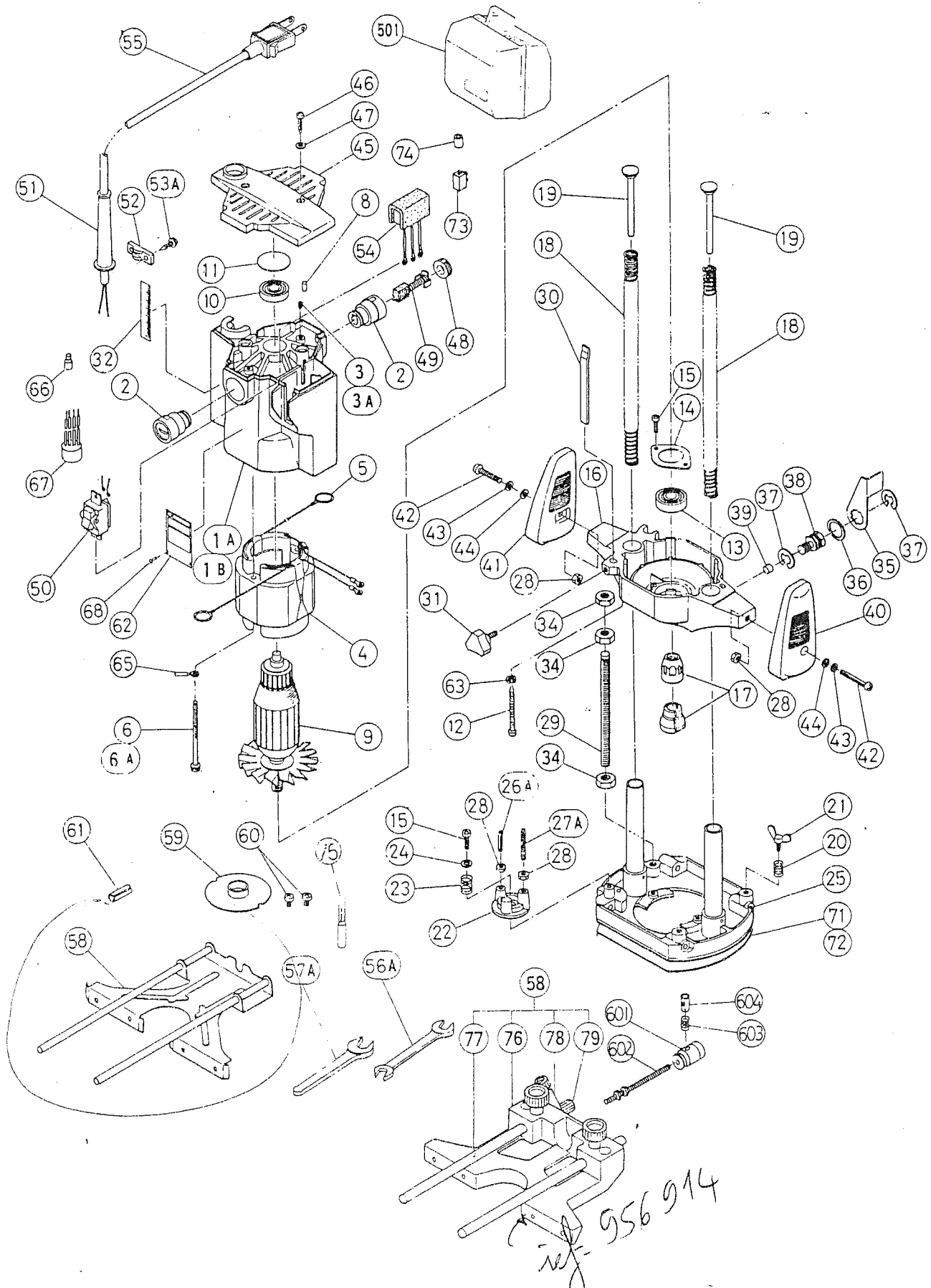


# HITACHI

TR — 8M  
= TR-8

## DEFONÇEUSE/AFFLEUREUSE

Juin 89



| POS. | REFERENCES | DESIGNATIONS         | CODES |
|------|------------|----------------------|-------|
| 1    | 971830     | CARCASSE             | 223   |
| 2    | 958900     | PORTE CHARBON        | 208   |
| 3    | 949365     | VIS                  | 201   |
| 4    | 971832     | INDUCTEUR            | 218   |
| 5    | 930703     | CABLE D'INTERRUPTEUR | 204   |
| 6    | 949233     | VIS                  | 201   |
| 7    | 949454     | RONDELLE GROWER      | 201   |
| 8    | 931701     | BUTEE                | 202   |
| 9    | 971834     | INDUIT               | 232   |
| 10   | 855284     | ROULEMENT            | 211   |
| 11   | 971835     | JOINT ROULEMENT      | 203   |
| 12   | 955912     | VIS                  | 202   |
| 13   | 855200     | ROULEMENT            | 211   |
| 14   | 971836     | COUVRE ROULEMENT     | 203   |
| 15   | 949217     | VIS                  | 201   |
| 16   | 971837     | FLASQUE              | 218   |
| 18   | 971853     | RESSORT              | 204   |
| 19   | 971839     | GUIDE DE RESSORT     | 204   |
| 20   | 947859     | RESSORT              | 202   |
| 21   | 956924     | PAPILLON             | 203   |
| 22   | 971840     | BLOC D'AJUSTAGE      | 205   |
| 23   | 971858     | RESSORT              | 203   |
| 24   | 962569     | RONDELLE             | 202   |
| 25   | 971841     | BASE COMPLETE        | 222   |
| 26   | 949380     | VIS                  | 201   |
| 27   | 971842     | VIS                  | 201   |
| 28   | 949555     | ECROU                | 201   |
| 29   | 971843     | VIS DE REGLAGE       | 204   |
| 30   | 971844     | BRAS D'AJUSTAGE      | 203   |
| 31   | 958573     | POIGNEE              | 204   |
| 32   | 956785     | INDEX                | 201   |
| 33   | 949558     | ECROU                | 201   |
| 34   | 949568     | ECROU                | 203   |
| 35   | 956786     | LEVIER               | 203   |
| 36   | 971846     | RONDELLE             | 203   |
| 37   | 670514     | CIRCLIPS             | 202   |
| 38   | 971847     | VIS                  | 205   |
| 39   | 971848     | PIECE D'ARRET        | 203   |
| 40   | 956777     | POIGNEE DROITE       | 206   |
| 41   | 956776     | POIGNEE GAUCHE       | 206   |
| 42   | 949247     | VIS                  | 201   |
| 43   | 949454     | RONDELLE GROWER      | 201   |
| 44   | 949424     | RONDELLE             | 201   |
| 45   | 971849     | COUVRE CARCASSE      | 211   |
| 46   | 956384     | VIS                  | 202   |
| 47   | 949423     | RONDELLE             | 201   |
| 48   | 945161     | COUVRE CHARBON       | 204   |
| 49   | 999043     | CHARBON              | 205   |
| 50   | 956789     | INTERRUPTEUR         | 216   |

| POS.                         | REFERENCES | DESIGNATIONS           | CODES |
|------------------------------|------------|------------------------|-------|
| 51                           | 953327     | ENTREE DE CABLE        | 203   |
| 52                           | 937631     | SERRE CABLE            | 201   |
| 53                           | 954004     | VIS                    | 203   |
| 54                           | 971828     | CONDENSATEUR           | 208   |
| 55                           | 200008     | CABLE                  | 213   |
| 60                           | 949234     | VIS                    | 201   |
| <u>A C C E S S O I R E S</u> |            |                        |       |
| 17                           | 971838     | MANDIN 1/4''           |       |
| 56                           | 935289     | CLE A FOURCHE          |       |
| 57                           | 949168     | CLE A FOURCHE          |       |
| 58                           | 971851     | GUIDE PARALLELE        |       |
| 59                           | 956790     | GUIDE A COPIER         |       |
|                              | 956932Z    | GUIDE A COPIER 20mm    |       |
|                              | 956933Z    | GUIDE A COPIER 27mm    |       |
|                              | 956934Z    | GUIDE A COPIER 30mm    |       |
|                              | 960129     | PLEXI PROTECTION       |       |
| 601                          | 971864     | AJUSTAGE MICROMETRIQUE |       |

