

## Vue éclatée modèle A25EB/EB(N)

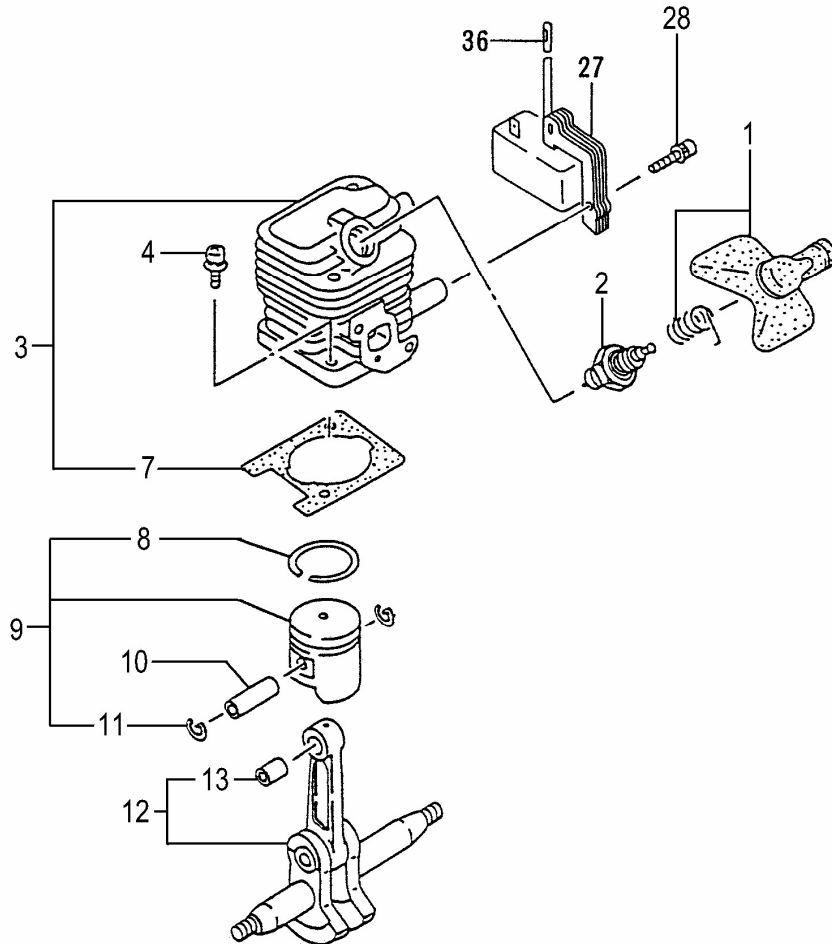
Serial n° XX

| ITEM N° | CODE N°       | DESCRIPTION                  | N° Use | x | x | x | x | x | x | x     |
|---------|---------------|------------------------------|--------|---|---|---|---|---|---|-------|
|         |               | <b>MODEL : A25EB</b>         |        |   |   |   |   |   |   | 0     |
|         |               | S01-01 CYLINDER/PISTON/CRANK |        |   |   |   |   |   |   | 0     |
| 001     | 157-06500-91  | SPARK PLUG CAP ASS'Y         | 1      |   |   |   |   |   |   | 0 *07 |
| 002     | 018-12710-20  | SPARK PLUG BPMR7A            | 1      |   |   |   |   |   |   | 0     |
| 003     | 001-0650A-90  | CYLINDER SET                 | 1      |   |   |   |   |   |   | 0     |
| 004     | 994-61050-184 | HEX. HOLE BOLT 5X18/S        | 2      |   |   |   |   |   |   | 0     |
| 007     | 017-06500-20  | CYLINDER GASKET              | 1      |   |   |   |   |   |   | 0     |
| 008     | 041-00601-21  | PISTON RING                  | 1      |   |   |   |   |   |   | 0     |
| 009     | 030-0650A-90  | PISTON SET                   | 1      |   |   |   |   |   |   | 0     |
| 010     | 037-06500-20  | PISTON PIN                   | 1      |   |   |   |   |   |   | 0     |
| 011     | 039-01620-20  | PISTON PIN CIRCLIP           | 2      |   |   |   |   |   |   | 0     |
| 012     | 046-0650A-80  | CRANK SHAFT COMP.            | 1      |   |   |   |   |   |   | 0     |
| 013     | 999-62081-225 | NEEDLE BRG F-810 1.4X8.5     | 1      |   |   |   |   |   |   | 0     |
| 027     | 167-21532-80  | IGNITION COIL COMP.          | 1      |   |   |   |   |   |   | 0     |
| 028     | 994-16040-186 | HIGH TENSION SCREW 4X18WS    | 2      |   |   |   |   |   |   | 0     |
| 036     | 250-06500-20  | INSULATOR TUBE, 50L          | 1      |   |   |   |   |   |   | 0     |
|         |               | S01-02 CRANK CASE            |        |   |   |   |   |   |   | 0     |
| 021     | 072-0650A-90  | CRANK CASE ASS'Y             | 1      |   |   |   |   |   |   | 0     |
| 022     | 090-06500-20  | CRANKCASE GASKET             | 1      |   |   |   |   |   |   | 0     |
| 023     | 999-66122-200 | OIL SEAL TB 12227            | 2      |   |   |   |   |   |   | 0     |
| 024     | 999-61600-115 | BALL BEARING 6001 C3         | 2      |   |   |   |   |   |   | 0     |
| 025     | 330-00200-21  | GEAR SHAFT SHIM 0.10         | V      |   |   |   |   |   |   | 0     |
| 025     | 330-00200-22  | GEAR SHAFT SHIM 0.15         | V      |   |   |   |   |   |   | 0     |
| 025     | 330-00200-23  | GEAR SHAFT SHIM 0.20         | V      |   |   |   |   |   |   | 0     |
| 025     | 330-00200-24  | GEAR SHAFT SHIM 0.30         | V      |   |   |   |   |   |   | 0     |
| 026     | 599-00601-20  | ANTI-VIBE RUBBER             | 1      |   |   |   |   |   |   | 0     |
| 030     | 994-61050-304 | HEX. HOLE BOLT 5X30S         | 3      |   |   |   |   |   |   | 0     |
| 031     | 155-21523-80  | MAGNETO ROTOR COMP.          | 1      |   |   |   |   |   |   | 0     |
| 032     | 992-01080-011 | WASHER 8                     | 1      |   |   |   |   |   |   | 0     |
| 033     | 992-10080-012 | S.WASHER 8                   | 1      |   |   |   |   |   |   | 0     |
| 034     | 991-01080-011 | HEX. NUT 8                   | 1      |   |   |   |   |   |   | 0     |
|         |               | S01-03 ENGINE-1              |        |   |   |   |   |   |   | 0     |
| 025     | 403-06500-20  | INTAKE PIPE GASKET           | 1      |   |   |   |   |   |   | 0     |
| 026     | 404-06500-90  | CARB. INSULATOR SET, SPARE   | 1      |   |   |   |   |   |   | 0     |
| 027     | 994-16050-252 | SCREW 5X25WS                 | 2      |   |   |   |   |   |   | 0     |
| 030     | 402-06500-20  | CARBURETOR GASKET            | 1      |   |   |   |   |   |   | 0     |
| 033     | 999-67015-000 | O-RING P-15                  | 1      |   |   |   |   |   |   | 0     |
| 035     | 423-06500-81  | CLEANER BODY COMP.           | 1      |   |   |   |   |   |   | 0     |
| 036     | 470-06500-20  | COLLAR 7.5                   | 2      |   |   |   |   |   |   | 0     |
| 037     | 528-06500-20  | CHOKE VALVE                  | 1      |   |   |   |   |   |   | 0     |
| 038     | 992-04080-031 | WAVE WASHER 8                | 1      |   |   |   |   |   |   | 0     |
| 039     | 476-01700-20  | BLOW OVER CHECK BOARD        | 1      |   |   |   |   |   |   | 0     |
| 040     | 992-10050-012 | S.WASHER 5                   | 2      |   |   |   |   |   |   | 0     |
| 041     | 990-11050-602 | SCREW 5X60                   | 2      |   |   |   |   |   |   | 0     |
| 043     | 446-06500-21  | CLEANER SPONGE               | 1      |   |   |   |   |   |   | 0     |
| 044     | 452-06500-91  | CLEANER COVER ASS'Y          | 1      |   |   |   |   |   |   | 0     |
| 045     | 380-0637C-20  | SPECIAL SCREW                | 1      |   |   |   |   |   |   | 0     |
| 046     | 455-0650A-90  | CARBURETOR SET WYL81         | 1      |   |   |   |   |   |   | 0     |
| 050     | 223-06500-90  | FUEL PIPE ASS'Y L=130        | 1      |   |   |   |   |   |   | 0     |
| 051     | 680-00731-20  | CLIP, 6.3 DIA.               | 1      |   |   |   |   |   |   | 0     |

| ITEM N° | CODE N°       | DESCRIPTION                | N° Use | x | x | x | x | x | x |
|---------|---------------|----------------------------|--------|---|---|---|---|---|---|
|         |               | <b>MODEL : A25EB</b>       |        |   |   |   |   |   | 0 |
| 052     | 675-04042-80  | PUMP FILTER BODY COMP.     | 1      |   |   |   |   |   | 0 |
| 053     | 591-0650A-21  | FUEL TANK, VERMILION       | 1      |   |   |   |   |   | 0 |
| 055     | 659-00801-20  | COLLAR 5.8                 | 2      |   |   |   |   |   | 0 |
| 058     | 994-63050-185 | HEX. HOLE BOLT 5X18PS      | 2      |   |   |   |   |   | 0 |
| 063     | 595-00093-90  | TANK CAP D ASS'Y ORANGE    | 1      |   |   |   |   |   | 0 |
| 086     | 626-32550-20  | TANK CAP CHAIN             | 1      |   |   |   |   |   | 0 |
|         |               | S01-04 ENGINE-2            |        |   |   |   |   |   | 0 |
| 003     | 738-0650A-20  | MUFFLER PROTECTOR          | 1      |   |   |   |   |   | 0 |
| 004     | 737-06500-20  | MUFFLER GASKET             | 1      |   |   |   |   |   | 0 |
| 005     | 133-06500-20  | HEAT SHIELD                | 1      |   |   |   |   |   | 0 |
| 006     | 704-0650B-90  | MUFFLER SET                | 1      |   |   |   |   |   | 0 |
| 007     | 992-01050-011 | WASHER 5                   | 2      |   |   |   |   |   | 0 |
| 008     | 990-51050-503 | HEX. HOLE BOLT 5X50        | 2      |   |   |   |   |   | 0 |
| 021     | 751-04200-20  | MUFFLER SPECIAL GASKET     | 1      |   |   |   |   |   | 0 |
| 022     | 721-0650C-90  | TALE PIPE SET              | 1      |   |   |   |   |   | 0 |
| 024     | 994-14040-081 | SCREW 4X8/S                | 2      |   |   |   |   |   | 0 |
| 061     | 990-72045-164 | TAPPING SCREW 4.5X16       | 1      |   |   |   |   |   | 0 |
| 062     | 994-25040-128 | BOLT 4X12PS                | 2      |   |   |   |   |   | 0 |
|         |               | S01-05 RECOIL STARTER      |        |   |   |   |   |   | 0 |
| 011     | 112-0650A-80  | FANCASE COMP., VERMILION   | 1      |   |   |   |   |   | 0 |
| 012     | 780-06097-20  | RECOIL SPRING              | 1      |   |   |   |   |   | 0 |
| 013     | 774-06097-20  | STARTER ROPE REEL          | 1      |   |   |   |   |   | 0 |
| 015     | 839-02010-20  | SET SCREW                  | 1      |   |   |   |   |   | 0 |
| 016     | 798-06500-90  | STARTER PULLEY ASS'Y       | 1      |   |   |   |   |   | 0 |
| 017     | 203-0604A-20  | GROMMET                    | 1      |   |   |   |   |   | 0 |
| 018     | 783-06097-20  | STARTER ROPE               | 1      |   |   |   |   |   | 0 |
| 019     | 785-06410-20  | STARTER HANDLE             | 1      |   |   |   |   |   | 0 |
| 020     | 994-15040-162 | SCREW 4X16/PS              | 3      |   |   |   |   |   | 0 |
| 065     | 790-06097-20  | STARTER PAWL SPRING        | 1      |   |   |   |   |   | 0 |
| 066     | 788-06500-20  | STARTER PAWL               | 1      |   |   |   |   |   | 0 |
|         |               | S01-06 CARBURETOR          |        |   |   |   |   |   | 0 |
| 001     | 548-25140-20  | THROTTLE SET SCREW         | 2      |   |   |   |   |   | 0 |
| 005     | 539-25120-20  | SWIVEL                     | 1      |   |   |   |   |   | 0 |
| 007     | 489-25100-20  | STOP RING                  | 1      |   |   |   |   |   | 0 |
| 010     | 550-25100-20  | O-RING                     | 1      |   |   |   |   |   | 0 |
| 011     | 599-2000W-40  | MAIN JET #40               | 1      |   |   |   |   |   | 0 |
| 013     | 577-25100-20  | PUMP GASKET                | 1      |   |   |   |   |   | 0 |
| 014     | 576-25100-20  | PUMP DIAPHRAGM             | 1      |   |   |   |   |   | 0 |
| 017     | 578-25007-20  | INLET SCREEN               | 1      |   |   |   |   |   | 0 |
| 018     | 575-25152-80  | PUMP BODY COMP.            | 1      |   |   |   |   |   | 0 |
| 019     | 475-25038-20  | DIAPHRAGM GASKET           | 1      |   |   |   |   |   | 0 |
| 020     | 474-25001-80  | METERING DIAPHRAGM COMP. # | 1      |   |   |   |   |   | 0 |
| 021     | 476-25004-20  | DIAPHRAGM COVER            | 1      |   |   |   |   |   | 0 |
| 022     | 548-25101-20  | SET SCREW                  | 4      |   |   |   |   |   | 0 |
|         |               | S01-07 PUMP-1              |        |   |   |   |   |   | 0 |
| 002     | 300-31249-20  | END PLATE A                | 1      |   |   |   |   |   | 0 |
| 008     | 999-67140-010 | O-RING G140                | 1      |   |   |   |   |   | 0 |
| 012     | 090-31249-20  | HANDLE A                   | 1      |   |   |   |   |   | 0 |
| 015     | 990-21050-250 | BOLT 5X25                  | 4      |   |   |   |   |   | 0 |
| 016     | 370-31249-20  | WASHER A                   | 4      |   |   |   |   |   | 0 |
| 021     | 991-83080-001 | FLANGE NUT 8               | 2      |   |   |   |   |   | 0 |
| 029     | 333-0650A-20  | COUPLING FLANGE            | 1      |   |   |   |   |   | 0 |
| 031     | 994-14060-161 | SCREW 6X16/S               | 4      |   |   |   |   |   | 0 |
| 035     | 885-0650A-80  | THROTTLE WIRE COMP. 4T     | 1      |   |   |   |   |   | 0 |

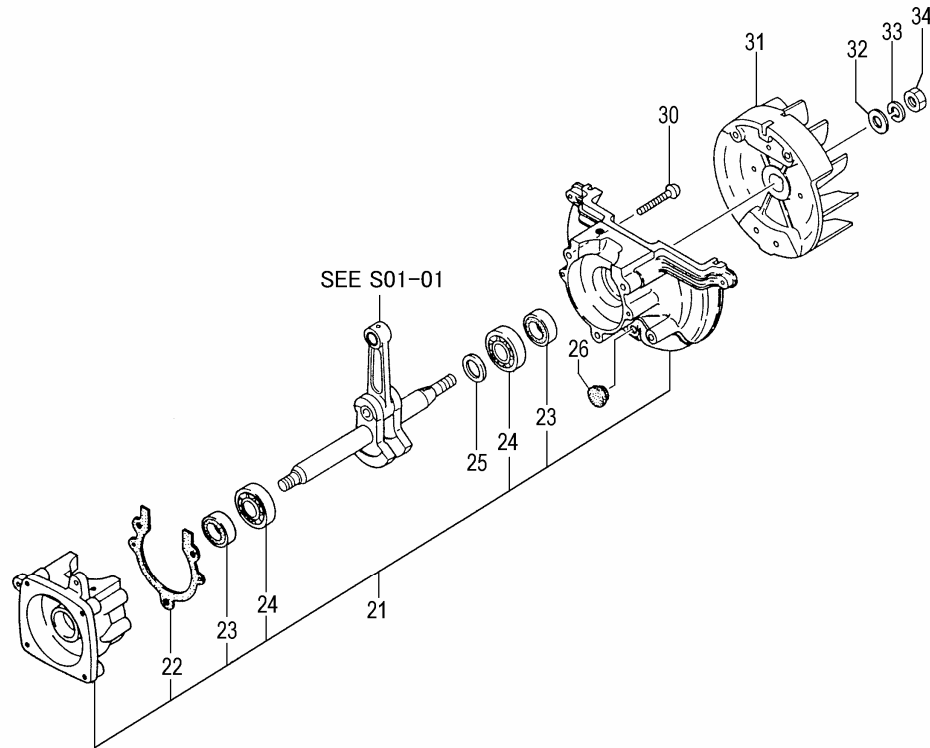


**S01-01 A25EB/25EB(N) CYLINDER/PISTON/CRANK SHAFT**



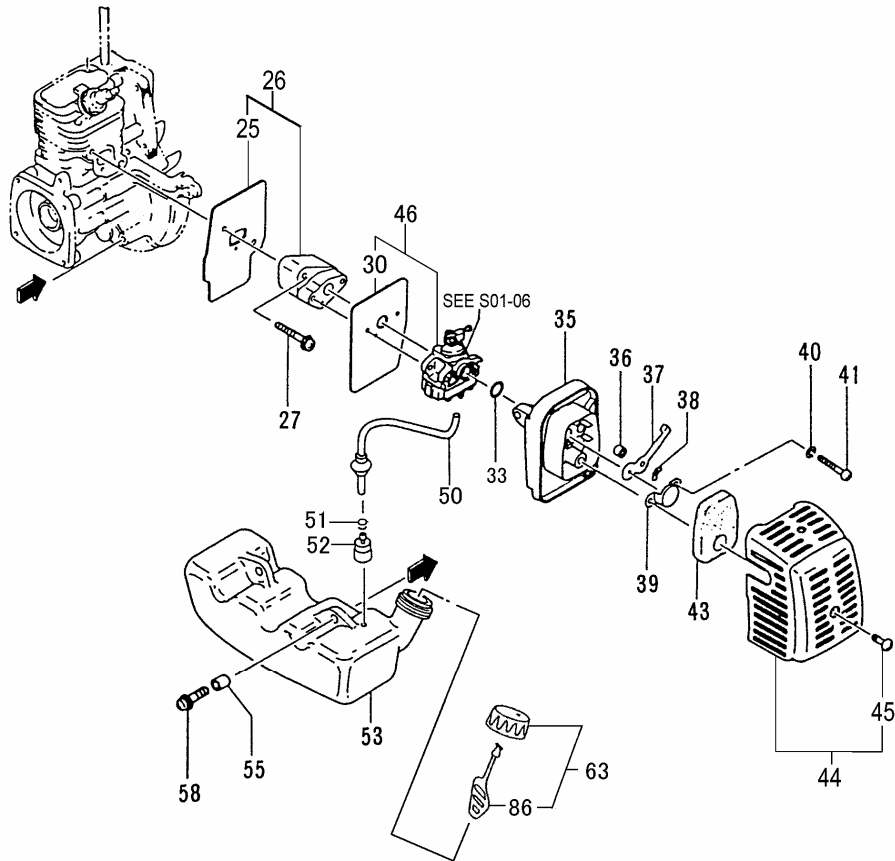
| REF. NUMBER | PARTS NUMBER  | DESCRIPTION              | Q'TY | SERIAL NUMBER |
|-------------|---------------|--------------------------|------|---------------|
| 001         | 157-06500-91  | SPARK PLUG CAP ASS'Y     | 1    |               |
| 002         | 018-12710-20  | SPARK PLUG BPMR7A        | 1    |               |
| 003         | 001-0650A-90  | CYLINDER SET             | 1    |               |
| 004         | 994-61050-184 | HEX. HOLE BOLT 5X18/S    | 2    |               |
| 007         | 017-06500-20  | CYLINDER GASKET          | 1    |               |
| 008         | 041-00601-21  | PISTON RING              | 1    |               |
| 009         | 030-0650A-90  | PISTON SET               | 1    |               |
| 010         | 037-06500-20  | PISTON PIN               | 1    |               |
| 011         | 039-01620-20  | PISTON PIN CIRCLIP       | 2    |               |
| 012         | 046-0650A-80  | CRANK SHAFT COMP.        | 1    |               |
| 013         | 999-62081-225 | NEEDLE BRG F-810 1.4X8.5 | 1    |               |
| 027         | 167-21532-80  | IGNITION COIL COMP.      | 1    |               |
| 028         | 994-16040-186 | HIGH TENSION SCREW 4X18  | 2    |               |
| 036         | 250-06500-20  | INSULATOR TUBE, 50L      | 1    |               |

**S01-02 A25EB/25EB(N) CRANK CASE**



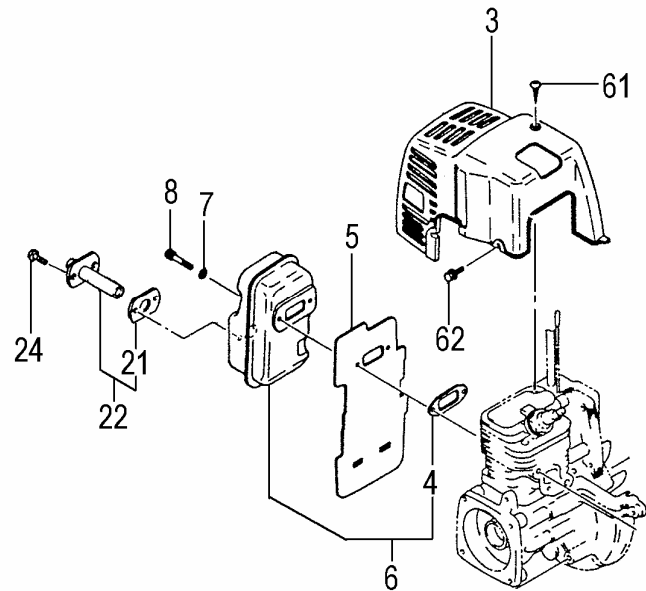
| REF. NUMBER | PARTS NUMBER  | DESCRIPTION          | Q'TY | SERIAL NUMBER |
|-------------|---------------|----------------------|------|---------------|
| 021         | 072-0650A-90  | CRANK CASE ASS'Y     | 1    |               |
| 022         | 090-06500-20  | CRANKCASE GASKET     | 1    |               |
| 023         | 999-66122-200 | OIL SEAL TB 12227    | 2    |               |
| 024         | 999-61600-115 | BALL BEARING 6001 C3 | 2    |               |
| 025         | 330-00200-21  | GEAR SHAFT SHIM 0.10 | V    |               |
| 025         | 330-00200-22  | GEAR SHAFT SHIM 0.15 | V    |               |
| 025         | 330-00200-23  | GEAR SHAFT SHIM 0.20 | V    |               |
| 025         | 330-00200-24  | GEAR SHAFT SHIM 0.30 | V    |               |
| 026         | 599-00601-20  | ANTI-VIBE RUBBER     | 1    |               |
| 030         | 994-61050-304 | HEX. HOLE BOLT 5X30S | 3    |               |
| 031         | 155-21523-80  | MAGNETO ROTOR COMP.  | 1    |               |
| 032         | 992-01080-011 | WASHER 8             | 1    |               |
| 033         | 992-10080-012 | S.WASHER 8           | 1    |               |
| 034         | 991-01080-011 | HEX. NUT 8           | 1    |               |

**S01-03 A25EB/25EB(N) ENGINE-1**



| REF. NUMBER | PARTS NUMBER  | DESCRIPTION             | Q'TY | SERIAL NUMBER |
|-------------|---------------|-------------------------|------|---------------|
| 025         | 403-06500-20  | INTAKE PIPE GASKET      | 1    |               |
| 026         | 404-06500-90  | CARB. INSULATOR SET,SPA | 1    |               |
| 027         | 994-16050-252 | SCREW 5X25WS            | 2    |               |
| 030         | 402-06500-20  | CARBURETOR GASKET       | 1    |               |
| 033         | 999-67015-000 | O-RING P-15             | 1    |               |
| 035         | 423-06500-81  | CLEANER BODY COMP.      | 1    |               |
| 036         | 470-06500-20  | COLLAR 7.5              | 2    |               |
| 037         | 528-06500-20  | CHOKE VALVE             | 1    |               |
| 038         | 992-04080-031 | WAVE WASHER 8           | 1    |               |
| 039         | 476-01700-20  | BLOW OVER CHECK BOARD   | 1    |               |
| 040         | 992-10050-012 | S.WASHER 5              | 2    |               |
| 041         | 990-11050-602 | SCREW 5X60              | 2    |               |
| 043         | 446-06500-21  | CLEANER SPONGE          | 1    |               |
| 044         | 452-06500-91  | CLEANER COVER ASS'Y     | 1    |               |
| 045         | 380-0637C-20  | SPECIAL SCREW           | 1    |               |
| 046         | 455-0650A-90  | CARBURETOR SET WYL81    | 1    |               |
| 050         | 223-06500-90  | FUEL PIPE ASS'Y L=130   | 1    |               |
| 051         | 680-00731-20  | CLIP, 6.3 DIA.          | 1    |               |
| 052         | 675-04042-80  | PUMP FILTER BODY COMP.  | 1    |               |
| 053         | 591-0650A-21  | FUEL TANK, VERMILION    | 1    |               |
| 055         | 659-00801-20  | COLLAR 5.8              | 2    |               |
| 058         | 994-63050-185 | HEX. HOLE BOLT 5X18PS   | 2    |               |
| 063         | 595-00093-90  | TANK CAP D ASS'Y ORANGE | 1    |               |
| 086         | 626-32550-20  | TANK CAP CHAIN          | 1    |               |

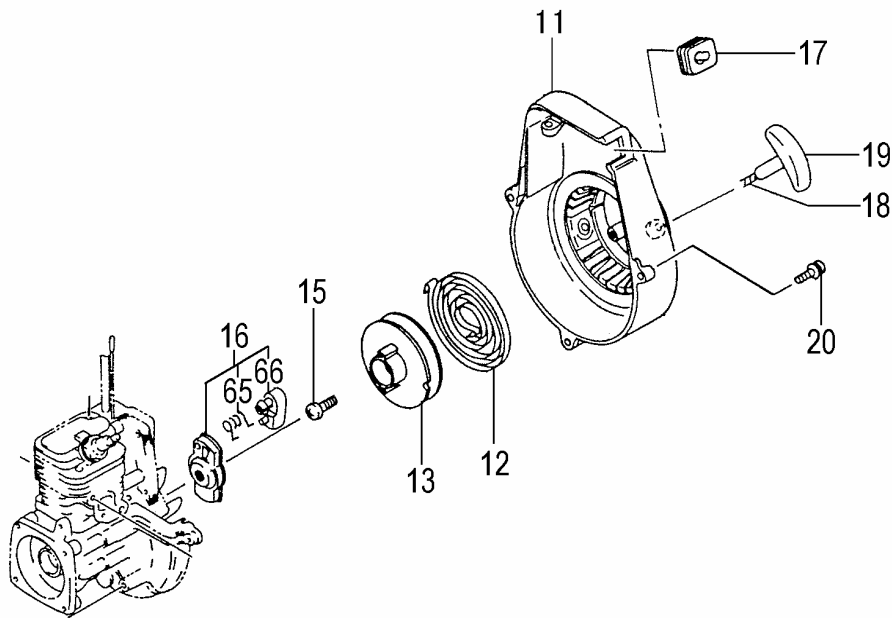
**S01-04 A25EB/25EB(N) ENGINE-2**



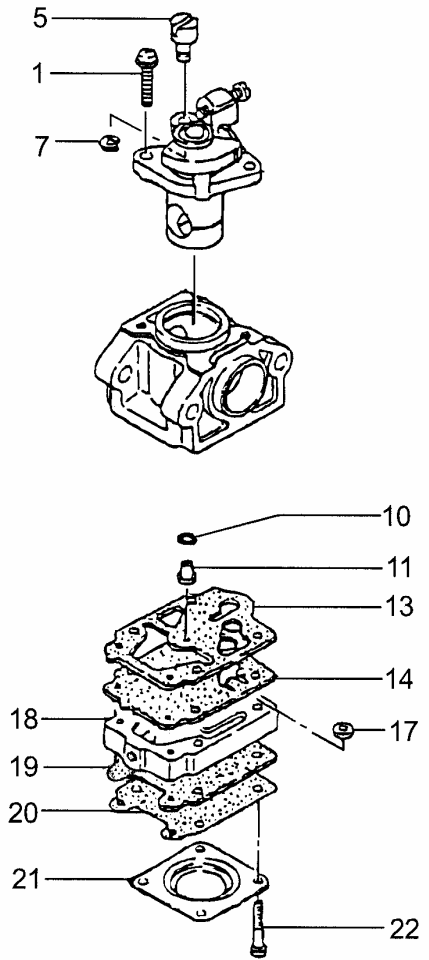
| REF. NUMBER | PARTS NUMBER  | DESCRIPTION            | Q'TY | SERIAL NUMBER |
|-------------|---------------|------------------------|------|---------------|
| 003         | 738-0650A-20  | MUFFLER PROTECTOR      | 1    |               |
| 004         | 737-06500-20  | MUFFLER GASKET         | 1    |               |
| 005         | 133-06500-20  | HEAT SHIELD            | 1    |               |
| 006         | 704-0650B-90  | MUFFLER SET            | 1    |               |
| 007         | 992-01050-011 | WASHER 5               | 2    |               |
| 008         | 990-51050-503 | HEX. HOLE BOLT 5X50    | 2    |               |
| 021         | 751-04200-20  | MUFFLER SPECIAL GASKET | 1    |               |
| 022         | 721-0650C-90  | TALE PIPE SET          | 1    |               |
| 024         | 994-14040-081 | SCREW 4X8/S            | 2    |               |
| 061         | 990-72045-164 | TAPPING SCREW 4.5X16   | 1    |               |
| 062         | 994-25040-128 | BOLT 4X12PS            | 2    |               |

**S01-05 A25EB/25EB(N) RECOIL STARTER**

| REF. NUMBER | PARTS NUMBER  | DESCRIPTION             | Q'TY | SERIAL NUMBER |
|-------------|---------------|-------------------------|------|---------------|
| 011         | 112-0650A-80  | FANCASE COMP., VERMILIO | 1    |               |
| 012         | 780-06097-20  | RECOIL SPRING           | 1    |               |
| 013         | 774-06097-20  | STARTER ROPE REEL       | 1    |               |
| 015         | 839-02010-20  | SET SCREW               | 1    |               |
| 016         | 798-06500-90  | STARTER PULLEY ASS'Y    | 1    |               |
| 017         | 203-0604A-20  | GROMMET                 | 1    |               |
| 018         | 783-06097-20  | STARTER ROPE            | 1    |               |
| 019         | 785-06410-20  | STARTER HANDLE          | 1    |               |
| 020         | 994-15040-162 | SCREW 4X16/PS           | 3    |               |
| 065         | 790-06097-20  | STARTER PAWL SPRING     | 1    |               |
| 066         | 788-06500-20  | STARTER PAWL            | 1    |               |

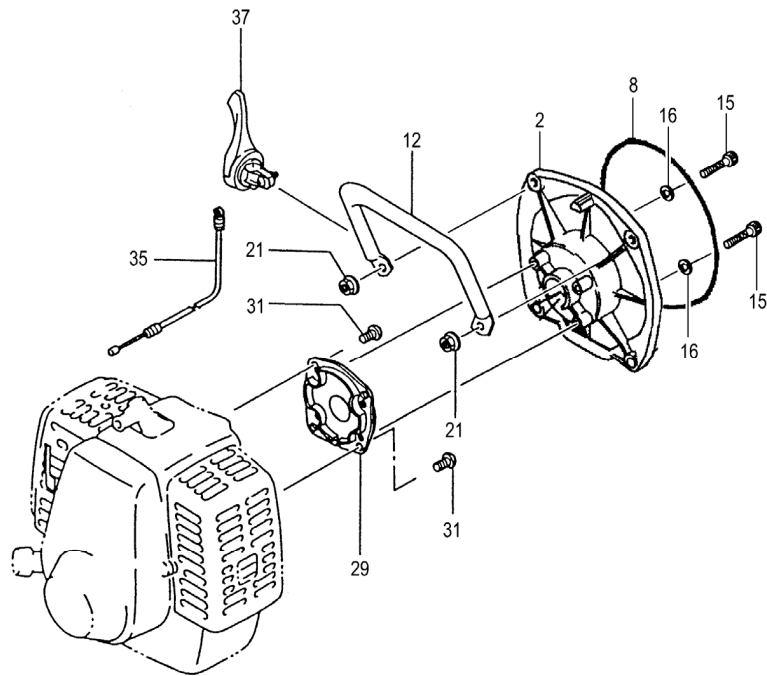


**S01-06 A25EB/25EB(N) CARBURETOR**



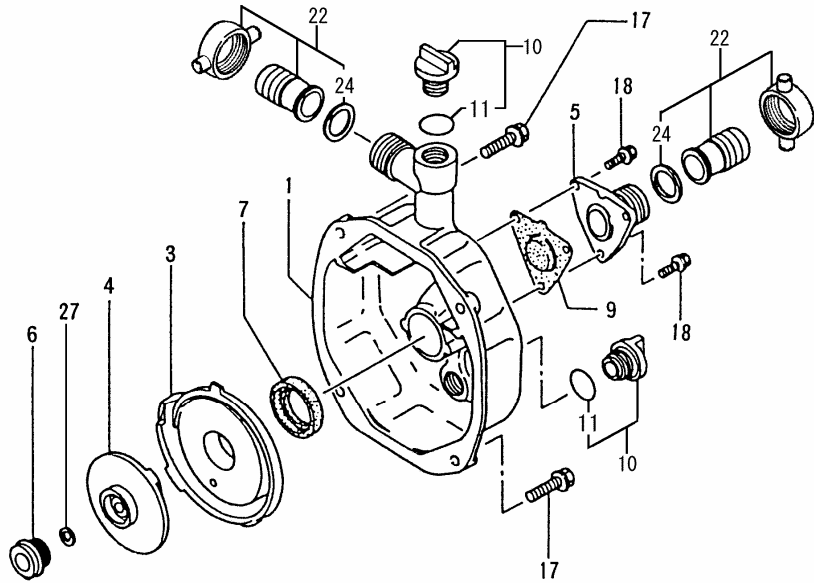
| REF. NUMBER | PARTS NUMBER | DESCRIPTION           | Q'TY | SERIAL NUMBER |
|-------------|--------------|-----------------------|------|---------------|
| 001         | 548-25140-20 | THROTTLE SET SCREW    | 2    |               |
| 005         | 539-25120-20 | SWIVEL                | 1    |               |
| 007         | 489-25100-20 | STOP RING             | 1    |               |
| 010         | 550-25100-20 | O-RING                | 1    |               |
| 011         | 599-2000W-40 | MAIN JET #40          | 1    |               |
| 013         | 577-25100-20 | PUMP GASKET           | 1    |               |
| 014         | 576-25100-20 | PUMP DIAPHRAGM        | 1    |               |
| 017         | 578-25007-20 | INLET SCREEN          | 1    |               |
| 018         | 575-25152-80 | PUMP BODY COMP.       | 1    |               |
| 019         | 475-25038-20 | DIAPHRAGM GASKET      | 1    |               |
| 020         | 474-25001-80 | METERING DIAPHRAGM CO | 1    |               |
| 021         | 476-25004-20 | DIAPHRAGM COVER       | 1    |               |
| 022         | 548-25101-20 | SET SCREW             | 4    |               |

**S01-07 A25EB/25EB(N) PUMP-1**



| REF. NUMBER | PARTS NUMBER  | DESCRIPTION             | Q'TY | SERIAL NUMBER |
|-------------|---------------|-------------------------|------|---------------|
| 002         | 300-31249-20  | END PLATE A             | 1    |               |
| 008         | 999-67140-010 | O-RING G140             | 1    |               |
| 012         | 090-31249-20  | HANDLE A                | 1    |               |
| 015         | 990-21050-250 | BOLT 5X25               | 4    |               |
| 016         | 370-31249-20  | WASHER A                | 4    |               |
| 021         | 991-83080-001 | FLANGE NUT 8            | 2    |               |
| 029         | 333-0650A-20  | COUPLING FLANGE         | 1    |               |
| 031         | 994-14060-161 | SCREW 6X16/S            | 4    |               |
| 035         | 885-0650A-80  | THROTTLE WIRE COMP. 4T  | 1    |               |
| 037         | 870-02201-91  | THROTTLE LEVER, 16 DIA. | 1    |               |

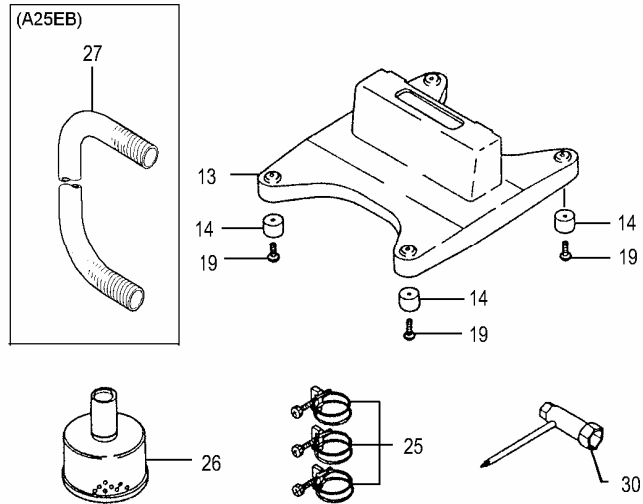
**S01-08 A25EB/25EB(N) PUMP-2**



| REF. NUMBER | PARTS NUMBER  | DESCRIPTION               | Q'TY | SERIAL NUMBER |
|-------------|---------------|---------------------------|------|---------------|
| 001         | 330-31249-20  | CASING A                  | 1    |               |
| 003         | 310-31249-20  | VOLUTE CHAMBER A          | 1    |               |
| 004         | 031-31249-20  | IMPELLER A                | 1    |               |
| 005         | 320-31249-20  | SUCTION PLATE A           | 1    |               |
| 006         | 160-31249-90  | MECHANICAL SEAL ASS'Y A   | 1    |               |
| 007         | 311-31249-20  | VOLUTE CHAMBER GASKET     | 1    |               |
| 009         | 350-31249-80  | SUCTION PALTE PACKING     | 1    |               |
| 010         | 360-31249-20  | PRIMER PLUG               | 2    |               |
| 011         | 999-67024-000 | O-RING, P-24              | 2    |               |
| 017         | 994-51080-350 | FLANGE BOLT 8X35          | 4    |               |
| 018         | 994-51060-160 | FLANGE BOLT 6X16          | 3    |               |
| 022         | 050-31249-90  | COUPLING ASS'Y            | 2    |               |
| 024         | 054-31249-20  | COUPLING PACKING          | 2    |               |
| 027         | 034-31249-20  | IMPELLER SHAFT SHIM A 0.3 | V    |               |

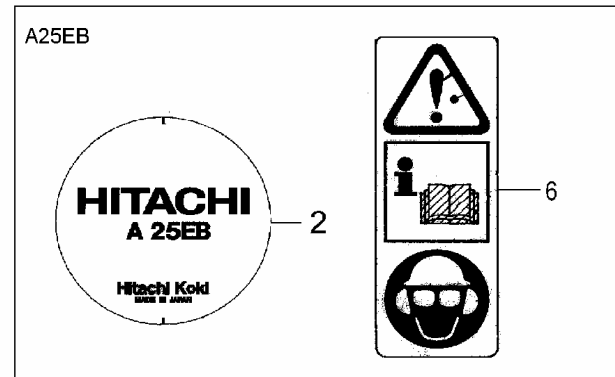
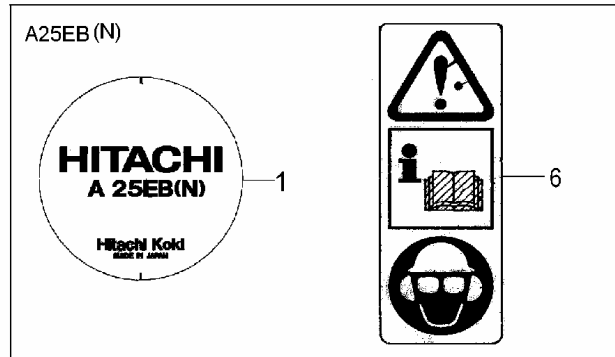
---

**S01-09 A25EB/25EB(N) BED/OPTIONAL PARTS**



| REF. NUMBER | PARTS NUMBER  | DESCRIPTION            | Q'TY | SERIAL NUMBER |
|-------------|---------------|------------------------|------|---------------|
| 013         | 080-31249-20  | BED A                  | 1    |               |
| 014         | 312-31249-20  | CUSHION RUBBER A       | 4    |               |
| 019         | 993-11051-402 | TAPPING SCREW 5X14     | 4    |               |
| 025         | 132-31249-20  | WIRE BAND A 25         | 3    |               |
| 026         | 100-31249-80  | FILTER COMP. A         | 1    |               |
| 027         | 180-31251-20  | SUCTION HOSE A 3M      | 1    |               |
| 030         | 829-20000-80  | COMBI BOX SPANNER 13X1 | 1    |               |

**S01-10 A25EB/25EB(N) LABELS**



| REF. NUMBER | PARTS NUMBER | DESCRIPTION         | Q'TY | SERIAL NUMBER |
|-------------|--------------|---------------------|------|---------------|
| 001         | 906-51750-20 | NAME PLATE A25EB(N) | 1    |               |
| 002         | 906-51751-20 | NAME PLATE A25EB    | 1    |               |
| 006         | 920-32172-20 | CAUTION MARK        | 1    |               |