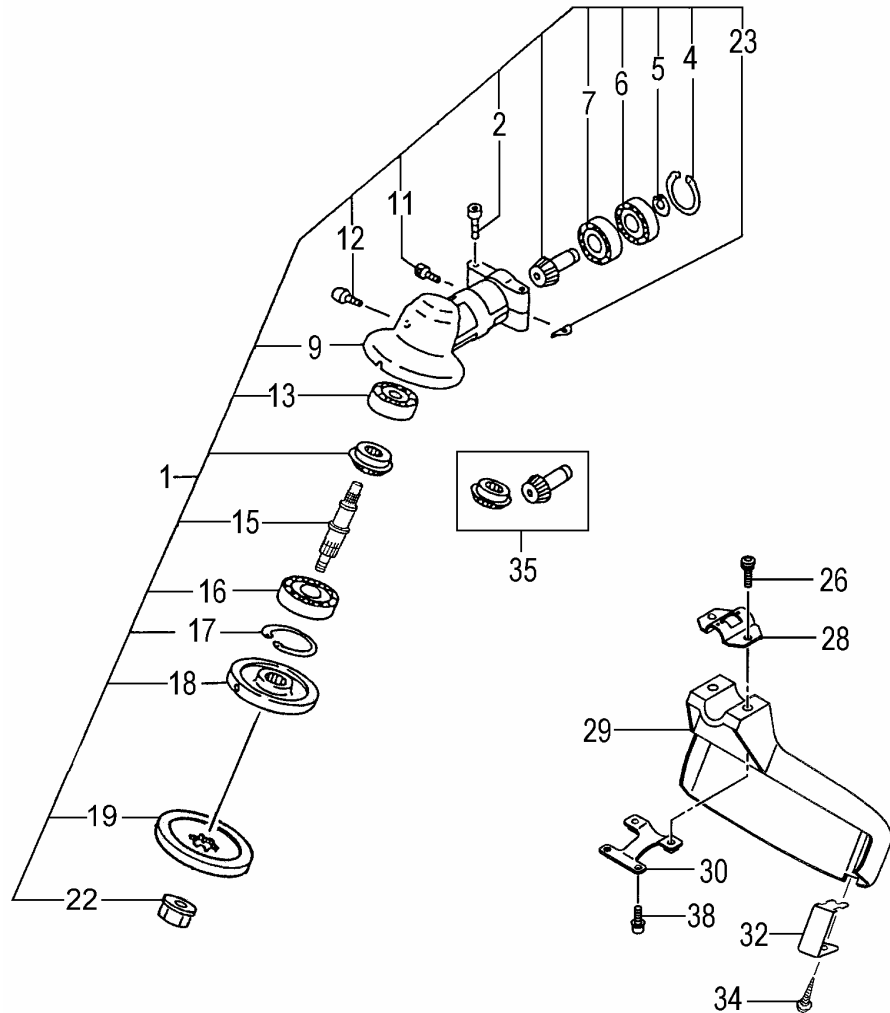


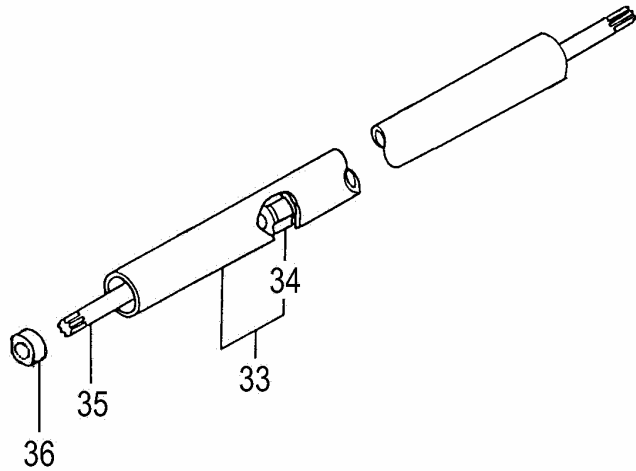


**B53-01**

**CG-GT GEAR CASE**



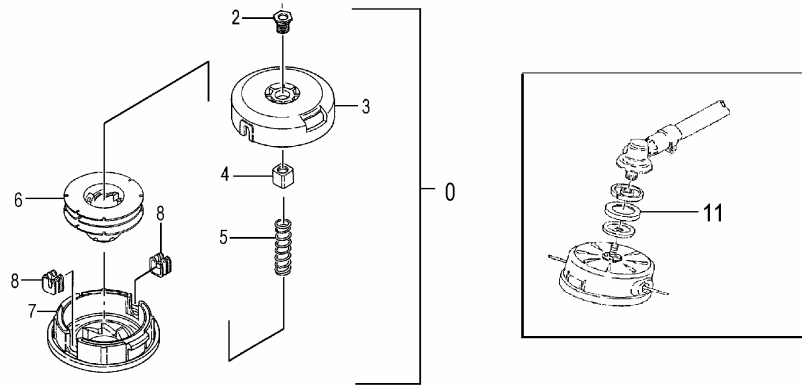
REF. NUMBER	PARTS NUMBER	DESCRIPTION	Q'TY	SERIAL NUMBER
001	300-37821-91	GEAR CASE ASSY 24	1	
002	994-61050-254	HEX. HOLE BOLT 5X25/S	2	
004	993-51022-002	STOP RING C-22, INNER	1	
005	993-57010-002	STOP RING OUTER 10	1	
006	999-61690-002	BALL BEARING	1	
007	999-61690-000	BALL BEARING 6900, 22MM/0	1	
009	300-38150-21	GEAR CASE 24	1	
011	994-61050-124	HEX. HOLE BOLT 5X12S	1	
012	316-38150-20	OILING BOLT	1	
013	999-61609-000	BALL BEARING 609	1	
015	304-3338R-20	GEAR SHAFT	1	
016	999-61620-103	BALL BEARING 6201D, 32MM	1	
017	993-51032-002	STOP RING C-32, INNER	1	
018	310-38150-20	CUTTER HOLDER	1	
019	311-38150-20	CUTTER HOLDER CAP	1	
022	313-38150-20	FIXING NUT M10X1.25	1	
023	324-38150-20	GEAR CASE WASHER	1	
026	994-81060-254	HEX. HOLE BUTTON SCREW	2	
028	442-37417-20	SAFETY GUARD BRACKET, 2	1	
029	441-38150-20	SAFETY COVER, 24 DIA.	1	
030	445-38150-20	SAFETY GUARD HOLDER	1	
032	797-38150-20	KNIFE	1	
034	993-17052-002	TAPPING SCREW 5X20	1	
035	301-38150-00	GEAR PINION SET SPARE	1	
038	994-61050-124	HEX. HOLE BOLT 5X12S	2	

**B53-02****CG-GT OPERATION PIPE**

REF. NUMBER	PARTS NUMBER	DESCRIPTION	Q'TY	SERIAL NUMBER
033	341-38466-80	DRIVE SHAFT PIPE 742L	1	
034	347-38360-90	BUSH ASS'Y	3	
035	036-38190-20	DRIVE SHAFT B 783L	1	
036	347-38466-20	BUSH	1	

**B53-03 CG-GT TOOLS**

REF. NUMBER	PARTS NUMBER	DESCRIPTION	Q'TY	SERIAL NUMBER
000	783-33832-90	NYLON HEAD/SURE TAP,M1	1	#
002	356-3383B-20	MOUNTING NUT L-M10X1.25	1	
003	786-33830-20	CUTTING BODY	1	
004	315-33830-20	SPECIAL NUT	1	
005	793-33830-20	REEL SPRING	1	
006	787-33830-20	SPOOL	1	
007	789-33830-20	CUTTING BODY CAP	1	
008	788-33830-20	EYELET	2	
011	307-37307-20	WINDING PROTECTOR	1	



**B53-04 CG-GT LABAELS**

REF. NUMBER	PARTS NUMBER	DESCRIPTION	Q'TY	SERIAL NUMBER
002	929-38232-21	SYMBOL MARK CG-GT	1	
008	919-38515-20	CAUTION MARK 9900RPM	1	

