

## Vue éclatée modèle CG HT

Serial n° xx

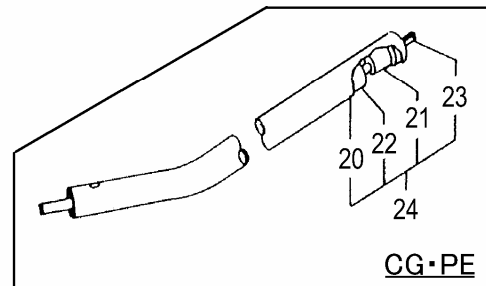
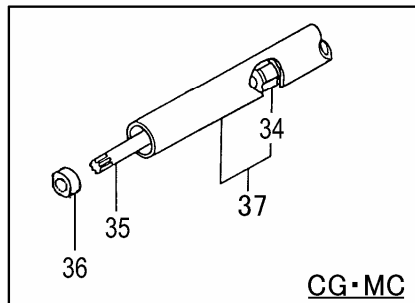
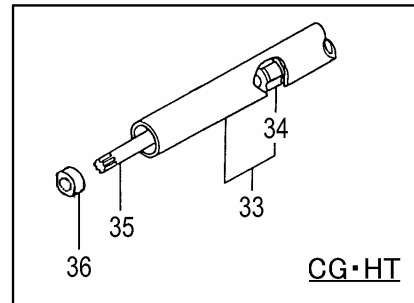
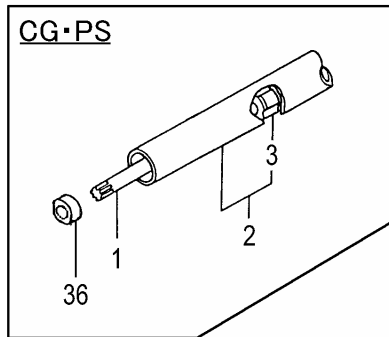
ITEM N°	CODE N°	DESCRIPTION	N° Used	x	x	x	x	x	x	x
		<b>MODEL : CGHT</b>								0
		S29-01 OPERATION PIPE								0
001	036-32489-20	DRIVE SHAFT B 1085L	1							0 *07
002	341-32489-80	DRIVE SHAFT COMP 1042L	1							0 73902
003	347-38360-90	BUSH ASS'Y	4							0 72301
020	341-37299-20	DRIVE SHAFT	1							0 33139
021	320-37290-20	SPACER	1							0 37344
022	350-37299-20	FLEXIBLE LINER	1							0
023	344-37299-20	FLEXIBLE SHAFT	1							0
024	353-37299-90	DRIVE SHAFT PIPE SET	1							0
033	341-32237-80	DRIVE SHAFT PIPE COMP 742L	1							0
034	347-38360-90	BUSH ASS'Y	4							0
035	036-38190-20	DRIVE SHAFT B 783L	1							0
036	347-38466-20	BUSH	1							0
037	341-38466-80	DRIVE SHAFT PIPE 742L	1							0
		S29-02 GEAR CASE (HT)								0
001	300-32287-21	GEAR CASE A,24 DIA	1							0
003	999-61690-101	BALL BEARING 6901ZZ, 24MM/OD	2							0
004	993-52012-002	STOP RING S-12, OUTER	1							0
005	993-51024-002	STOP RING C-24, INNER	1							0
006	999-61608-013	BALL BEARING 608 ZZ C3	1							0
007	993-51022-002	STOP RING C-22, INNER	1							0
008	300-32250-80	GREASE NIPPLE COMP.	3							0
011	990-51050-103	HEX. HOLE BOLT 5X10	1							0
012	994-61050-254	HEX. HOLE BOLT 5X25/S	1							0
013	990-53060-125	HEX. HOLE BOLT 6X12	2							0
014	871-32600-20	SPECIAL WASHER B	2							0
015	301-32286-21	GEAR CASE B	1							0
016	999-61600-014	BALL BEARING #6000 2RS C3	1							0
017	993-51026-002	STOP RING C-26, INNER	1							0
019	993-55060-000	STOP RING E-6	1							0
020	327-32280-20	GEAR CASE COVER A	1							0
022	990-51040-085	HEX HOLE BOLT 4X8	2							0
023	999-61608-013	BALL BEARING 608 ZZ C3	1							0
024	993-51022-002	STOP RING C-22, INNER	1							0
026	210-32286-20	HANDLE	1							0
029	990-53060-153	HEX HOLE BUTTON SCREW 6X15	2							0
030	088-32287-20	GREASE SEALED	1							0
035	302-32286-00	GEAR SET PN	1							0
036	512-32286-80	HANDLE KNOB A COMP.	1							0
041	990-23060-141	PLUS BOLT 6X14	1							0
042	991-87060-001	NUT 6 UPS-P	1							0
043	462-32286-20	SUPPORT PLATE	1							0
044	086-32286-20	GREASE SEAL B	1							0
046	992-01060-011	WASHER 6	1							0
		S29-03 BLADE (HT)								0
001	100-32282-81	CAM SHAFT COMP.	1							0
002	101-33160-22	CAM ROD	2							0
003	075-32280-20	CAM-ROD GUIDE PLATE	2							0

ITEM N°	CODE N°	DESCRIPTION	N° Used	x	x	x	x	x	x	x
		<b>MODEL : CGHT</b>								0
004	122-32286-21	CUTTER GUIDE 625.5MM	1							0
005	120-32287-21	CUTTER A	2							0
006	124-32287-20	FIXING BOLT A M6	1							0
007	129-33202-20	WASHER 7 BLACK	4							0
008	991-82060-001	FLANGE NUT 6	3							0
009	990-52060-165	HEX HOLE FLUSH SCREW 6X16	1							0
010	085-32286-20	GREASE SEAL A	2							0
011	105-32280-20	CAM-ROD HOLDING PLATE	1							0
012	328-32286-21	GEAR CASE COVER B	1							0
013	999-61608-013	BALL BEARING 608 ZZ C3	1							0
014	994-61040-104	HEX. HOLE BOLT 4X10S	2							0
015	994-61040-124	HEX. HOLE BOLT 4X12S	6							0
016	138-33168-20	CUTTER COVER	1							0
020	125-32287-20	CUTTER FIXING BOLT B	3							0
021	990-52060-255	HEX. HOLE FLUSH BOLT 6X25	1							0
022	087-32286-20	GREASE SEAL B	1							0
023	296-32286-20	SPACER	1							0
025	991-87060-001	NUT 6 UPS-P	1							0
026	992-01060-011	WASHER 6	1							0
		S29-04 GEAR CASE 1 (PS)								0
001	041-32304-20	OIL TANK COVER	1							0
002	031-32304-20	COLLAR 3	4							0
003	422-32304-21	OIL TANK GASKET	1							0
004	999-67005-000	O-RING P-5	1							0
005	382-32304-20	STEP BOLT A	1							0
006	071-32344-80	OIL PUMP COMP.	1							0
007	999-67005-000	O-RING P-5	1							0
008	449-32304-20	OIL PUMP SPRING	1							0
009	073-32304-81	OIL PUMP PISTON COMP.	1							0
011	700-53005-06	FUEL PIPE 3X5X60	1							0
012	994-16040-126	SMALL SCREW 4X12WS	4							0
013	992-01050-011	WASHER 5	1							0
014	487-32345-20	OIL FILTER	1							0
015	486-32345-90	FILTER ASS'Y	1							0
016	700-53005-07	FUEL PIPE 3X5X75	1							0
020	501-32304-21	OIL PUMP ADJUSTER	1							0
021	999-67005-000	O-RING P-5	1							0
022	993-55060-001	STOP RING E-6	1							0
030	624-32304-92	OIL TANK CAP ASS'Y	1							0
031	082-32304-20	BANJO, OIL PUMP	1							0
035	999-67015-000	O-RING P-15	1							0
040	992-30080-000	8 PUSH NUT	1							0
055	992-01020-011	WASHER 2	1							0
056	999-67001-413	O-RING 1.4	1							0
		S29-05 GEAR CASE 2 (PS)								0
010	994-61050-224	HEX. HOLE BOLT 5X22/S	1							0
017	990-51050-103	HEX. HOLE BOLT 5X10	1							0
018	994-31060-081	SCREW 6X8	1							0
023	019-32304-22	CASE	1							0
024	301-32344-00	GEAR PINION SET SPARE	1							0
025	999-61609-000	BALL BEARING 609	1							0
026	999-61609-002	BALL BEARING 609Z ST	1							0
027	993-50009-002	STOP RING C-9, OUTER	1							0

ITEM N°	CODE N°	DESCRIPTION	N° Used	x	x	x	x	x	x	x
		<b>MODEL : CGHT</b>								0
028	993-51024-002	STOP RING C-24, INNER	1							0
032	786-00601-20	STARTER PAWL WASHER	1							0
034	999-61627-000	BALL BEARING 627 C3	1							0
037	999-61638-001	BALL BEARING 638ZZ	1							0
038	993-51028-002	STOP RING C-28, INNER	1							0
039	319-32304-80	SPROCKET COMP., 3/8	1							0
040	991-82060-001	FLANGE NUT 6	1							0
041	039-32304-80	SIDE COVER COMP.	1							0
042	121-32600-20	CHAIN BAR CLAMP NUT	1							0
043	122-32344-21	CHAIN BAR KNOCK PIN	1							0
044	461-32344-20	GUIDE PLATE	1							0
045	101-32344-21	CHAIN BAR TIGHTENING BOLT	1							0
046	116-32304-90	CHAIN TENSIONER ASS'Y	1							0
047	452-32344-20	CAM	1							0
048	031-32344-20	COLLAR	1							0
050	127-32304-20	SAW CHAIN, 10 INCH, 3/8	1							0
051	110-72302-20	CHAIN BAR 10 3/8	1							0
056	941-32333-20	CHAIN COVER 10	1							0
057	883-32600-20	COMBI. BOX SPANNER 13X19 MINUS	1							0
		S29-06 GEAR CASE (PE)								0
030	991-06080-001	NUT 8/L.H.THREAD	1							0
031	992-01080-011	WASHER 8	1							0
032	311-37290-20	CUTTER HOLDER CAP	1							0
033	435-37290-20	CUTTING BLADE, 205MM	1							0
034	310-37290-22	CUTTER HOLDER	1							0
040	300-37290-90	GEAR CASE ASSY, 23.9	1							0
041	993-51032-002	STOP RING C-32, INNER	1							0
042	999-61620-103	BALL BEARING 6201D, 32MM/OD	1							0
043	304-37290-20	GEAR SHAFT	1							0
044	999-61628-000	BALL BEARING 628 ST	1							0
045	301-37290-00	GEAR-PINION SET, SPARE	1							0
046	994-23080-100	PLUS HEAD BOLT 8X10	1							0
047	324-33410-20	GEAR CASE WASHER	1							0
048	300-37290-21	GEAR CASE, 23.9 DIA.	1							0
049	990-51050-103	HEX. HOLE BOLT 5X10	1							0
050	994-61050-254	HEX. HOLE BOLT 5X25/S	1							0
053	999-61609-000	BALL BEARING 609	1							0
054	999-61609-002	BALL BEARING 609Z ST	1							0
055	993-50009-002	STOP RING C-9, OUTER	1							0
056	993-51024-002	STOP RING C-24, INNER	1							0
060	210-37290-80	LOCK HANDLE KNOB COMP.	1							0
071	992-10080-012	S.WASHER 8	1							0
072	992-01080-011	WASHER 8	1							0
073	120-37294-80	WHEEL	1							0
074	049-37294-20	COLLAR	1							0
075	441-37290-22	BLADE GUARD	1							0
076	314-37294-20	SPECIAL BOLT	1							0
077	481-37294-20	WHEEL STAY	1							0
078	992-10060-062	S.WASHER 6	2							0
079	990-53060-153	HEX HOLE BUTTON SCREW 6X15	2							0
080	442-37290-21	COVER BRACKET	1							0
081	445-37294-20	BLADE GUARD HOLDER	1							0
082	992-10060-062	S.WASHER 6	2							0

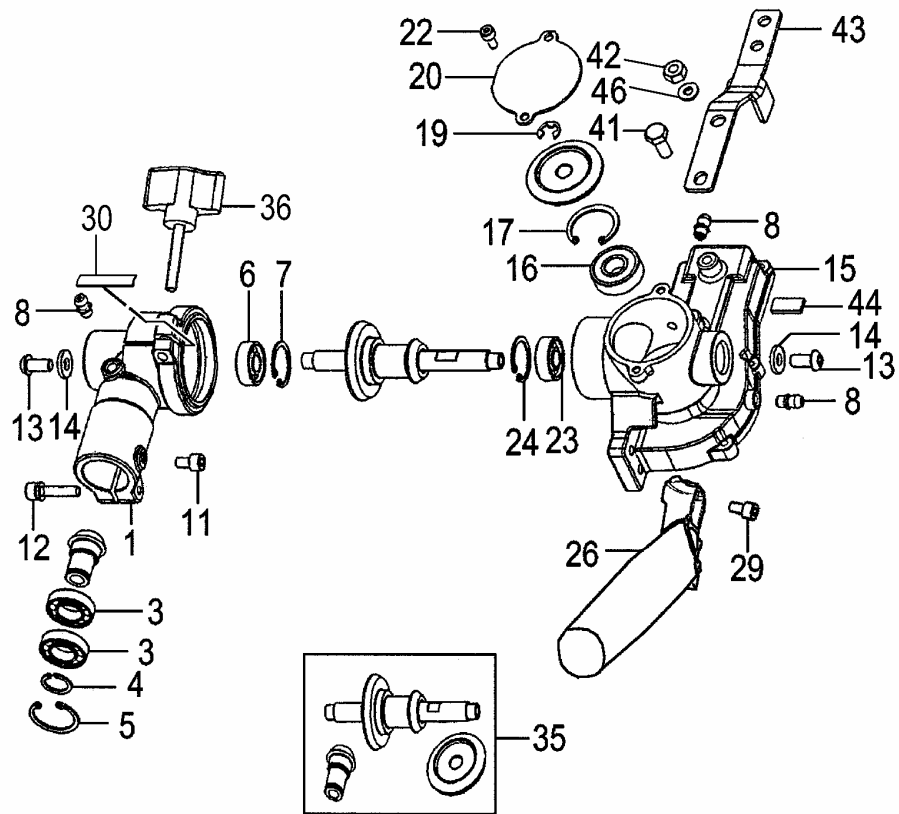
ITEM N°	CODE N°	DESCRIPTION	N° Used	x	x	x	x	x	x	x
		<b>MODEL : CGHT</b>								0
083	990-53060-353	HEX. HOLE BOLT 6X35	2							0
088	496-37290-20	MUD FLAP HOLDER	1							0
089	500-37290-20	MUD FLAP	1							0
090	994-61050-124	HEX. HOLE BOLT 5X12S	3							0
091	829-20000-80	COMBI BOX SPANNER 13X19 ,PLUS S29-07 GEAR CASE (MC)	1							0
001	400-39907-20	LOCK PIN	2							0
002	821-32203-20	SNAP PIN 8	2							0
003	990-21060-121	BOLT 6X12	6							0
004	992-10060-012	S.WASHER 6	6							0
005	820-39907-20	CUTTER	2							0
006	310-39907-20	CUTTER HOLDER	2							0
007	307-39907-20	PROTECTION COVER	2							0
008	999-66152-832	OIL SEAL UE15286	2							0
009	993-51028-002	STOP RING C-28, INNER	3							0
010	999-61690-200	BALL BEARING 6902, 28MM/OD	2							0
012	304-39907-20	DRIVE SHAFT	1							0
013	120-32201-20	WOOD-RUFF KEY 5X22X7X14	1							0
014	322-39907-20	GEAR CASE CAP	1							0
015	999-61600-101	BALL BEARING 6001ZZ, 28MM/OD	1							0
016	002-33130-20	WORM SHAFT	1							0
017	999-62122-669	THRUST WASHER 1226	1							0
018	999-62122-668	THRUST NEEDLE BRG 2X4.5	1							0
019	321-39907-20	STEP WASHER	1							0
020	999-61690-101	BALL BEARING 6901ZZ, 24MM/OD	1							0
021	990-21060-121	BOLT 6X12	1							0
022	727-01040-20	DRAIN GASKET	1							0
023	300-39909-20	GEAR CASE	1							0
024	990-21060-121	BOLT 6X12	1							0
025	992-10060-012	S.WASHER 6	2							0
026	990-21060-251	BOLT 6X25	1							0
027	249-0630G-20	SPACER	1							0
028	301-39909-20	GEAR WHEEL	1							0
029	318-39907-20	GEAR CASE GASKET	1							0
030	323-39907-20	GEAR CASE COVER	1							0
032	994-14050-101	SCREW 5X10/S	4							0
033	990-21060-181	BOLT 6X18	2							0
034	442-37325-20	COVER BRACKET, 26 DIA.	1							0
035	445-33140-20	COVER HOLDER	1							0
036	992-00060-011	SMALL WASHER 6	2							0
037	992-10060-012	S.WASHER 6	2							0
038	991-01060-011	NUT 6	2							0
039	441-39907-20	SAFETY COVER	1							0
042	994-15050-141	SCREW 5X14/PS	4							0
044	348-33130-20	COLLAR B	1							0
045	294-39909-20	COLLAR	1							0
046	801-20000-20	SPANNER 8X10 S29-08 LABELS	1							0
001	929-73902-21	SYMBOL MARK CG-HT	1							0
002	929-72302-20	SYMBOL MARK HITACHI	1							0
003	929-72301-21	SYMBOL MARK CG-PS	1							0
004	929-37344-21	SYMBOL MARK CG-PE	1							0
005	919-73800-20	CAUTION MARK HITACHI	1							0



**S29-01****CG-HT/PS/MC/PE DRAIVE SHAFT**

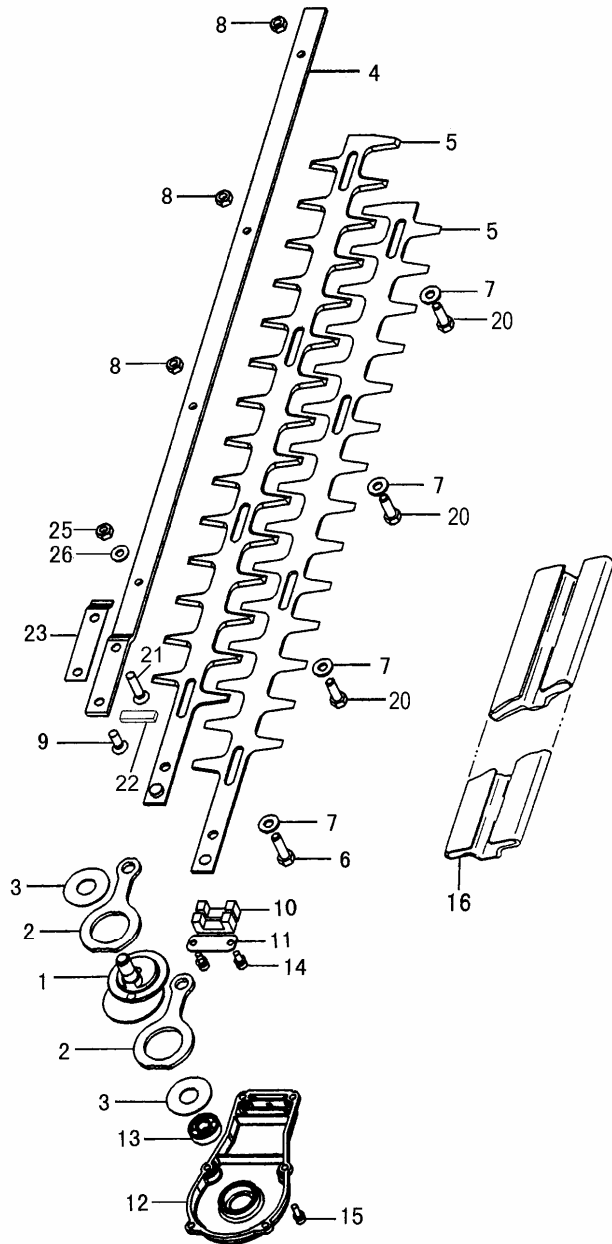
REF. NUMBER	PARTS NUMBER	DESCRIPTION	Q'TY	SERIAL NUMBER
001	036-32489-20	DRIVE SHAFT B 1085L	1	
002	341-32489-80	DRIVE SHAFT COMP 1042L	1	
003	347-38360-90	BUSH ASS'Y	4	
020	341-37299-20	DRIVE SHAFT	1	
021	320-37290-20	SPACER	1	
022	350-37299-20	FLEXIBLE LINER	1	
023	344-37299-20	FLEXIBLE SHAFT	1	
024	353-37299-90	DRIVE SHAFT PIPE SET	1	
033	341-32237-80	DRIVE SHAFT PIPE COMP 74	1	
034	347-38360-90	BUSH ASS'Y	4	
035	036-38190-20	DRIVE SHAFT B 783L	1	
036	347-38466-20	BUSH	1	
037	341-38466-80	DRIVE SHAFT PIPE 742L	1	

# S29-02 CG-HT GEAR CASE



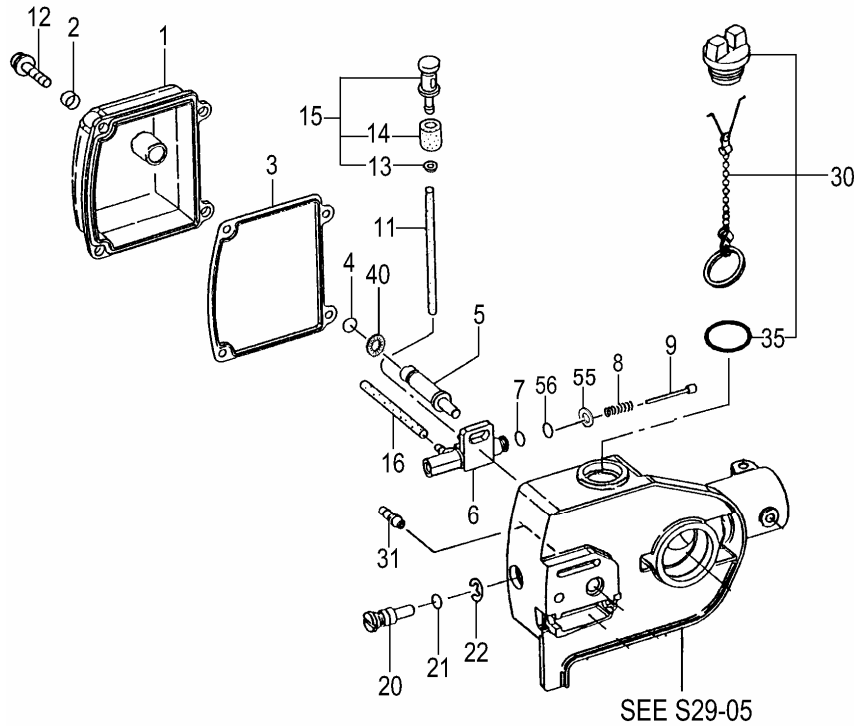
REF. NUMBER	PARTS NUMBER	DESCRIPTION	Q'TY	SERIAL NUMBER
001	300-32287-21	GEAR CASE A,24 DIA	1	
003	999-61690-101	BALL BEARING 6901ZZ, 24M	2	
004	993-52012-002	STOP RING S-12, OUTER	1	
005	993-51024-002	STOP RING C-24, INNER	1	
006	999-61608-013	BALL BEARING 608 ZZ C3	1	
007	993-51022-002	STOP RING C-22, INNER	1	
008	300-32250-80	GREASE NIPPLE COMP.	3	
011	990-51050-103	HEX. HOLE BOLT 5X10	1	
012	994-61050-254	HEX. HOLE BOLT 5X25/S	1	
013	990-53060-125	HEX. HOLE BOLT 6X12	2	
014	871-32600-20	SPECIAL WASHER B	2	
015	301-32286-21	GEAR CASE B	1	
016	999-61600-014	BALL BEARING #6000 2RS C	1	
017	993-51026-002	STOP RING C-26, INNER	1	
019	993-55060-000	STOP RING E-6	1	
020	327-32280-20	GEAR CASE COVER A	1	
022	990-51040-085	HEX HOLE BOLT 4X8	2	
023	999-61608-013	BALL BEARING 608 ZZ C3	1	
024	993-51022-002	STOP RING C-22, INNER	1	
026	210-32286-20	HANDLE	1	
029	990-53060-153	HEX HOLE BUTTON SCREW	2	
030	088-32287-20	GREASE SEALED	1	
035	302-32286-00	GEAR SET PN	1	
036	512-32286-80	HANDLE KNOB A COMP.	1	
041	990-23060-141	PLUS BOLT 6X14	1	
042	991-87060-001	NUT 6 UPS-P	1	
043	462-32286-20	SUPPORT PLATE	1	
044	086-32286-20	GREASE SEAL B	1	
046	992-01060-011	WASHER 6	1	

# S29-03 CG-HT BLAED



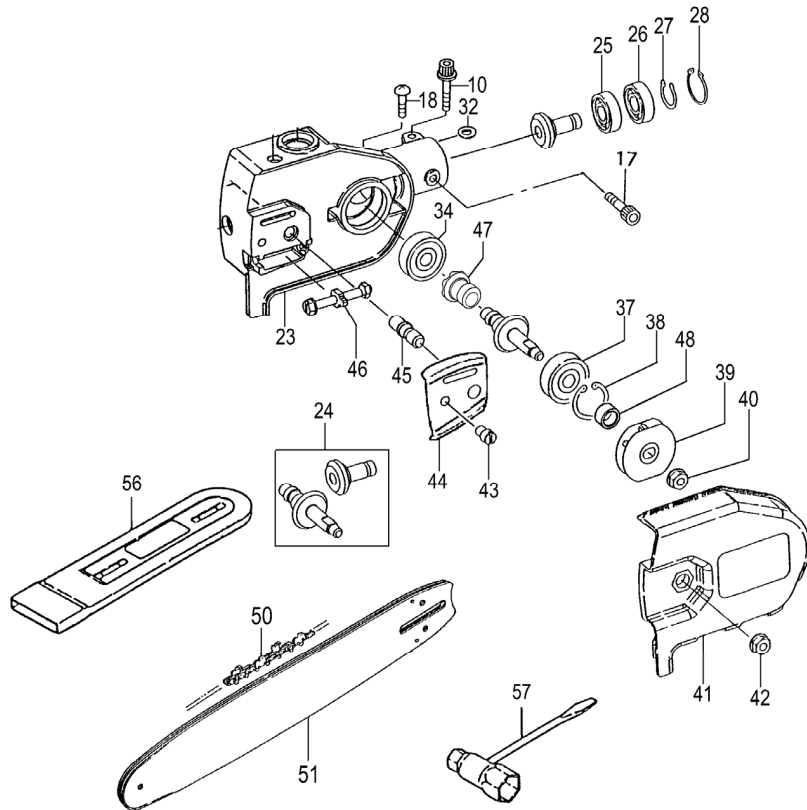
REF. NUMBER	PARTS NUMBER	DESCRIPTION	Q'TY	SERIAL NUMBER
001	100-32282-81	CAM SHAFT COMP.	1	
002	101-33160-22	CAM ROD	2	
003	075-32280-20	CAM-ROD GUIDE PLATE	2	
004	122-32286-21	CUTTER GUIDE 625.5MM	1	
005	120-32287-21	CUTTER A	2	
006	124-32287-20	FIXING BOLT A M6	1	
007	129-33202-20	WASHER 7 BLACK	4	
008	991-82060-001	FLANGE NUT 6	3	
009	990-52060-165	HEX HOLE FLUSH SCREW 6	1	
010	085-32286-20	GREASE SEAL A	2	
011	105-32280-20	CAM-ROD HOLDING PLATE	1	
012	328-32286-21	GEAR CASE COVER B	1	
013	999-61608-013	BALL BEARING 608 ZZ C3	1	
014	994-61040-104	HEX. HOLE BOLT 4X10S	2	
015	994-61040-124	HEX. HOLE BOLT 4X12S	6	
016	138-33168-20	CUTTER COVER	1	
020	125-32287-20	CUTTER FIXING BOLT B	3	
021	990-52060-255	HEX. HOLE FLUSH BOLT 6X2	1	
022	087-32286-20	GREASE SEAL B	1	
023	296-32286-20	SPACER	1	
025	991-87060-001	NUT 6 UPS-P	1	
026	992-01060-011	WASHER 6	1	

**S29-04 CG-PS GEAR CASE-1**



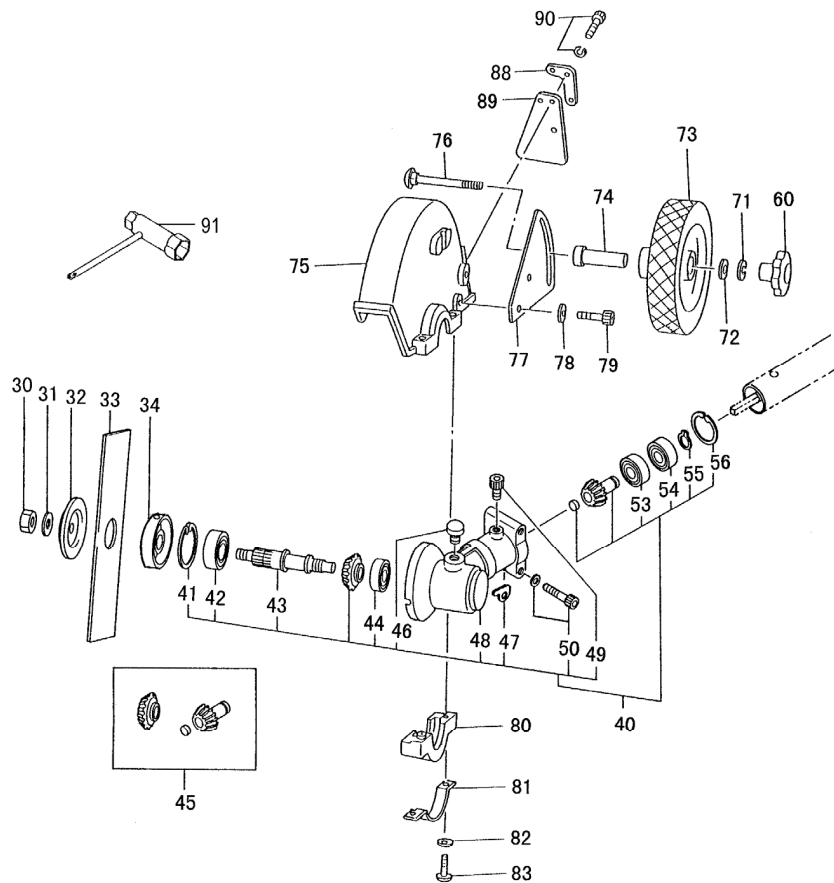
REF. NUMBER	PARTS NUMBER	DESCRIPTION	Q'TY	SERIAL NUMBER
001	041-32304-20	OIL TANK COVER	1	
002	031-32304-20	COLLAR 3	4	
003	422-32304-21	OIL TANK GASKET	1	
004	999-67005-000	O-RING P-5	1	
005	382-32304-20	STEP BOLT A	1	
006	071-32344-80	OIL PUMP COMP.	1	
007	999-67005-000	O-RING P-5	1	
008	449-32304-20	OIL PUMP SPRING	1	
009	073-32304-81	OIL PUMP PISTON COMP.	1	
011	700-53005-06	FUEL PIPE 3X5X60	1	
012	994-16040-126	SMALL SCREW 4X12WS	4	
013	992-01050-011	WASHER 5	1	
014	487-32345-20	OIL FILTER	1	
015	486-32345-90	FILTER ASS'Y	1	
016	700-53005-07	FUEL PIPE 3X5X75	1	
020	501-32304-21	OIL PUMP ADJUSTER	1	
021	999-67005-000	O-RING P-5	1	
022	993-55060-001	STOP RING E-6	1	
030	624-32304-92	OIL TANK CAP ASS'Y	1	
031	082-32304-20	BANJO, OIL PUMP	1	
035	999-67015-000	O-RING P-15	1	
040	992-30080-000	8 PUSH NUT	1	
055	992-01020-011	WASHER 2	1	
056	999-67001-413	O-RING 1.4	1	

**S29-05 CG-PS GEAR CASE-2**



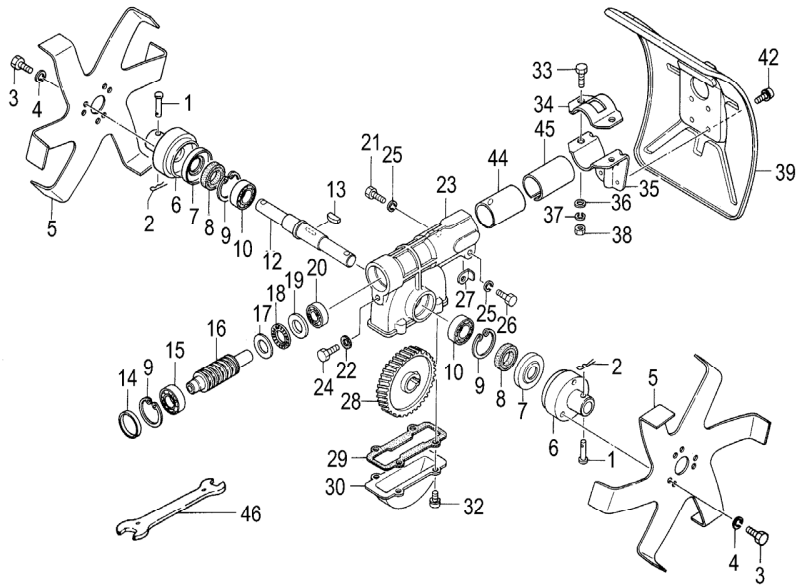
REF. NUMBER	PARTS NUMBER	DESCRIPTION	Q'TY	SERIAL NUMBER
010	994-61050-224	HEX. HOLE BOLT 5X22/S	1	
017	990-51050-103	HEX. HOLE BOLT 5X10	1	
018	994-31060-081	SCREW 6X8	1	
023	019-32304-22	CASE	1	
024	301-32344-00	GEAR PINION SET SPARE	1	
025	999-61609-000	BALL BEARING 609	1	
026	999-61609-002	BALL BEARING 609Z ST	1	
027	993-50009-002	STOP RING C-9, OUTER	1	
028	993-51024-002	STOP RING C-24, INNER	1	
032	786-00601-20	STARTER PAWL WASHER	1	
034	999-61627-000	BALL BEARING 627 C3	1	
037	999-61638-001	BALL BEARING 638ZZ	1	
038	993-51028-002	STOP RING C-28, INNER	1	
039	319-32304-80	SPROCKET COMP., 3/8	1	
040	991-82060-001	FLANGE NUT 6	1	
041	039-32304-80	SIDE COVER COMP.	1	
042	121-32600-20	CHAIN BAR CLAMP NUT	1	
043	122-32344-21	CHAIN BAR KNOCK PIN	1	
044	461-32344-20	GUIDE PLATE	1	
045	101-32344-21	CHAIN BAR TIGHTENING BO	1	
046	116-32304-90	CHIAN TENSIONER ASS'Y	1	
047	452-32344-20	CAM	1	
048	031-32344-20	COLLAR	1	
050	127-32304-20	SAW CHAIN, 10 INCH, 3/8	1	
051	110-72302-20	CHAIN BAR 10 3/8	1	
056	941-32333-20	CHAIN COVER 10	1	
057	883-32600-20	COMBI. BOX SPANNER 13X1	1	

# S29-06 CG-PE GEAR CASE



REF. NUMBER	PARTS NUMBER	DESCRIPTION	Q'TY	SERIAL NUMBER
030	991-06080-001	NUT 8/L.H.THREAD	1	
031	992-01080-011	WASHER 8	1	
032	311-37290-20	CUTTER HOLDER CAP	1	
033	435-37290-20	CUTTING BLADE,205MM	1	
034	310-37290-22	CUTTER HOLDER	1	
040	300-37290-90	GEAR CASE ASSY, 23.9	1	
041	993-51032-002	STOP RING C-32, INNER	1	
042	999-61620-103	BALL BEARING 6201D, 32MM	1	
043	304-37290-20	GEAR SHAFT	1	
044	999-61628-000	BALL BEARING 628 ST	1	
045	301-37290-00	GEAR-PINION SET, SPARE	1	
046	994-23080-100	PLUS HEAD BOLT 8X10	1	
047	324-33410-20	GEAR CASE WASHER	1	
048	300-37290-21	GEAR CASE, 23.9 DIA.	1	
049	990-51050-103	HEX. HOLE BOLT 5X10	1	
050	994-61050-254	HEX. HOLE BOLT 5X25/S	1	
053	999-61609-000	BALL BEARING 609	1	
054	999-61609-002	BALL BEARING 609Z ST	1	
055	993-50009-002	STOP RING C-9, OUTER	1	
056	993-51024-002	STOP RING C-24, INNER	1	
060	210-37290-80	LOCK HANDLE KNOB COMP	1	
071	992-10080-012	S.WASHER 8	1	
072	992-01080-011	WASHER 8	1	
073	120-37294-80	WHEEL	1	
074	049-37294-20	COLLAR	1	
075	441-37290-22	BLADE GUARD	1	
076	314-37294-20	SPECIAL BOLT	1	
077	481-37294-20	WHEEL STAY	1	
078	992-10060-062	S.WASHER 6	2	
079	990-53060-153	HEX HOLE BUTTON SCREW	2	
080	442-37290-21	COVER BRACKET	1	
081	445-37294-20	BLADE GUARD HOLDER	1	
082	992-10060-062	S.WASHER 6	2	
083	990-53060-353	HEX. HOLE BOLT 6X35	2	
088	496-37290-20	MUD FLAP HOLDER	1	
089	500-37290-20	MUD FLAP	1	
090	994-61050-124	HEX. HOLE BOLT 5X12S	3	
091	829-20000-80	COMBI BOX SPANNER 13X1	1	

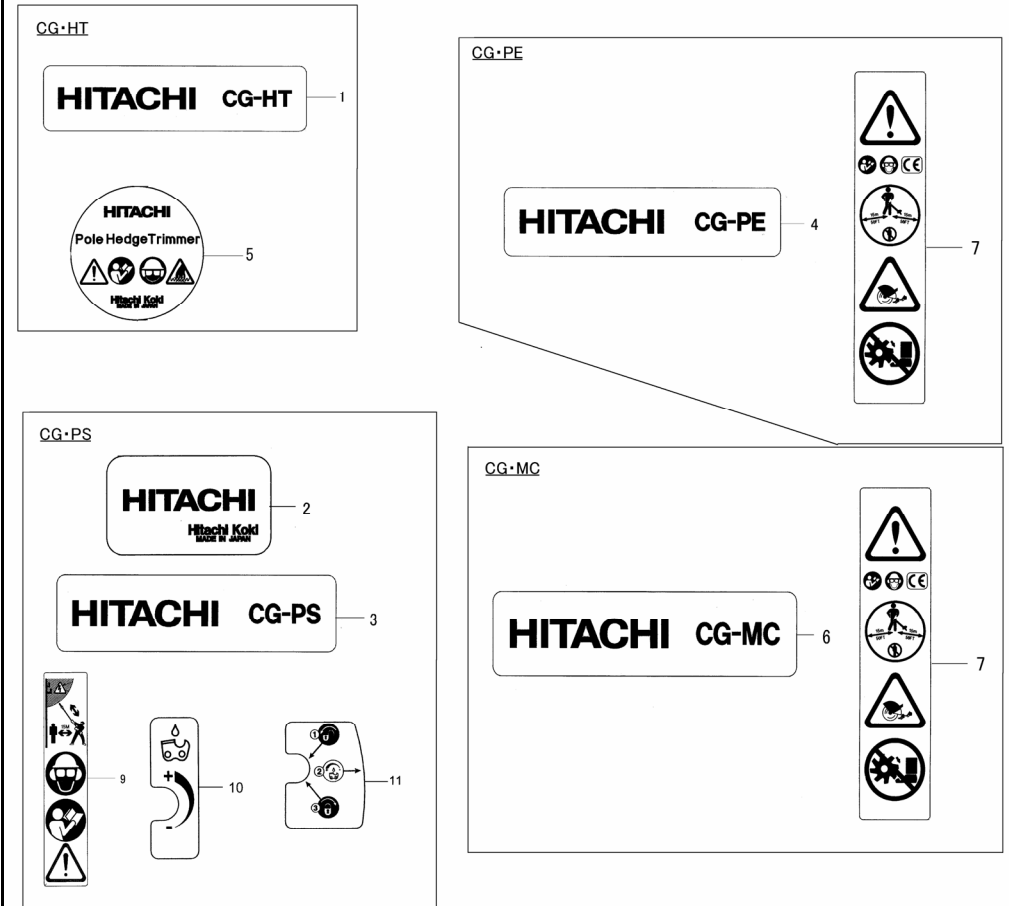
# S29-07 CG-MC GEAR CASE



REF. NUMBER	PARTS NUMBER	DESCRIPTION	Q'TY	SERIAL NUMBER
001	400-39907-20	LOCK PIN	2	
002	821-32203-20	SNAP PIN 8	2	
003	990-21060-121	BOLT 6X12	6	
004	992-10060-012	S.WASHER 6	6	
005	820-39907-20	CUTTER	2	
006	310-39907-20	CUTTER HOLDER	2	
007	307-39907-20	PROTECTION COVER	2	
008	999-66152-832	OIL SEAL UE15286	2	
009	993-51028-002	STOP RING C-28, INNER	3	
010	999-61690-200	BALL BEARING 6902, 28MM/1.125	2	
012	304-39907-20	DRIVE SHAFT	1	
013	120-32201-20	WOOD-RUFF KEY 5X22X7X1	1	
014	322-39907-20	GEAR CASE CAP	1	
015	999-61600-101	BALL BEARING 6001ZZ, 28MM/1.125	1	
016	002-33130-20	WORM SHAFT	1	
017	999-62122-669	THRUST WASHER 1226	1	
018	999-62122-668	THRUST NEEDLE BRG 2X4.5	1	
019	321-39907-20	STEP WASHER	1	
020	999-61690-101	BALL BEARING 6901ZZ, 24MM/0.9375	1	
021	990-21060-121	BOLT 6X12	1	
022	727-01040-20	DRAIN GASKET	1	
023	300-39909-20	GEAR CASE	1	
024	990-21060-121	BOLT 6X12	1	
025	992-10060-012	S.WASHER 6	2	
026	990-21060-251	BOLT 6X25	1	
027	249-0630G-20	SPACER	1	
028	301-39909-20	GEAR WHEEL	1	
029	318-39907-20	GEAR CASE GASKET	1	
030	323-39907-20	GEAR CASE COVER	1	
032	994-14050-101	SCREW 5X10/S	4	
033	990-21060-181	BOLT 6X18	2	
034	442-37325-20	COVER BRACKET, 26 DIA.	1	
035	445-33140-20	COVER HOLDER	1	
036	992-00060-011	SMALL WASHER 6	2	
037	992-10060-012	S.WASHER 6	2	
038	991-01060-011	NUT 6	2	
039	441-39907-20	SAFETY COVER	1	
042	994-15050-141	SCREW 5X14/PS	4	
044	348-33130-20	COLLAR B	1	
045	294-39909-20	COLLAR	1	
046	801-20000-20	SPANNER 8X10	1	

**S29-08**

**CG-HT/PS/MC/PE LABELS**



REF. NUMBER	PARTS NUMBER	DESCRIPTION	Q'TY	SERIAL NUMBER
001	929-73902-21	SYMBOL MARK CG-HT	1	
002	929-72302-20	SYMBOL MARK HITACHI	1	
003	929-72301-21	SYMBOL MARK CG-PS	1	
004	929-37344-21	SYMBOL MARK CG-PE	1	
005	919-73800-20	CAUTION MARK HITACHI	1	
006	929-33139-21	SYMBOL MARK CG-MC	1	
007	919-37299-20	CAUTION MARK	1	
009	907-32304-20	CAUTION MARK	1	
010	921-32345-20	OIL MARK	1	
011	922-32345-20	OIL ADJUSTMENT MARK	1	