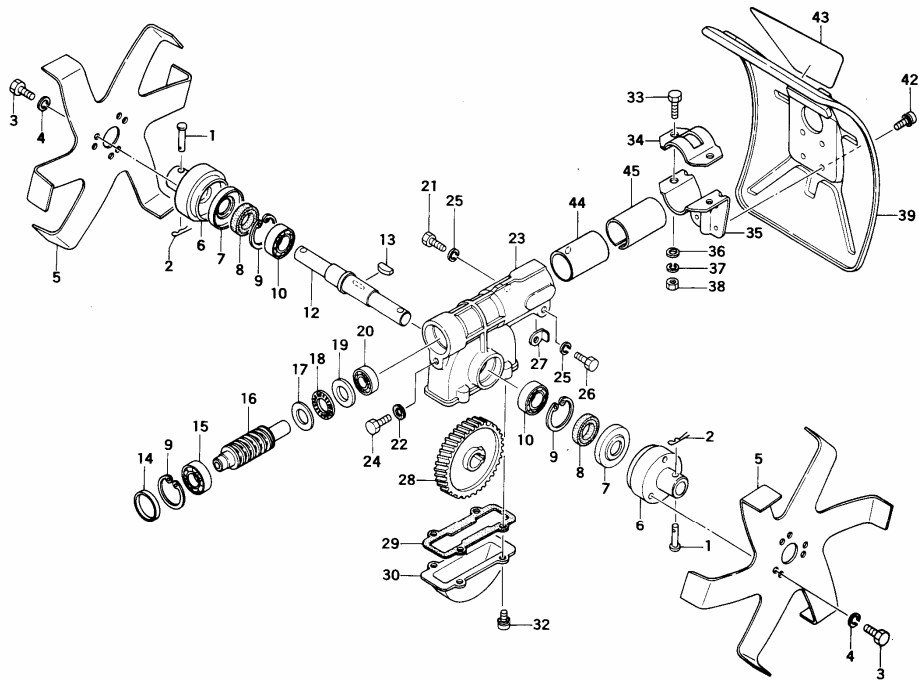


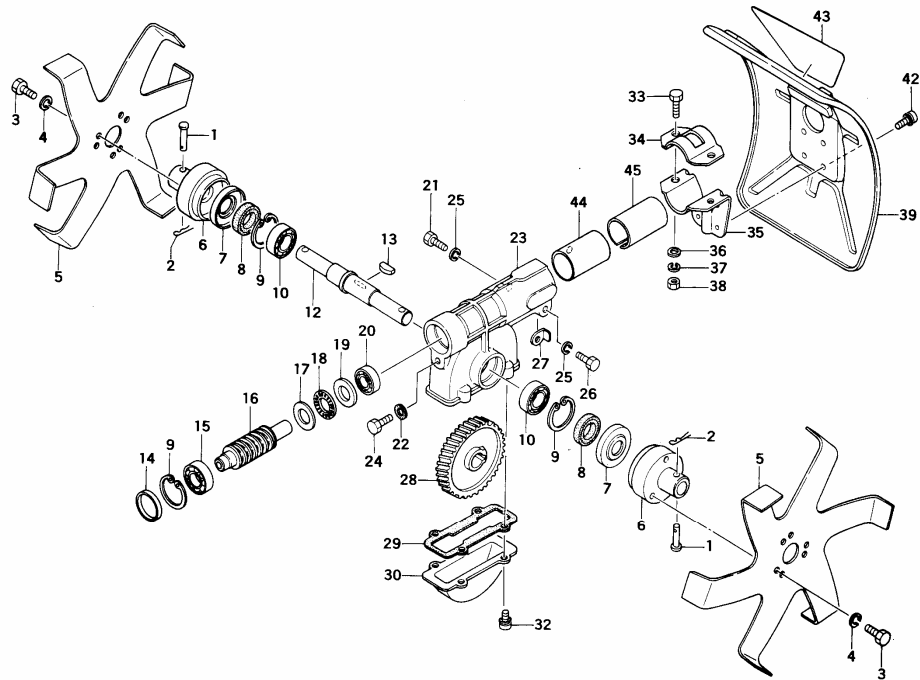


**S30-01 CG-MCB MINI CULTI**



REF. NUMBER	PARTS NUMBER	DESCRIPTION	Q'TY	SERIAL NUMBER
001	400-39907-20	LOCK PIN	2	
002	821-32203-20	SNAP PIN 8	2	
003	990-21060-121	BOLT 6X12	6	
004	992-10060-012	S.WASHER 6	6	
005	820-39907-20	CUTTER	2	
006	310-39907-20	CUTTER HOLDER	2	
007	307-39907-20	PROTECTION COVER	2	
008	999-66152-863	OIL SEAL 15286	2	
009	993-51028-002	STOP RING C-28, INNER	3	
010	999-61690-200	BALL BEARING 6902, 28MM/1.1016	2	
012	304-39907-20	DRIVE SHAFT	1	
013	120-32201-20	WOOD-RUFF KEY 5X22X7X1	1	
014	322-39907-20	GEAR CASE CAP	1	
015	999-61600-101	BALL BEARING 6001ZZ, 28MM/1.1016	1	
016	002-33130-20	WORM SHAFT	1	
017	999-62122-669	THRUST WASHER 1226	1	
018	999-62122-668	THRUST NEEDLE BRG 2X4.5	1	
019	321-39907-20	STEP WASHER	1	
020	999-61690-101	BALL BEARING 6901ZZ, 24MM/0.9449	1	
021	990-21060-121	BOLT 6X12	1	
022	727-01040-20	DRAIN GASKET	1	
023	300-39909-20	GEAR CASE	1	
024	990-21060-121	BOLT 6X12	1	
025	992-10060-012	S.WASHER 6	2	
026	990-21060-251	BOLT 6X25	1	
027	249-0630G-20	SPACER	1	
028	301-39909-20	GEAR WHEEL	1	
029	318-39907-20	GEAR CASE GASKET	1	
030	323-39907-20	GEAR CASE COVER	1	
032	994-14050-101	SCREW 5X10/S	4	
033	990-21060-181	BOLT 6X18	2	
034	442-37325-20	COVER BRACKET, 26 DIA.	1	
035	445-33140-20	COVER HOLDER	1	
036	992-00060-011	SMALL WASHER 6	2	
037	992-10060-012	S.WASHER 6	2	
038	991-01060-011	NUT 6	2	
039	441-39907-20	SAFETY COVER	1	
042	994-15050-141	SCREW 5X14/PS	4	
043	906-33138-20	NAME PLATE CG-MCB	1	

**B61-02 CG-MCB MINI CULTI**



REF. NUMBER	PARTS NUMBER	DESCRIPTION	Q'TY	SERIAL NUMBER
044	348-33130-20	COLLAR B	1	
045	294-39909-20	COLLAR	1	