

Vue éclatée modèle CG 33EJ - débroussailleuse

Serial n° xx

ITEM N°	CODE N°	DESCRIPTION	N° Use	x	x	x	x	x	x
		MODEL:CG33EJ							0
		B37-01 CYLINDER/PISTON/CRANK							0
001	018-04221-20	SPARK PLUG RCJ-6Y	1						0 *07
002	001-07031-91	CYLINDER SET	1						0 48346
003	994-61050-164	HEX. HOLE BOLT 5X16S	4						0 48347
004	017-07020-20	CYLINDER GASKET	1						0 48348
005	041-01730-20	PISTON RING	2						0
006	030-07030-91	PISTON SET	1						0
007	037-01400-20	PISTON PIN	1						0
008	039-00000-20	PISTON PIN CIRCLIP	2						0
011	046-0703A-81	CRANK SHAFT COMP	1						0
012	999-62091-325	NEEDLE BRG F-910 1.4X8.5	1						0
013	068-10100-20	WOOD-RUFF KEY 3X13X4.5	1						0
030	994-64040-184	HEX. HOLE BOLT 4X18WS	2						0
033	250-07020-20	INSULATOR TUBE, 110L	1						0
043	167-20549-80	IGNITION COIL COMP	1						0
050	167-20549-91	IGNITION COIL ASS'Y	1						0
055	178-20549-20	HIGH TENSION CORD 140L	1						0
056	560-20517-20	RUBBER CAP	1						0
057	191-07025-90	REED WIRE ASS'Y	1						0
060	182-0186A-20	WASHER	2						0
		B37-02 CRANK CASE							0
014	072-07020-90	CRANK CASE ASS'Y	1						0
015	999-66122-200	OIL SEAL TB 12227	2						0
016	999-61600-115	BALL BEARING 6001 C3	2						0
017	090-07020-20	CRANK CASE GASKET	1						0
018	330-00200-21	GEAR SHAFT SHIM 0.10	V						0
018	330-00200-22	GEAR SHAFT SHIM 0.15	V						0
018	330-00200-23	GEAR SHAFT SHIM 0.20	V						0
018	330-00200-24	GEAR SHAFT SHIM 0.30	V						0
024	155-20549-80	MAGNETO ROTOR COMP.	1						0
025	991-01080-011	HEX. NUT 8	1						0
027	992-00080-011	SMALL WASHER 8	1						0
032	994-61050-164	HEX. HOLE BOLT 5X16S	3						0
		B37-03 ENGINE-1							0
080	403-0143C-21	INLET MANIFOLD GASKET	1						0
081	404-0143C-90	CARBURETOR INSULATOR SET, SPAR	1						0
082	994-64050-224	HEX.HOLE BOLT 5X22/WS	2						0
085	402-0656A-20	CARBURETOR GASKET	1						0
086	528-07020-22	CHOKE PLATE 1.0	1						0
088	423-0652N-80	CLEANER BODY COMP.	1						0
089	446-0652N-20	CLEANER SPONGE	1						0
090	452-07035-90	CLEANER COVER ASS'Y	1						0
091	450-07024-80	COVER FIXING BOLT	1						0
094	994-14050-571	SCREW 5X57/S	2						0
096	992-00050-011	SMALL WASHER 5	2						0
098	455-07037-90	CARBURETOR SET WYJ296	1						0
099	523-0652N-20	CHOKE CONTROL LEVER	1						0
100	591-07034-80	TANK COMP. OR	1						0

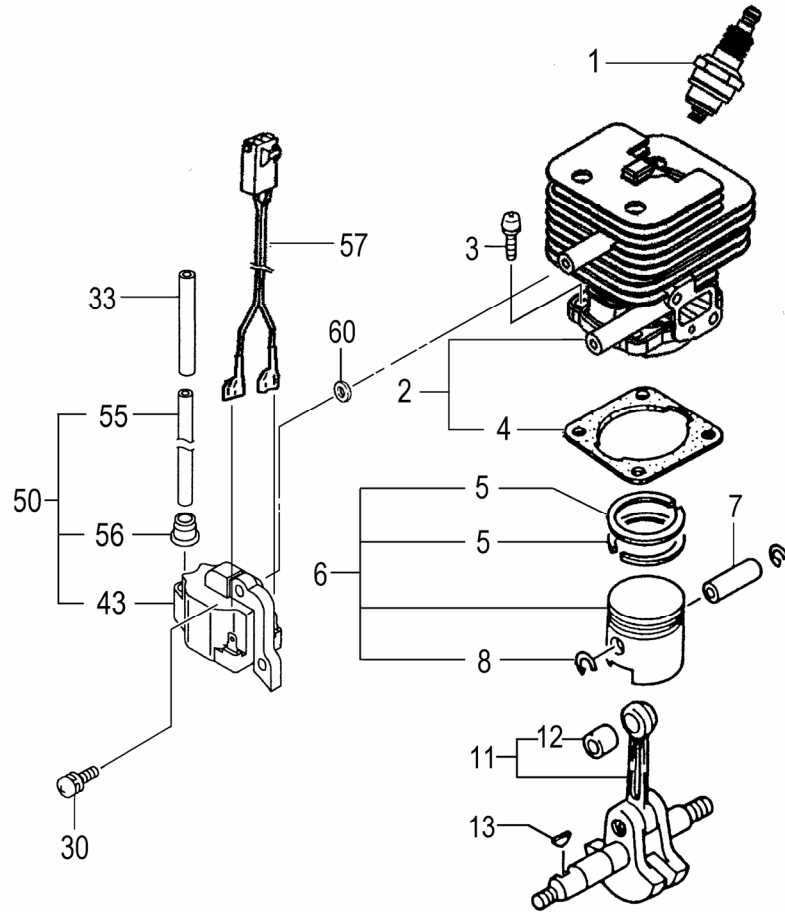
ITEM N°	CODE N°	DESCRIPTION	N° Use	x	x	x	x	x	x	x
		MODEL:CG33EJ								0
109	659-04300-20	COLLAR C	3							0
110	222-06300-20	FUEL PIPE GROMMET	1							0
111	700-03005-08	FUEL PIPE 3X5X80	1							0
112	675-04042-80	PUMP FILTER BODY COMP.	1							0
113	680-00731-20	CLIP, 6.3 DIA.	1							0
114	223-0162V-90	FUEL PIPE ASS'Y	1							0
116	994-63050-205	HEX HOLE BOLT 5X20PS	3							0
117	595-01690-90	TANK CAP ASS'Y (BLACK)	1							0
118	990-75040-154	TAPPING SCREW 4X15	1							0
119	992-01040-011	WASHER 4	1							0
120	941-07035-20	STAND	1							0
200	626-32550-20	TANK CAP CHAIN	1							0
		B37-04 ENGINE-2								0
035	290-0138A-80	CLUTCH ARM COMP.	2							0
036	342-0138A-20	CLUTCH SPRING	1							0
037	359-10112-20	CLUTCH WASHER B	2							0
039	992-04100-030	WAVE WASHER 10	4							0
040	357-0136U-20	CLUTCH STEP BOLT	2							0
042	993-50012-002	STOP RING C-12, OUTER	1							0
043	112-07021-81	FAN CASE COMP.	1							0
045	990-73045-124	TAPPING SCREW 4.5X12	1							0
046	994-64050-154	HEX. HOLE BOLT 5X15WS	4							0
047	599-07020-20	ANTI-VIBE RUBBER	2							0
048	990-72050-144	TAPPING SCREW 5X14	4							0
052	360-07030-20	PIPE HOLDER	1							0
053	994-61050-254	HEX. HOLE BOLT 5X25/S	1							0
054	994-61040-124	HEX. HOLE BOLT 4X12S	1							0
058	289-07031-80	CLUTCH SHAFT COMP. 78	1							0
062	993-53032-002	STOP RING R-32 INNER	1							0
063	088-07020-20	BEARING CASE	1							0
064	999-61620-101	BALL BEARING #6201ZZ, 32MM/OD	1							0
065	738-07021-20	MUFFLER PROTECTOR	1							0
066	157-01570-90	SPARK PLUG CAP ASS'Y	1							0
071	203-11660-20	PRIMARY CORD GROMMET	1							0
072	737-0165A-20	MUFFLER GASKET	1							0
073	133-07020-21	HEAT SHIELD	1							0
074	704-07020-90	MUFFLER SET	1							0
075	990-51060-553	HEX HOLE BOLT 6X55	2							0
076	992-01060-011	WASHER 6	2							0
077	751-07020-20	MUFFLER SPECIAL GASKET	1							0
078	721-07020-90	TAIL PIPE SET	1							0
079	994-14040-081	SCREW 4X8/S	2							0
		B37-05 RECOIL STARTER(CG33EJ/								0
000	762-0162V-91	RECOIL STARTER ASS'Y	1							0
002	785-01620-20	STARTER HANDLE	1							0
003	780-06150-20	ROPE GUIDE	1							0
004	772-06150-21	RECOIL STARTER BODY	1							0
005	779-0136U-20	RECOIL SPRING	1							0
006	783-0162V-20	ROPE 3.5X890	1							0
007	774-0162V-20	STARTER ROPE REEL	1							0
008	801-0162V-20	ROPE REEL WASHER	1							0
009	839-00025-20	SET SCREW	1							0
010	994-15040-182	SCREW 4X18/PS	4							0
054	359-10112-20	CLUTCH WASHER B	1							0

ITEM N°	CODE N°	DESCRIPTION	N° Use	x	x	x	x	x	x	x
		MODEL:CG33EJ								0
055	798-0166R-90	STARTER PULLEY ASS'Y	1							0
056	788-0138A-20	STARTER PAWL	1							0
057	790-0162V-20	STARTER PAWL SPRING	1							0
		B37-06 RECOIL STATER(CG33EJ(S								0
000	762-07027-90	RECOIL STARTER BODY ASS'Y	1							0
002	785-07085-20	STARTER HANDLE	1							0
003	772-07085-80	RECOIL STARTER BODY COMP,	1							0
004	783-07085-20	RECOIL ROPE	1							0
005	780-07085-20	RECOIL SPRING	1							0
006	778-07085-91	SPRING CASE ASS'Y	1							0
008	774-07027-20	STARTER PULLEY	1							0
009	182-07085-20	SPECIAL WASHER 5.2X15	1							0
010	990-72050-144	TAPPING SCREW 5X14	1							0
011	991-01080-011	HEX. NUT 8	1							0
015	806-07027-20	STARTER BASE	1							0
016	990-73045-144	TAPPING SCREW 4.5X14	3							0
017	994-63040-184	HEX.HOLE BOLT 4X18PS	4							0
022	798-07085-90	STARTER PULLEY ASS'Y	1							0
		B37-07 CARBURETOR								0
002	575-25153-80	PUMP BODY COMP	1							0
003	442-25151-80	PRIMING PUMP COMP.	1							0
004	476-25151-20	DIAPHRAGM COVER	1							0
005	447-25108-20	PRIMING BODY	1							0
006	474-25241-80	METERING DIAPHRAGM COMP.	1							0
007	475-25153-20	DIAPHRAGM GASKET	1							0
008	576-25100-20	PUMP DIAPHRAGM	1							0
009	577-25100-20	PUMP GASKET	1							0
010	599-2000W-43	MAIN JET #43	1							0
011	550-25100-20	O-RING	1							0
012	489-25100-20	STOP RING	1							0
013	539-25120-20	SWIVEL	1							0
015	514-25100-20	THROTTLE SET SCREW	2							0
016	544-25164-20	CABLE ADJUSTER STAY	1							0
017	613-25100-20	CABLE ADJUST NUT	1							0
018	614-25137-20	CABLE ADJUSTER	1							0
019	431-0634C-20	CLEANER PACKING	1							0
020	548-25151-20	SET SCREW	4							0
021	549-25165-20	THRUST WASHER	1							0
201	578-25007-20	INLET SCREEN	1							0
		B37-8 OPERATION PIPE(CG33EJ(L								0
001	343-38302-20	DRIVE SHAFT 1533L	1							0
002	341-38300-81	DRIVE SHAFT PIPE COMP 1500L	1							0
003	347-37356-90	BUSHING ASS'Y	5							0
004	991-01060-041	HEX. NUT 6	2							0
005	500-3738E-20	LOOP HANDLE, 26DIA., BLACK	1							0
006	520-33398-20	BARRIER, 26DIA, BLACK	1							0
008	994-23060-432	BOLT 6X43/P	2							0
010	993-11052-012	TAPPING SCREW 5X20	1							0
011	368-32350-20	BRAKE SHAFT WASHER	1							0
012	503-3738E-20	HANDLE GRIP	1							0
016	335-37378-90	LIFTING METAL ASS'Y	1							0
025	870-37588-90	THROTTLE LEVER ASS'Y, 26 DIA.	1							0
050	746-38253-90	SHOULDER BELT ASS'Y	1							0
083	885-38400-80	THROTTLE WIRE COMP.	1							0

ITEM N°	CODE N°	DESCRIPTION	N° Use	x	x	x	x	x	x	x
		MODEL:CG33EJ								0
084	887-38400-80	THROTTLE WIRE	1							0
085	156-38400-80	STOP SWITCH COMP.	1							0
086	164-07017-50	PROTECTION TUBE 7X175	1							0
098	253-38400-20	SAFETY LEVER	1							0
100	832-38400-20	RETURN SPRING	1							0
103	322-38400-20	BLIND PLUG	1							0
110	994-31050-203	SCREW 5X20	2							0
111	991-01050-043	CONTAL NUT 5	2							0
112	993-46040-202	SCREW 4X20, BLACK	4							0
125	880-38400-20	THROTTLE LEVER	1							0
		B37-09 OPERATION PIPE(CG33EJ/								0
001	343-38302-20	DRIVE SHAFT 1533L	1							0
002	341-38300-81	DRIVE SHAFT PIPE COMP 1500L	1							0
003	347-37356-90	BUSHING ASS'Y	5							0
042	335-37307-20	LIFTING METAL, 90 DGR SWIVEL	1							0
043	334-37352-21	LIFTING METAL COLLAR 26	2							0
044	994-62050-304	HEX. HOLE BOLT 5X30.P	2							0
046	315-37304-20	SPECIAL NUT	1							0
063	165-37590-20	HANDLE GRIP	1							0
064	994-61050-254	HEX. HOLE BOLT 5X25/S	4							0
066	506-37623-20	HANDLE BRACKET A	1							0
067	507-37623-20	HANDLE BRACKET B	1							0
068	510-37352-20	CUSHION RUBBER	1							0
069	508-37623-20	HANDLE BRACKET C	1							0
071	994-81060-254	HEX. HOLE BUTTON SCREW 6X25S	2							0
072	336-33411-82	CUSHION PAD COMP.	1							0
074	460-33111-20	CLAMP B.	1							0
075	502-37415-21	LEFT HANDLE	1							0
084	164-07086-50	PROTECTION TUBE	1							0
091	746-37857-90	SHOULDER BELT ASS'Y	1							0
092	501-37169-20	RIGHT HANDLE SK	1							0
095	870-38401-91	THROTTLE LEVER ASS'Y 19	1							0
098	253-38400-20	SAFETY LEVER	1							0
100	832-38400-20	RETURN SPRING	1							0
101	880-38401-20	THROTTLE LEVER	1							0
106	993-46040-202	SCREW 4X20, BLACK	2							0
107	994-31050-303	SCREW 5X30, BLACK	1							0
108	991-01050-043	CONTAL NUT 5	1							0
110	156-38401-80	STOP SWITCH	1							0
120	887-38401-80	THROTTLE WIRE	1							0
125	885-38401-81	THROTTLE WIRE COMP.	1							0
		B37-10 GEAR CASE/GUARD								0
001	300-3338R-90	GEAR CASE ASS'Y,26 DIA.	1							0
002	994-61050-254	HEX. HOLE BOLT 5X25/S	2							0
004	993-51026-002	STOP RING C-26, INNER	1							0
005	993-57010-002	STOP RING OUTER 10	1							0
006	999-61600-002	BALL BEARING #6000Z, 26MM/OD	1							0
007	999-61600-000	BALL BEARING #6000, 26MM/OD	1							0
009	300-37480-20	GEAR CASE 26 DIA	1							0
011	994-61050-124	HEX. HOLE BOLT 5X12S	1							0
012	316-38150-20	OILING BOLT	1							0
013	999-61609-000	BALL BEARING 609	1							0
015	304-3338R-20	GEAR SHAFT	1							0
016	999-61620-103	BALL BEARING 6201D, 32MM/OD	1							0

B34-01

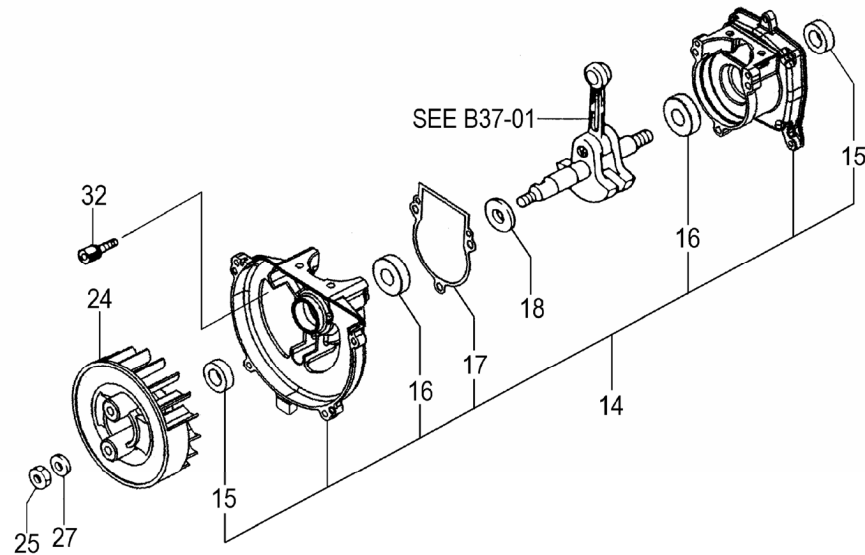
CG33EJ/(S)/(L) CYLINDER/PISTON/CRANK SHAFT



REF. NUMBER	PARTS NUMBER	DESCRIPTION	Q'TY	SERIAL NUMBER
001	018-04221-20	SPARK PLUG RCJ-6Y	1	
002	001-07031-91	CYLINDER SET	1	
003	994-61050-164	HEX. HOLE BOLT 5X16S	4	
004	017-07020-20	CYLINDER GASKET	1	
005	041-01730-20	PISTON RING	2	
006	030-07030-91	PISTON SET	1	
007	037-01400-20	PISTON PIN	1	
008	039-00000-20	PISTON PIN CIRCLIP	2	
011	046-0703A-81	CRANK SHAFT COMP	1	
012	999-62091-325	NEEDLE BRG F-910 1.4X8.5	1	
013	068-10100-20	WOOD-RUFF KEY 3X13X4.5	1	
030	994-64040-184	HEX. HOLE BOLT 4X18WS	2	
033	250-07020-20	INSULATOR TUBE, 110L	1	
043	167-20549-80	IGNITION COIL COMP	1	
050	167-20549-91	IGNITION COIL ASS'Y	1	
055	178-20549-20	HIGH TENSION CORD 140L	1	
056	560-20517-20	RUBBER CAP	1	
057	191-07025-90	REED WIRE ASS'Y	1	
060	182-0186A-20	WASHER	2	

B34-02

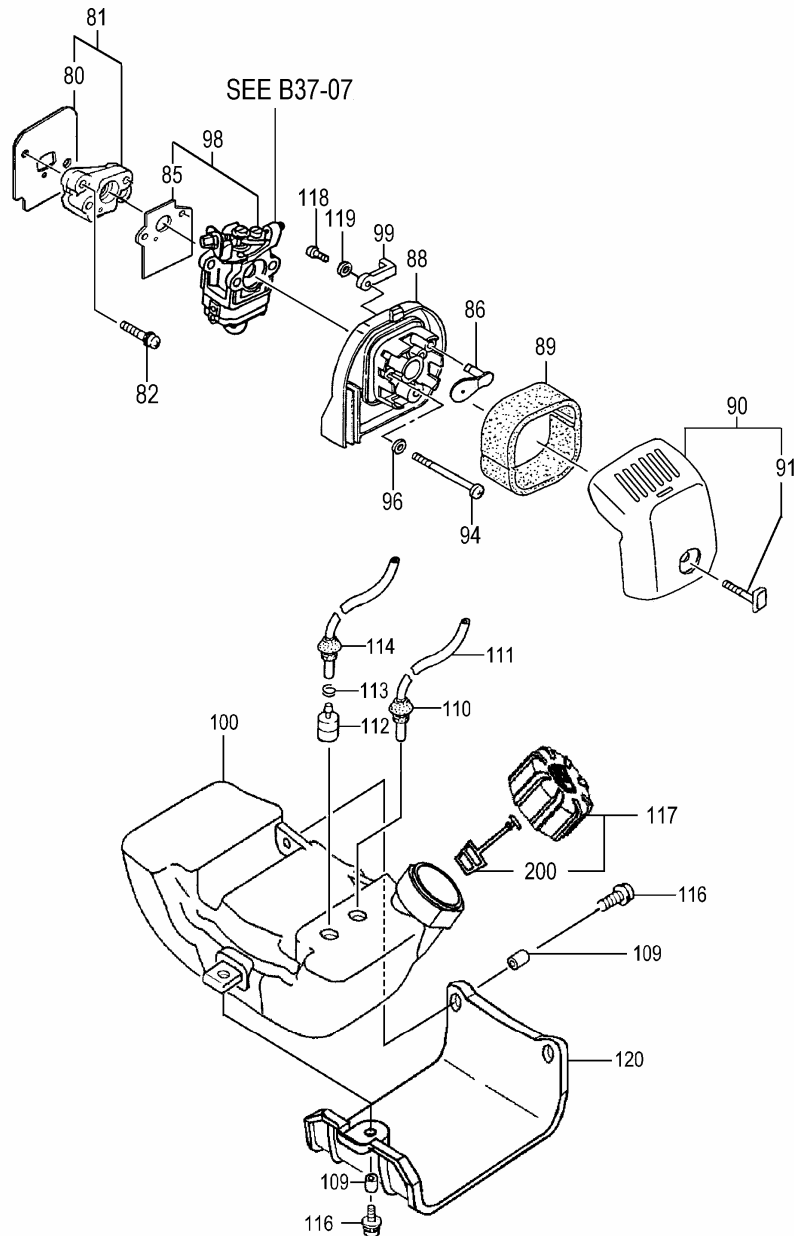
CG33EJ/(S)/(L) CRANK CASE



REF. NUMBER	PARTS NUMBER	DESCRIPTION	Q'TY	SERIAL NUMBER
014	072-07020-90	CRANK CASE ASS'Y	1	
015	999-66122-200	OIL SEAL TB 12227	2	
016	999-61600-115	BALL BEARING 6001 C3	2	
017	090-07020-20	CRANK CASE GASKET	1	
018	330-00200-21	GEAR SHAFT SHIM 0.10	V	
018	330-00200-22	GEAR SHAFT SHIM 0.15	V	
018	330-00200-23	GEAR SHAFT SHIM 0.20	V	
018	330-00200-24	GEAR SHAFT SHIM 0.30	V	
024	155-20549-80	MAGNETO ROTOR COMP.	1	
025	991-01080-011	HEX. NUT 8	1	
027	992-00080-011	SMALL WASHER 8	1	
032	994-61050-164	HEX. HOLE BOLT 5X16S	3	

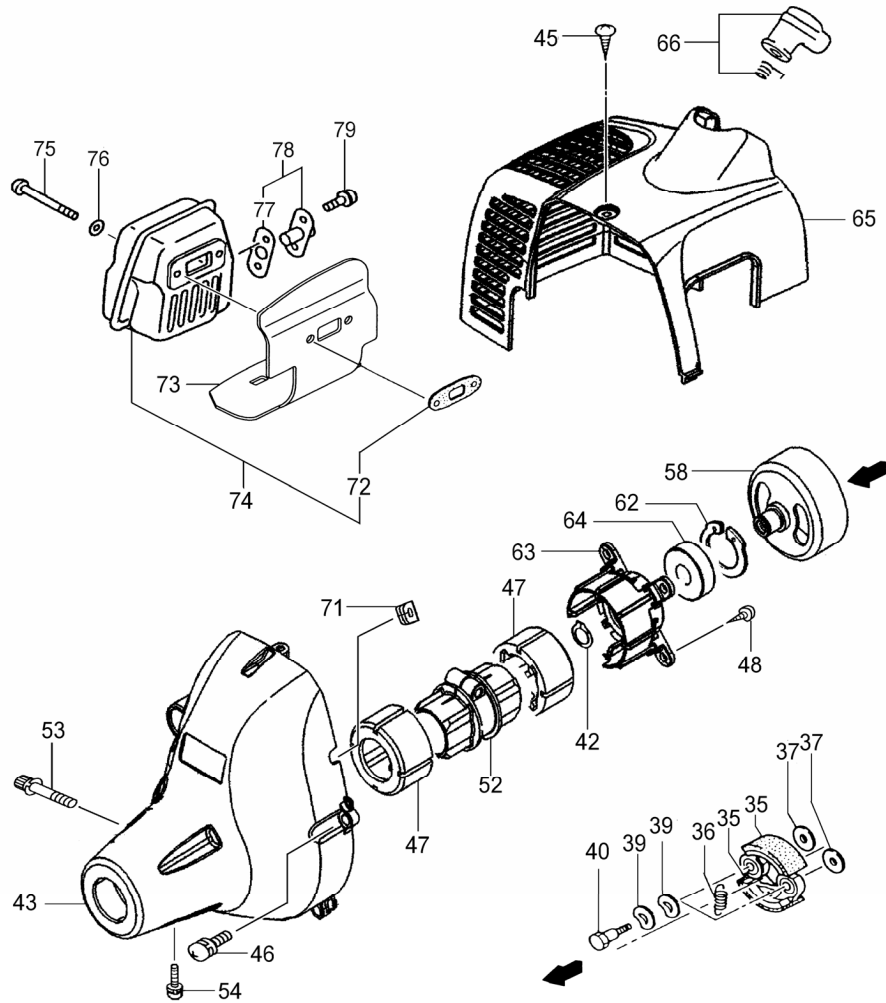
B34-03

CG33EJ/(S)/(L) ENGINE-1

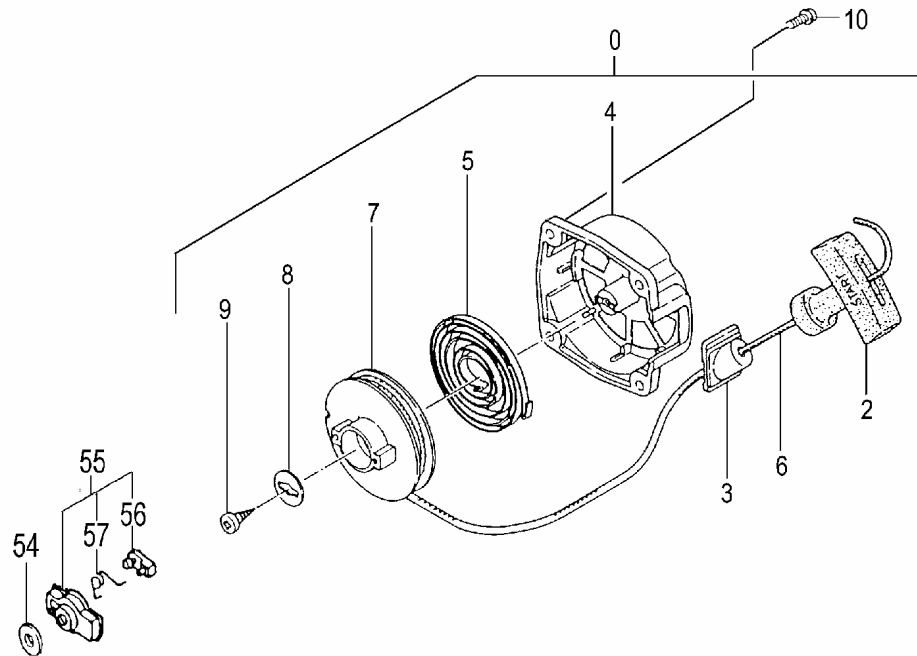


REF. NUMBER	PARTS NUMBER	DESCRIPTION	Q'TY	SERIAL NUMBER
080	403-0143C-21	INLET MANIFOLD GASKET	1	
081	404-0143C-90	CARBURETOR INSULATOR S	1	
082	994-64050-224	HEX.HOLE BOLT 5X22/WS	2	
085	402-0656A-20	CARBURETOR GASKET	1	
086	528-07020-22	CHOKE PLATE 1.0	1	
088	423-0652N-80	CLEANER BODY COMP.	1	
089	446-0652N-20	CLEANER SPONGE	1	
090	452-07035-90	CLEANER COVER ASS'Y	1	
091	450-07024-80	COVER FIXING BOLT	1	
094	994-14050-571	SCREW 5X57/S	2	
096	992-00050-011	SMALL WASHER 5	2	
098	455-07037-90	CARBURETOR SET WYJ296	1	
099	523-0652N-20	CHOKE CONTROL LEVER	1	
100	591-07034-80	TANK COMP. OR	1	
109	659-04300-20	COLLAR C	3	
110	222-06300-20	FUEL PIPE GROMMET	1	
111	700-03005-08	FUEL PIPE 3X5X80	1	
112	675-04042-80	PUMP FILTER BODY COMP.	1	
113	680-00731-20	CLIP, 6.3 DIA.	1	
114	223-0162V-90	FUEL PIPE ASS'Y	1	
116	994-63050-205	HEX HOLE BOLT 5X20PS	3	
117	595-01690-90	TANK CAP ASS'Y (BLACK)	1	
118	990-75040-154	TAPPING SCREW 4X15	1	
119	992-01040-011	WASHER 4	1	
120	941-07035-20	STAND	1	
200	626-32550-20	TANK CAP CHAIN	1	

B36-04 CG33EJ/(S)/(L) ENGINE-2



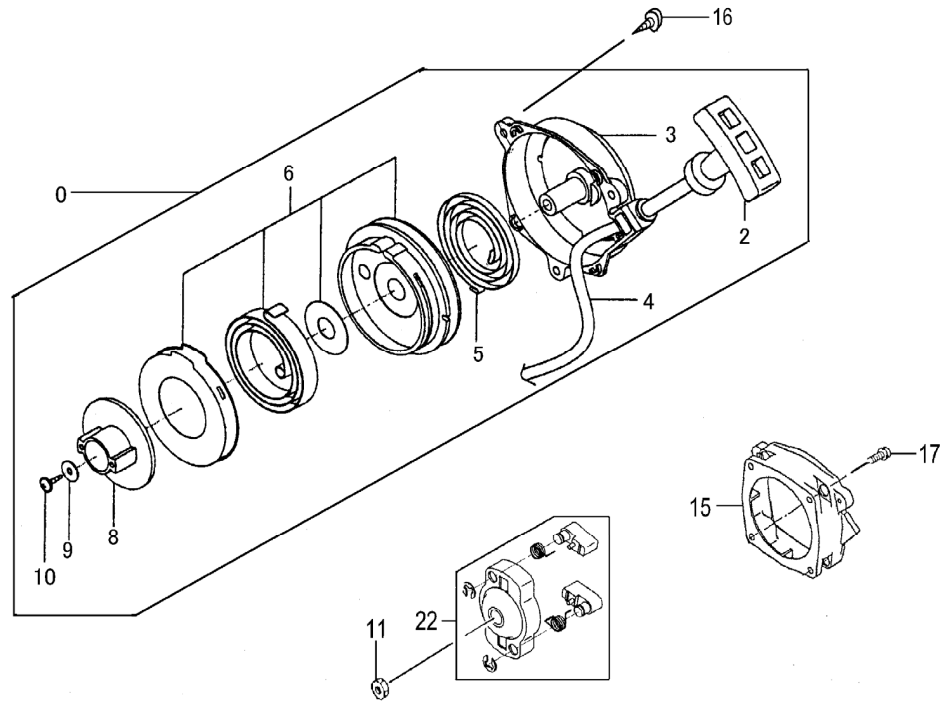
REF. NUMBER	PARTS NUMBER	DESCRIPTION	Q'TY	SERIAL NUMBER
035	290-0138A-80	CLUTCH ARM COMP.	2	
036	342-0138A-20	CLUTCH SPRING	1	
037	359-10112-20	CLUTCH WASHER B	2	
039	992-04100-030	WAVE WASHER 10	4	
040	357-0136U-20	CLUTCH STEP BOLT	2	
042	993-50012-002	STOP RING C-12, OUTER	1	
043	112-07021-81	FAN CASE COMP.	1	
045	990-73045-124	TAPPING SCREW 4.5X12	1	
046	994-64050-154	HEX. HOLE BOLT 5X15WS	4	
047	599-07020-20	ANTI-VIBE RUBBER	2	
048	990-72050-144	TAPPING SCREW 5X14	4	
052	360-07030-20	PIPE HOLDER	1	
053	994-61050-254	HEX. HOLE BOLT 5X25/S	1	
054	994-61040-124	HEX. HOLE BOLT 4X12S	1	
058	289-07031-80	CLUTCH SHAFT COMP. 78	1	
062	993-53032-002	STOP RING R-32 INNER	1	
063	088-07020-20	BEARING CASE	1	
064	999-61620-101	BALL BEARING #6201ZZ, 32M	1	
065	738-07021-20	MUFFLER PROTECTOR	1	
066	157-01570-90	SPARK PLUG CAP ASS'Y	1	
071	203-11660-20	PRIMARY CORD GROMMET	1	
072	737-0165A-20	MUFFLER GASKET	1	
073	133-07020-21	HEAT SHIELD	1	
074	704-07020-90	MUFFLER SET	1	
075	990-51060-553	HEX HOLE BOLT 6X55	2	
076	992-01060-011	WASHER 6	2	
077	751-07020-20	MUFFLER SPECIAL GASKET	1	
078	721-07020-90	TAIL PIPE SET	1	
079	994-14040-081	SCREW 4X8/S	2	

B36-05**CG33EJ/33EJ(L) RECOIL STARTER**

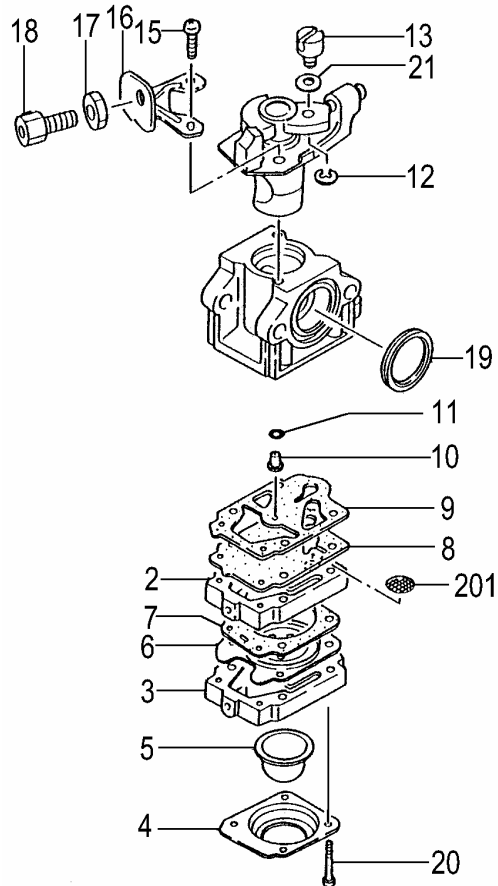
REF. NUMBER	PARTS NUMBER	DESCRIPTION	Q'TY	SERIAL NUMBER
000	762-0162V-91	RECOIL STARTER ASS'Y	1	
002	785-01620-20	STARTER HANDLE	1	
003	780-06150-20	ROPE GUIDE	1	
004	772-06150-21	RECOIL STARTER BODY	1	
005	779-0136U-20	RECOIL SPRING	1	
006	783-0162V-20	ROPE 3.5X890	1	
007	774-0162V-20	STARTER ROPE REEL	1	
008	801-0162V-20	ROPE REEL WASHER	1	
009	839-00025-20	SET SCREW	1	
010	994-15040-182	SCREW 4X18/PS	4	
054	359-10112-20	CLUTCH WASHER B	1	
055	798-0166R-90	STARTER PULLEY ASS'Y	1	
056	788-0138A-20	STARTER PAWL	1	
057	790-0162V-20	STARTER PAWL SPRING	1	

B34-06

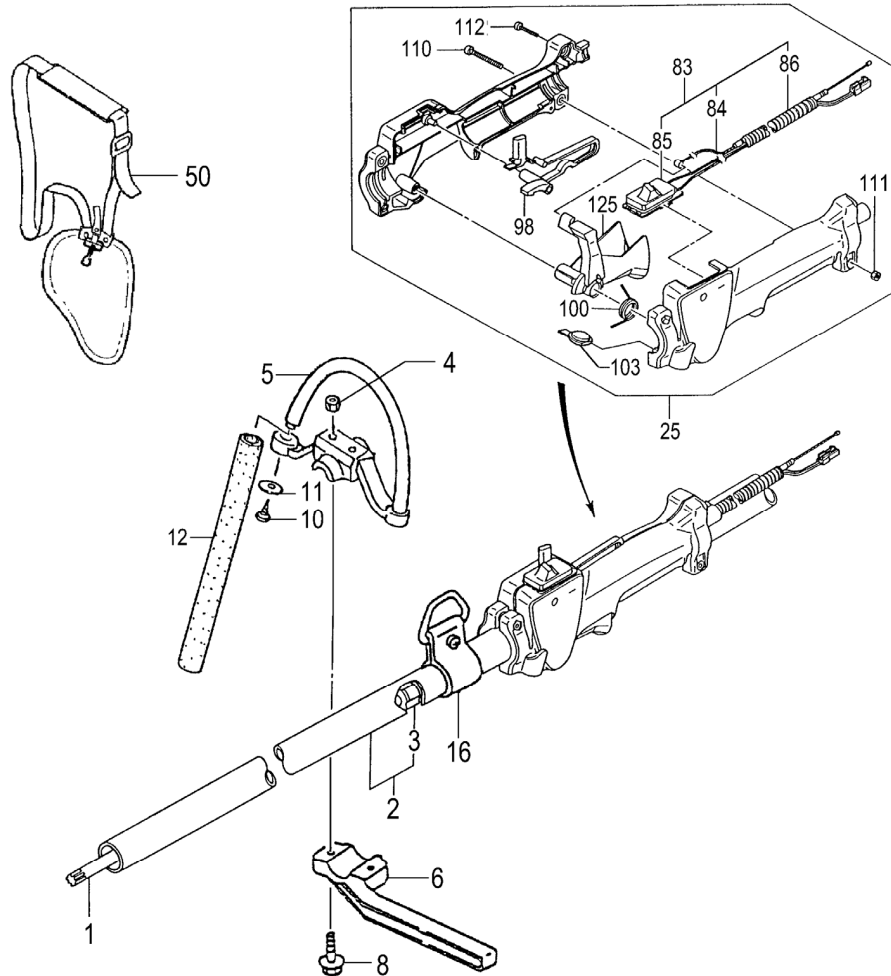
CG33EJ(S) RECOIL STARTER



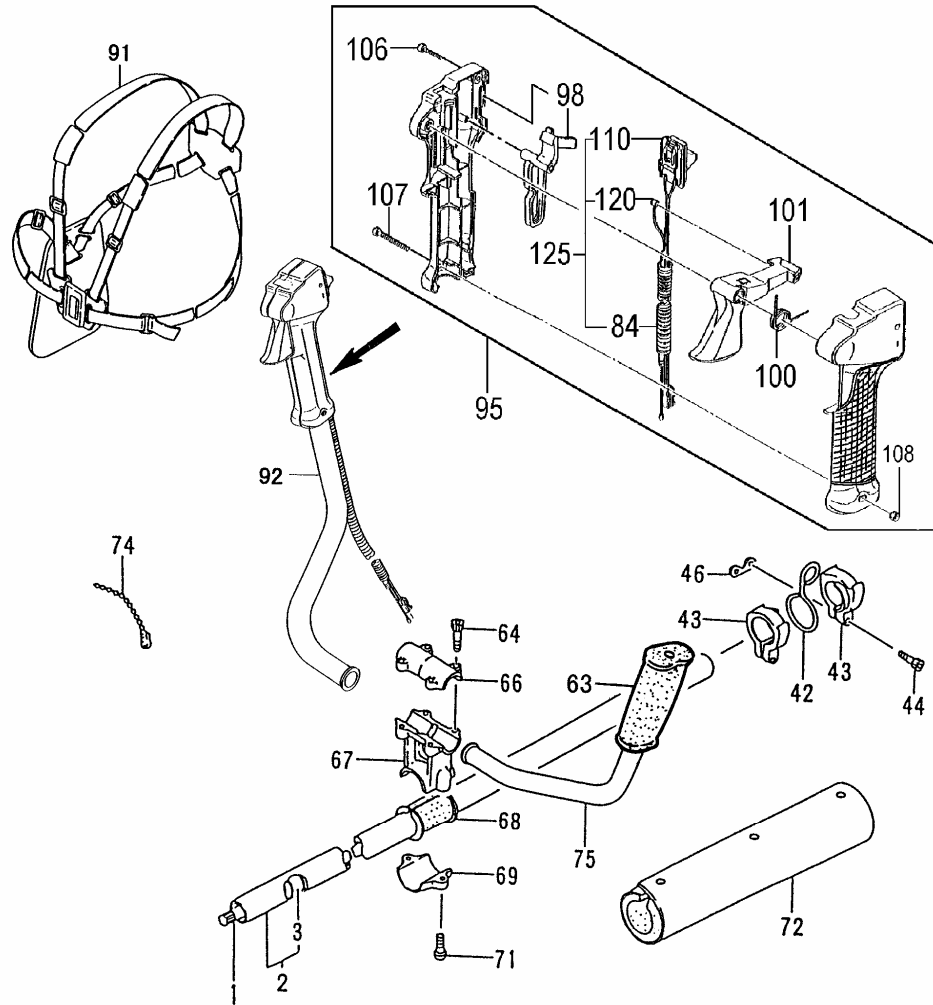
REF. NUMBER	PARTS NUMBER	DESCRIPTION	Q'TY	SERIAL NUMBER
000	762-07027-90	RECOIL STARTER BODY ASS'Y	1	
002	785-07085-20	STARTER HANDLE	1	
003	772-07085-80	RECOIL STARTER BODY CO	1	
004	783-07085-20	RECOIL ROPE	1	
005	780-07085-20	RECOIL SPRING	1	
006	778-07085-91	SPRING CASE ASS'Y	1	
008	774-07027-20	STARTER PULLEY	1	
009	182-07085-20	SPECIAL WASHER 5.2X15	1	
010	990-72050-144	TAPPING SCREW 5X14	1	
011	991-01080-011	HEX. NUT 8	1	
015	806-07027-20	STARTER BASE	1	
016	990-73045-144	TAPPING SCREW 4.5X14	3	
017	994-63040-184	HEX.HOLE BOLT 4X18PS	4	
022	798-07085-90	STARTER PULLEY ASS'Y	1	

B34-07**CG33EJ/(S)/(L) CABURETOR**

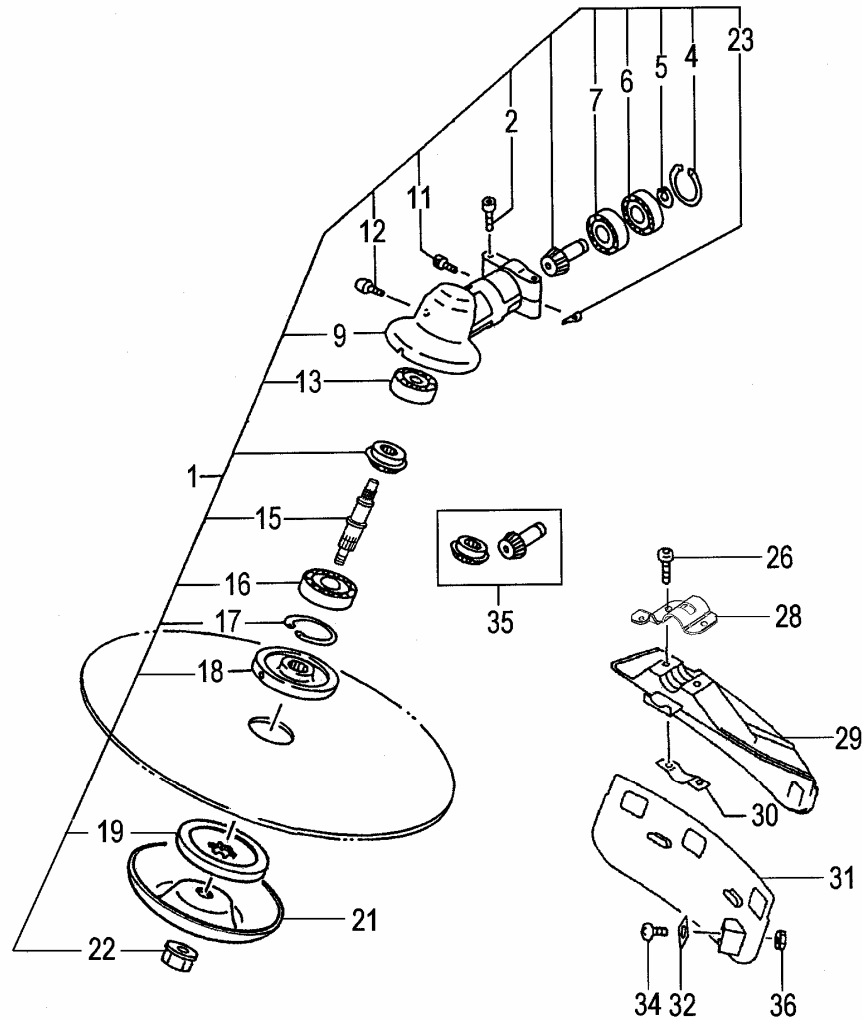
REF. NUMBER	PARTS NUMBER	DESCRIPTION	Q'TY	SERIAL NUMBER
002	575-25153-80	PUMP BODY COMP	1	
003	442-25151-80	PRIMING PUMP COMP.	1	
004	476-25151-20	DIAPHRAGM COVER	1	
005	447-25108-20	PRIMING BODY	1	
006	474-25241-80	METERING DIAPHRAGM CO	1	
007	475-25153-20	DIAPHRAGM GASKET	1	
008	576-25100-20	PUMP DIAPHRAGM	1	
009	577-25100-20	PUMP GASKET	1	
010	599-2000W-43	MAIN JET #43	1	
011	550-25100-20	O-RING	1	
012	489-25100-20	STOP RING	1	
013	539-25120-20	SWIVEL	1	
015	514-25100-20	THROTTLE SET SCREW	2	
016	544-25164-20	CABLE ADJUSTER STAY	1	
017	613-25100-20	CABLE ADJUST NUT	1	
018	614-25137-20	CABLE ADJUSTER	1	
019	431-0634C-20	CLEANER PACKING	1	
020	548-25151-20	SET SCREW	4	
021	549-25165-20	THRUST WASHER	1	
201	578-25007-20	INLET SCREEN	1	

B34-08**CG33EJ(L) OPERATION PIPE**

REF. NUMBER	PARTS NUMBER	DESCRIPTION	Q'TY	SERIAL NUMBER
001	343-38302-20	DRIVE SHAFT 1533L	1	
002	341-38300-81	DRIVE SHAFT PIPE COMP 15	1	
003	347-37356-90	BUSHING ASS'Y	5	
004	991-01060-041	HEX. NUT 6	2	
005	500-3738E-20	LOOP HANDLE, 26DIA., BLACK	1	
006	520-33398-20	BARRIER, 26DIA, BLACK	1	
008	994-23060-432	BOLT 6X43/P	2	
010	993-11052-012	TAPPING SCREW 5X20	1	
011	368-32350-20	BRAKE SHAFT WASHER	1	
012	503-3738E-20	HANDLE GRIP	1	
016	335-37378-90	LIFTING METAL ASS'Y	1	
025	870-37588-90	THROTTLE LEVER ASS'Y, 26	1	
050	746-38253-90	SHOULDER BELT ASS'Y	1	
083	885-38400-80	THROTTLE WIRE COMP.	1	
084	887-38400-80	THROTTLE WIRE	1	
085	156-38400-80	STOP SWITCH COMP.	1	
086	164-07017-50	PROTECTION TUBE 7X175	1	
098	253-38400-20	SAFETY LEVER	1	
100	832-38400-20	RETURN SPRING	1	
103	322-38400-20	BLIND PLUG	1	
110	994-31050-203	SCREW 5X20	2	
111	991-01050-043	CONTAL NUT 5	2	
112	993-46040-202	SCREW 4X20, BLACK	4	
125	880-38400-20	THROTTLE LEVER	1	



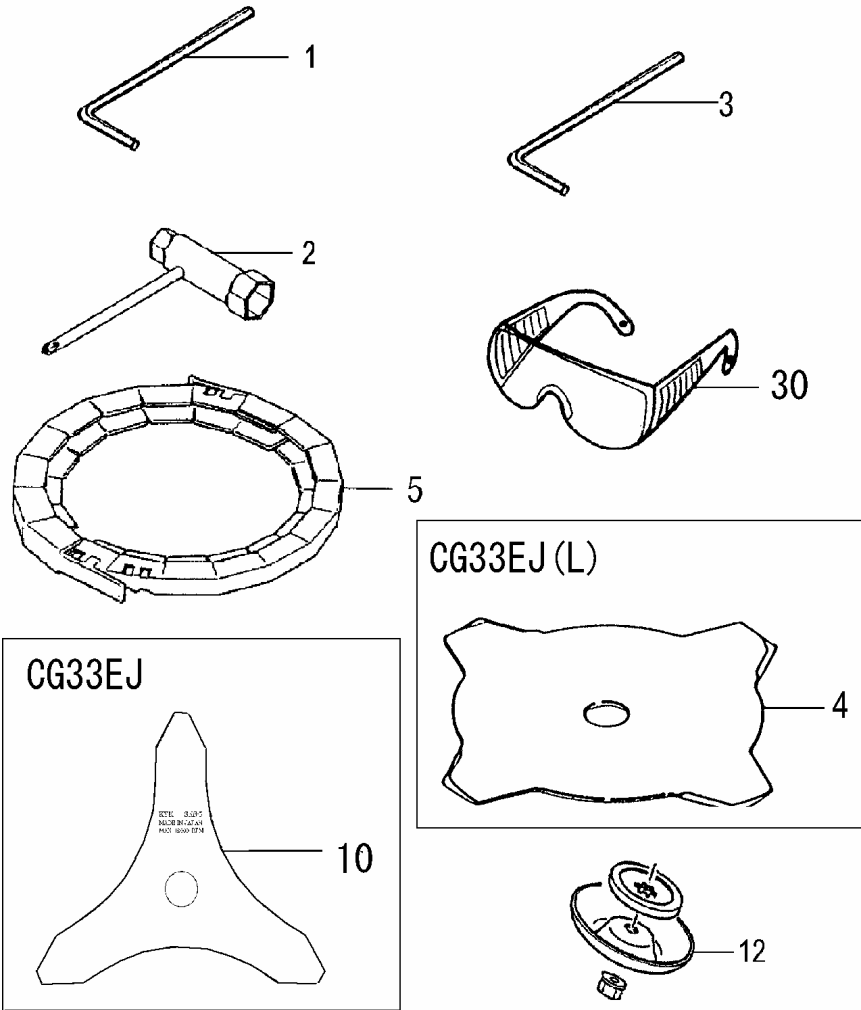
REF. NUMBER	PARTS NUMBER	DESCRIPTION	Q'TY	SERIAL NUMBER
001	343-38302-20	DRIVE SHAFT 1533L	1	
002	341-38300-81	DRIVE SHAFT PIPE COMP 15	1	
003	347-37356-90	BUSHING ASS'Y	5	
042	335-37307-20	LIFTING METAL, 90 DGR SW	1	
043	334-37352-21	LIFTING METAL COLLAR 26	2	
044	994-62050-304	HEX. HOLE BOLT 5X30.P	2	
046	315-37304-20	SPECIAL NUT	1	
063	165-37590-20	HANDLE GRIP	1	
064	994-61050-254	HEX. HOLE BOLT 5X25/S	4	
066	506-37623-20	HANDLE BRACKET A	1	
067	507-37623-20	HANDLE BRACKET B	1	
068	510-37352-20	CUSHION RUBBER	1	
069	508-37623-20	HANDLE BRACKET C	1	
071	994-81060-254	HEX. HOLE BUTTON SCREW	2	
072	336-33411-82	CUSHION PAD COMP.	1	
074	460-33111-20	CLAMP B.	1	
075	502-37415-21	LEFT HANDLE	1	
084	164-07086-50	PROTECTION TUBE	1	
091	746-37857-90	SHOULDER BELT ASS'Y	1	
092	501-37169-20	RIGHT HANDLE SK	1	
095	870-38401-91	THROTTLE LEVER ASS'Y 19	1	
098	253-38400-20	SAFETY LEVER	1	
100	832-38400-20	RETURN SPRING	1	
101	880-38401-20	THROTTLE LEVER	1	
106	993-46040-202	SCREW 4X20, BLACK	2	
107	994-31050-303	SCREW 5X30, BLACK	1	
108	991-01050-043	CONTAL NUT 5	1	
110	156-38401-80	STOP SWITCH	1	
120	887-38401-80	THROTTLE WIRE	1	
125	885-38401-81	THROTTLE WIRE COMP.	1	

B37-10**CG33EJ/(S)/(L) GEAR CASE /GURD**

REF. NUMBER	PARTS NUMBER	DESCRIPTION	Q'TY	SERIAL NUMBER
001	300-3338R-90	GEAR CASE ASS'Y, 26 DIA.	1	
002	994-61050-254	HEX. HOLE BOLT 5X25/S	2	
004	993-51026-002	STOP RING C-26, INNER	1	
005	993-57010-002	STOP RING OUTER 10	1	
006	999-61600-002	BALL BEARING #6000Z, 26MM	1	
007	999-61600-000	BALL BEARING #6000, 26MM	1	
009	300-37480-20	GEAR CASE 26 DIA	1	
011	994-61050-124	HEX. HOLE BOLT 5X12S	1	
012	316-38150-20	OILING BOLT	1	
013	999-61609-000	BALL BEARING 609	1	
015	304-3338R-20	GEAR SHAFT	1	
016	999-61620-103	BALL BEARING 6201D, 32MM	1	
017	993-51032-002	STOP RING C-32, INNER	1	
018	310-38150-20	CUTTER HOLDER	1	
019	311-38150-20	CUTTER HOLDER CAP	1	
022	313-38150-20	FIXING NUT M10X1.25	1	
023	324-38150-20	GEAR CASE WASHER	1	
026	994-81060-254	HEX. HOLE BUTTON SCREW	2	
028	442-38331-20	COVER BRACKET 26	1	
029	441-37380-21	BLADE GUARD 26 CE	1	
030	445-37380-20	SAFETY COVER HOLDER	1	
031	447-37380-20	COVER GUARD	1	
032	797-37380-21	KNIFE	1	
034	994-14050-121	SCREW 5X12/S	1	
035	301-37480-00	GEAR/PINION SET, SPARE	1	
036	991-01050-011	HEX. NUT 5	1	

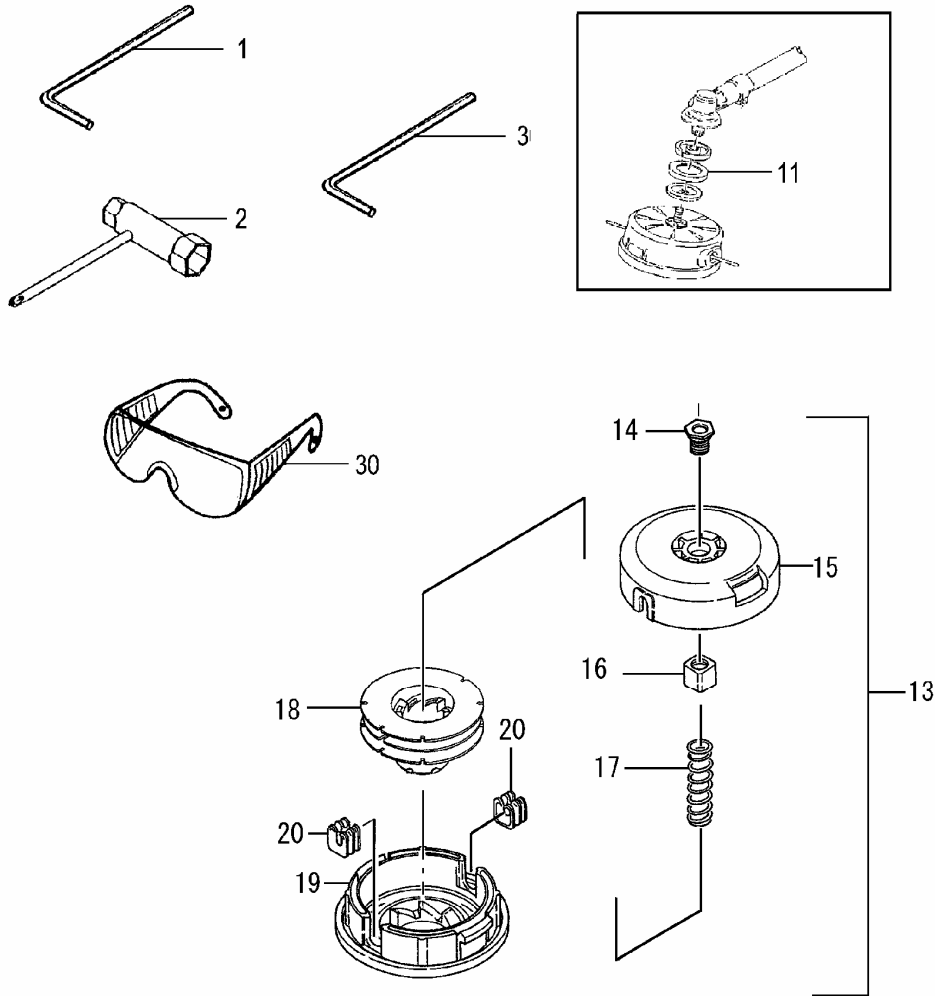
B34-11

CG33EJ/33EJ(L) TOOL



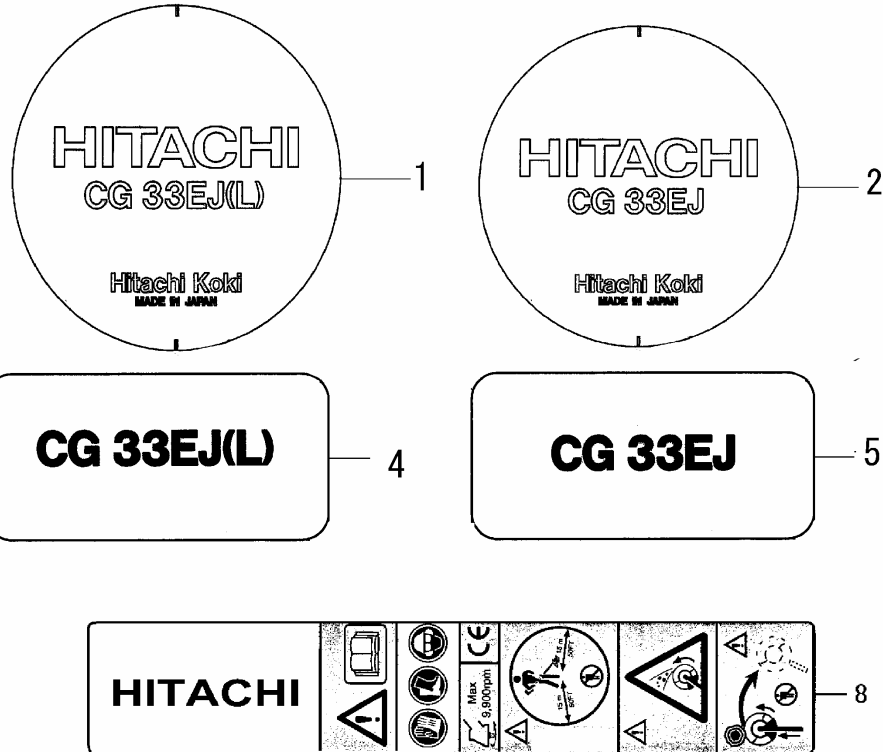
REF. NUMBER	PARTS NUMBER	DESCRIPTION	Q'TY	SERIAL NUMBER
001	813-20000-20	HEX. WRENCH 4	1	
002	826-20000-80	COMBI, BOX WRENCH 17X19	1	
003	812-20000-20	HEX. WRENCH 3	1	
004	802-37372-20	CUTTING BLADE 4X230,TYP	1	
005	615-37224-20	CUTTER COVER	2	
010	810-37121-22	CUTTING BLADE 3TX255XT2	1	
012	308-38150-20	PROTECTION COVER B	1	
030	541-37590-20	PROTECTION GLASSES	1	

B34-12 CG33EJ(L) TOOLS



REF. NUMBER	PARTS NUMBER	DESCRIPTION	Q'TY	SERIAL NUMBER
001	813-20000-20	HEX. WRENCH 4	1	
002	826-20000-80	COMBI, BOX WRENCH 17X19	1	
003	812-20000-20	HEX. WRENCH 3	1	
011	307-37307-20	WINDING PROTECTOR	1	
013	783-33832-90	NYLON HEAD/SURE TAP, M10	1	
014	356-3383B-20	MOUNTING NUT L-M10X1.25	1	
015	786-33830-20	CUTTING BODY	1	
016	315-33830-20	SPECIAL NUT	1	
017	793-33830-20	REEL SPRING	1	
018	787-33830-20	SPOOL	1	
019	789-33830-20	CUTTING BODY CAP	1	
020	788-33830-20	EYELET	2	
030	541-37590-20	PROTECTION GLASSES	1	

B34-13 CG33EJ/(S)/(L) LABELS



REF. NUMBER	PARTS NUMBER	DESCRIPTION	Q'TY	SERIAL NUMBER
001	906-56001-20	NAME PLATE CG33EJ(L)	1	
002	906-56000-20	NAME PLATE CG33EJ	1	
004	929-56001-20	SYMBOL MARK CG33EJ(L)	1	
005	929-56000-20	SYMBOL MARK CG33EJ	1	
008	919-38515-20	CAUTION MARK 9900RPM	1	