

## Vue éclatée modèle CH 55EB (ST)

Serial n° xx

ITEM N°	CODE N°	DESCRIPTION	N° Used	x	x	x	x	x	x	x
	CH55EBST	<b>MODEL : THT2100S</b>								
H01-01		CYLINDER/PISTON/CRANK SHAFT								
001	157-06500-91	SPARK PLUG CAP ASS'Y	1						*96	
002	018-00555-20	SPARK PLUG, RCJ8Y	1						*317B	
003	001-0650A-90	CYLINDER SET	1							
004	994-61050-184	HEX. HOLE BOLT 5X18/S	2						*3178	
007	017-06500-20	CYLINDER GASKET	1						43295	
008	041-00601-21	PISTON RING	1						43296	
009	030-0650A-90	PISTON SET	1							
010	037-06500-20	PISTON PIN	1							
011	039-01620-20	PISTON PIN CIRCLIP	2							
012	046-06500-80	CRANK SHAFT COMP.	1							
013	999-62081-225	NEEDLE BRG F-810 1.4X8.5	1							
027	153-21532-90	IGNITION COIL ASS'Y	1							
028	994-64040-184	HEX. HOLE BOLT 4X18WS	2							
029	274-0700D-80	CORD, B130M	1							
036	250-06500-20	INSULATOR TUBE, 50L	1							
037	178-06500-80	CORD	1							
038	167-21532-80	IGNITION COIL COMP.	1							
H01-02		CRANK CASE								
021	072-06500-90	CRANK CASE ASS'Y	1							
022	090-06500-20	CRANKCASE GASKET	1							
023	999-66122-200	OIL SEAL TB 12227	2							
024	999-61600-115	BALL BEARING 6001 C3	2							
025	330-00200-23	GEAR SHAFT SHIM 0.20	V							
025	330-00200-24	GEAR SHAFT SHIM 0.30	V							
026	599-00601-20	GROMET	1							
030	994-61050-304	HEX. HOLE BOLT 5X30S	3							
031	155-21523-80	MAGNETO ROTOR COMP.	1							
032	992-01080-011	WASHER 8	1							
033	992-10080-012	S.WASHER 8	1							
034	991-01080-011	HEX. NUT 8	1							
035	100-02100-20	STUD BOLT 6X22	2							
H01-03		ENGINE-1								
025	403-06500-20	INTAKE PIPE GASKET	1							
026	404-06500-90	CARB. INSULATOR SET,SPARE	1							
027	994-64050-254	HEX. HOLE BOLT 5X25WS	2							
030	402-06500-20	CARBURETOR GASKET	1							
033	999-67015-000	O-RING P-15	1							
035	423-06500-81	CLEANER BODY COMP.	1							
036	470-06500-20	COLLAR 7.5	2							
037	528-0650T-20	CHOKE VALVE	1							
038	992-04080-031	WAVE WASHER 8	1							
039	476-01700-20	BLOW OVER CHECK BOARD	1							
040	992-10050-012	S.WASHER 5	2							
041	990-11050-602	SCREW 5X60	2							
043	446-06500-21	CLEANER SPONGE	1							

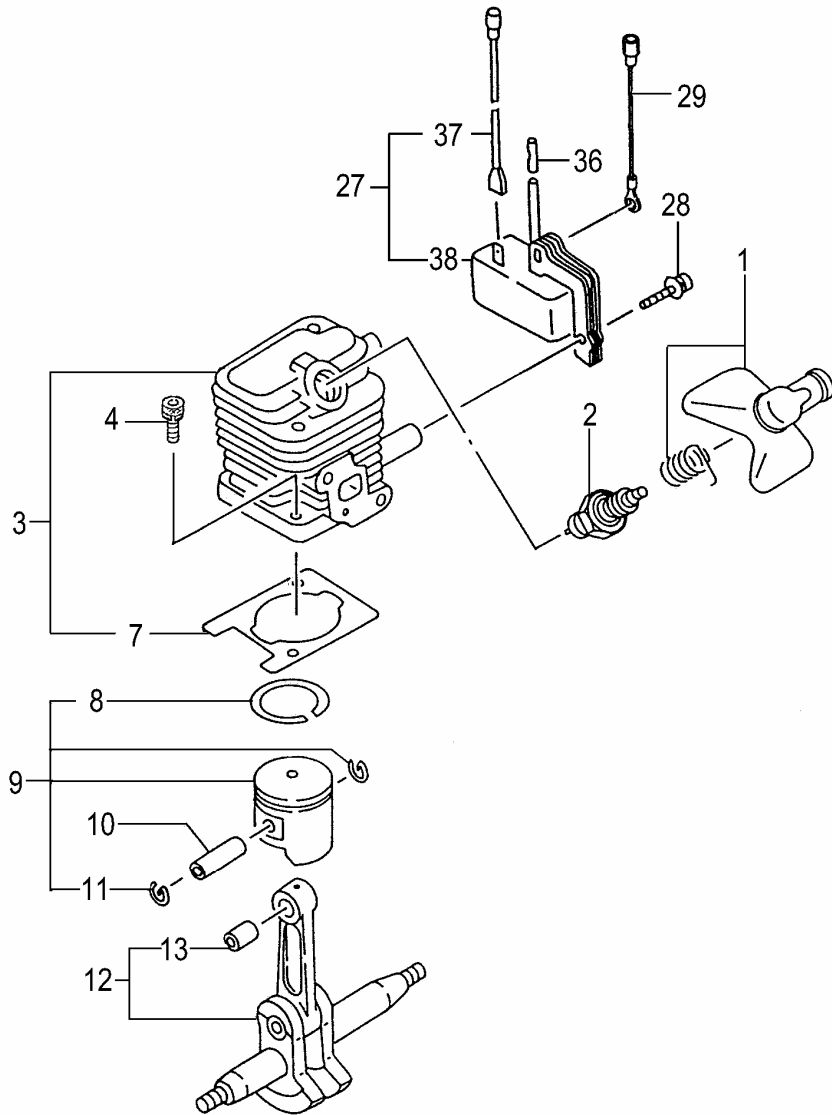
ITEM N°	CODE N°	DESCRIPTION	N° Used	x	x	x	x	x	x	x
	CH55EBST	<b>MODEL : THT2100S</b>								
044	452-06500-91	CLEANER COVER ASS'Y	1							
045	380-0637C-20	SPECIAL SCREW	1							
046	455-0651A-90	CARBURETOR SET, WYL120	1							
050	223-06500-90	FUEL PIPE ASS'Y L=130	1							
051	680-00731-20	CLIP, 6.3 DIA.	1							
052	675-04042-80	PUMP FILTER BODY COMP.	1							
053	591-06504-22	FUEL TANK	1							
054	595-00093-90	TANK CAP D ASS'Y ORANGE	1							
055	659-00801-20	COLLAR 5.8	2							
056	626-32550-20	TANK CAP CHAIN	1							
058	994-63050-185	HEX. HOLE BOLT 5X18PS	2							
061	560-07120-20	SWIVEL CAP	1							
070	442-25143-80	PRIMING PUMP COMP.	1							
077	700-02504-08	FUEL PIPE 2.5X4X80	1							
078	700-02504-07	FUEL PIPE 2.5X4X70	1							
079	534-32710-20	RETURN GROMMET	1							
H01-04		ENGINE-2								
003	738-06500-20	MUFFLER PROTECTOR	1							
004	737-06500-20	MUFFLER GASKET	1							
005	133-06500-20	HEAT SHIELD	1							
006	704-06511-91	MUFFLER SET	1							
007	992-01050-011	WASHER 5	2							
008	990-51050-503	HEX. HOLE BOLT 5X50	2							
017	203-0604A-20	GROMMET	1							
020	994-63040-184	HEX.HOLE BOLT 4X18PS	3							
047	277-0634F-91	CLUTCH A'SSY	1					277-0634F-90		
061	990-72045-164	TAPPING SCREW 4.5X16	1							
062	994-25040-128	BOLT 4X12PS	2							
067	112-0651H-80	FAN CASE COMP.	1							
068	774-0651H-20	STARTER PULLY	1							
069	759-0651H-20	CAM PLATE	1							
070	758-0651H-20	DUMPER SPRING	1							
071	780-06097-20	RECOIL SPRING	1							
072	839-03045-20	SET SCREW	1							
073	783-0651H-20	ROPE 3X890	1							
074	785-06410-20	STARTER HANDLE	1							
075	798-0651H-90	STARTER PULLY ASS'Y	1							
076	132-06602-20	DEFLECTOR	1							
077	788-0651H-20	STATER SPRING	2							
078	790-06097-20	STARTER PAWL SPRING	2							
079	993-55050-000	STOP RING E-5	2							
H01-05		CARBURETOR								
001	548-25140-20	THROTTLE SET SCREW	2							
005	539-25120-20	SWIVEL	1							
007	489-25100-20	STOP RING	1							
010	550-25100-20	O-RING	1							
011	599-200BW-34	MAIN JET #34.5	1							
013	577-25100-20	PUMP GASKET	1							
014	576-25100-20	PUMP DIAPHRAGM	1							
017	578-25007-20	INLET SCREEN	1							
018	575-25147-80	PUMP BODY COMP.	1							

ITEM N°	CODE N°	DESCRIPTION	N° Used	x	x	x	x	x	x	x
	CH55EBST	<b>MODEL : THT2100S</b>								
019	475-25038-20	DIAPHRAGM GASKET	1							
020	474-25001-80	METERING DIAPHRAGM COMP. #	1							
021	476-25004-20	DIAPHRAGM COVER	1							
022	548-25101-20	SET SCREW	4							
H01-06		HANDLE								
001	051-33290-20	HANDLE B	1							
002	050-33290-20	HANDLE A	1							
003	230-33290-20	THROTTLE LEVER	1							
004	231-33290-20	SAFETY LEVER	1							
005	232-33160-20	THROTTLE LEVER SPRING	1							
006	170-32465-80	STOP SWITCH COMP.	1							
007	233-33290-20	LOCK LEVER	1							
008	245-33290-20	SPRING	1							
009	992-01040-011	WASHER 4	1							
010	993-41040-101	SCREW 4X10	1							
011	990-72045-164	TAPPING SCREW 4.5X16	5							
012	885-33295-80	THROTTLE WIRE COMP.	1							
013	258-11650-20	BUTTON STOP	1							
014	994-31030-101	SCREW 3X10	1							
016	925-33160-20	STOP BUTTON MARK	1							
025	505-33196-20	CLIP BLACK	1					505-33290-20		
061	210-33160-22	FRONT HANDLE	1							
063	368-32057-20	BRAKE SHAFT WASHER	2							
064	992-10050-062	S.WASHER 5	2							
065	990-51050-403	HEX. HOLE BOLT 5X40	2							
073	164-07013-01	PROTECTION TUBE 130L	1							
H01-07		GEAR CASE / BLADE								
001	300-73050-80	GEAR CASE COMP.	1							
002	993-50015-002	STOP RING C-15, OUTER	1							
003	999-61600-200	BALL BEARING #6002, 32MM/OD	1							
004	999-61600-202	BALL BEARING #6002Z, 32MM/OD	1							
005	288-33180-80	CLUTCH DRUM COMP.	1							
006	305-33160-20	GEAR SHAFT	1							
007	075-33160-20	GUIDE PLATE	1							
008	101-33190-20	CAM ROD	2							
009	307-33180-20	GEAR 2	1							
010	303-33160-20	GEAR CASE GASKET	1							
011	630-33160-20	GEAR CASE COVER	1							
012	122-33178-20	CUTTER GUIDE 625.5L M6	1							
013	136-33160-20	PROTECTION PLATE	1							
014	990-52060-255	HEX. HOLE FLUSH BOLT 6X25	2							
015	120-33160-22	CUTTER A	2							
016	085-33160-20	GREASE SEAL A	2							
017	129-33202-20	WASHER 7 BLACK	4							
018	124-32287-20	FIXING BOLT A M6	4							
019	991-82060-001	FLANGE NUT 6	3							
020	994-61040-124	HEX. HOLE BOLT 4X12S	6							
021	994-61040-104	HEX. HOLE BOLT 4X10S	2							
022	300-32250-80	GREASE NIPPLE COMP.	1							
023	994-61060-184	HEX. HOLE BOLT 6X18/S	2							
060	301-33183-21	GEAR CASE B	1					301-33160-21		



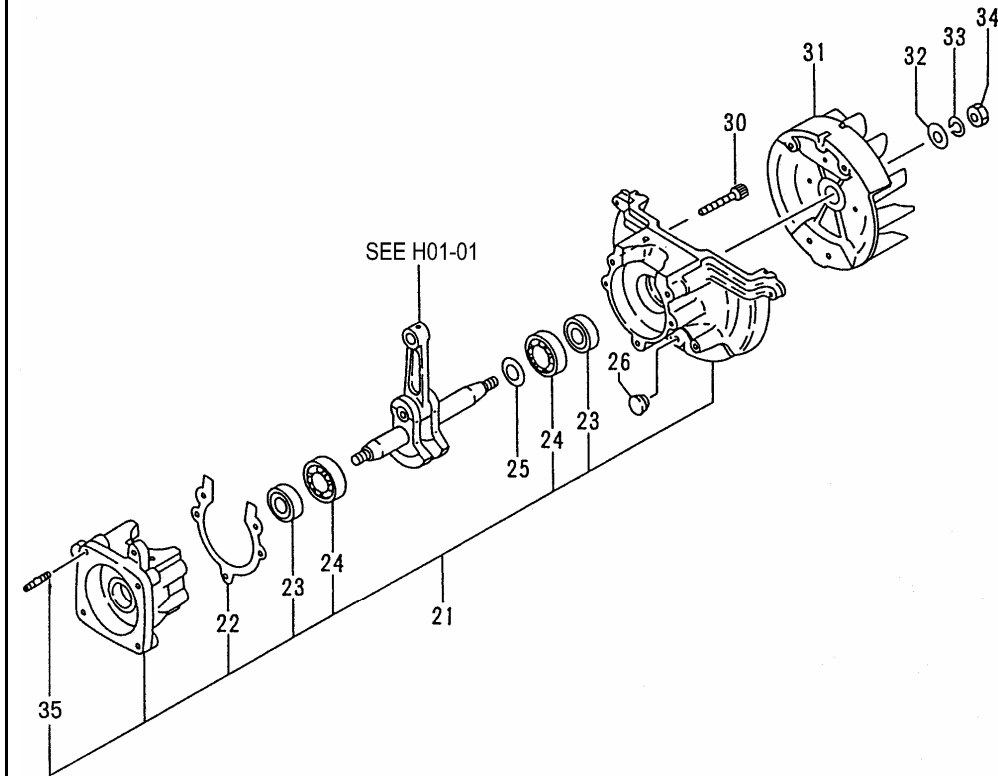
**H01-01**

**CH55EB(ST) CYLINDER/PISTON/CRANK SHAFT**



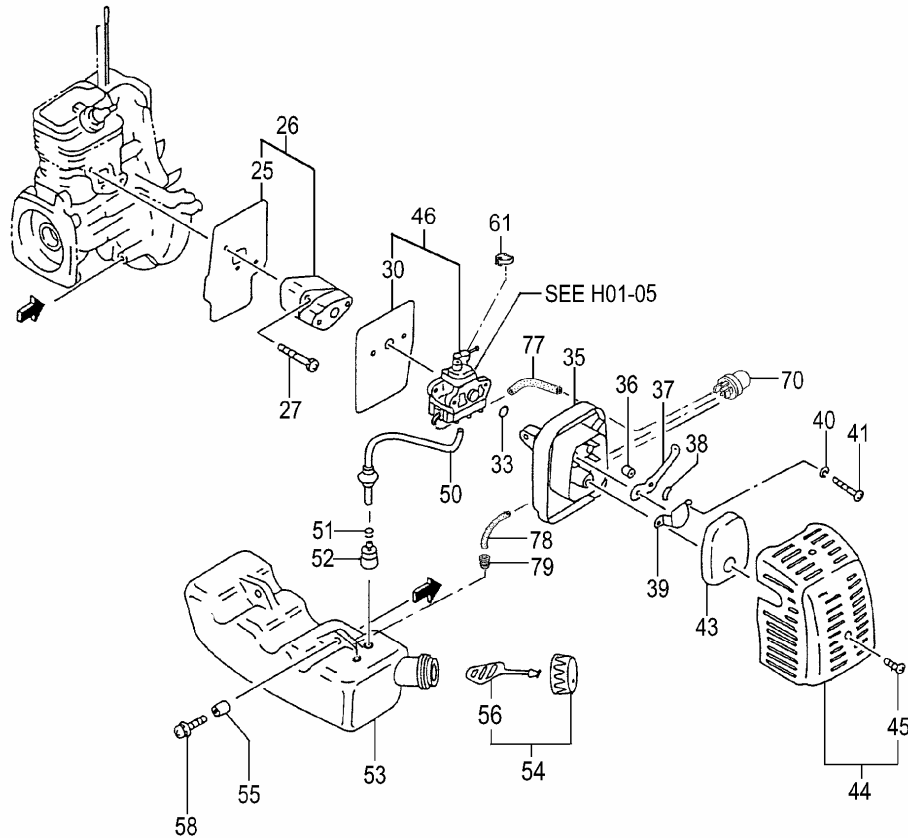
REF. NUMBER	PARTS NUMBER	DESCRIPTION	Q'TY	SERIAL NUMBER
001	157-06500-91	SPARK PLUG CAP ASS'Y	1	
002	018-00555-20	SPARK PLUG, RCJ8Y	1	
003	001-0650A-90	CYLINDER SET	1	
004	994-61050-184	HEX. HOLE BOLT 5X18/S	2	
007	017-06500-20	CYLINDER GASKET	1	
008	041-00601-21	PISTON RING	1	
009	030-0650A-90	PISTON SET	1	
010	037-06500-20	PISTON PIN	1	
011	039-01620-20	PISTON PIN CIRCLIP	2	
012	046-06500-80	CRANK SHAFT COMP.	1	
013	999-62081-225	NEEDLE BRG F-810 1.4X8.5	1	
027	153-21532-90	IGNITION COIL ASS'Y	1	
028	994-64040-184	HEX. HOLE BOLT 4X18WS	2	
029	274-0700D-80	CORD, B130M	1	
036	250-06500-20	INSULATOR TUBE, 50L	1	
037	178-06500-80	CORD	1	
038	167-21532-80	IGNITION COIL COMP.	1	

**H01-02 CH55EB(ST) CRANK CASE**



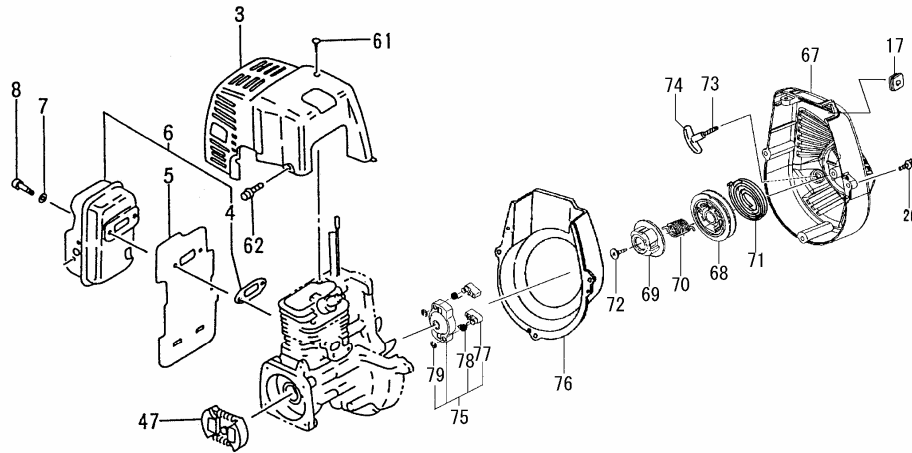
REF. NUMBER	PARTS NUMBER	DESCRIPTION	Q'TY	SERIAL NUMBER
021	072-06500-90	CRANK CASE ASS'Y	1	
022	090-06500-20	CRANKCASE GASKET	1	
023	999-66122-200	OIL SEAL TB 12227	2	
024	999-61600-115	BALL BEARING 6001 C3	2	
025	330-00200-23	GEAR SHAFT SHIM 0.20	V	
025	330-00200-24	GEAR SHAFT SHIM 0.30	V	
026	599-00601-20	GROMET	1	
030	994-61050-304	HEX. HOLE BOLT 5X30S	3	
031	155-21523-80	MAGNETO ROTOR COMP.	1	
032	992-01080-011	WASHER 8	1	
033	992-10080-012	S.WASHER 8	1	
034	991-01080-011	HEX. NUT 8	1	
035	100-02100-20	STUD BOLT 6X22	2	

# H01-03 CH55EB(ST) ENGINE-1



REF. NUMBER	PARTS NUMBER	DESCRIPTION	Q'TY	SERIAL NUMBER
025	403-06500-20	INTAKE PIPE GASKET	1	
026	404-06500-90	CARB. INSULATOR SET, SPAC	1	
027	994-64050-254	HEX. HOLE BOLT 5X25WS	2	
030	402-06500-20	CARBURETOR GASKET	1	
033	999-67015-000	O-RING P-15	1	
035	423-06500-81	CLEANER BODY COMP.	1	
036	470-06500-20	COLLAR 7.5	2	
037	528-0650T-20	CHOKE VALVE	1	
038	992-04080-031	WAVE WASHER 8	1	
039	476-01700-20	BLOW OVER CHECK BOARD	1	
040	992-10050-012	S.WASHER 5	2	
041	990-11050-602	SCREW 5X60	2	
043	446-06500-21	CLEANER SPONGE	1	
044	452-06500-91	CLEANER COVER ASS'Y	1	
045	380-0637C-20	SPECIAL SCREW	1	
046	455-0651A-90	CARBURETOR SET, WYL120	1	
050	223-06500-90	FUEL PIPE ASS'Y L=130	1	
051	680-00731-20	CLIP, 6.3 DIA.	1	
052	675-04042-80	PUMP FILTER BODY COMP.	1	
053	591-06504-22	FUEL TANK	1	
054	595-00093-90	TANK CAP D ASS'Y ORANGE	1	
055	659-00801-20	COLLAR 5.8	2	
056	626-32550-20	TANK CAP CHAIN	1	
058	994-63050-185	HEX. HOLE BOLT 5X18PS	2	
061	560-07120-20	SWIVEL CAP	1	
070	442-25143-80	PRIMING PUMP COMP.	1	
077	700-02504-08	FUEL PIPE 2.5X4X80	1	
078	700-02504-07	FUEL PIPE 2.5X4X70	1	
079	534-32710-20	RETURN GROMMET	1	

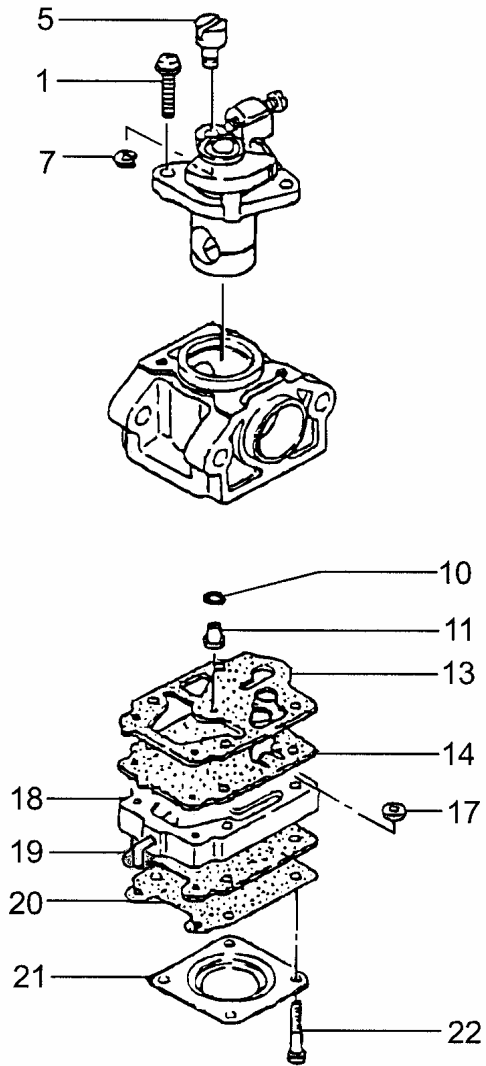
**H01-04 CH55EB(ST) ENGINE-2**



REF. NUMBER	PARTS NUMBER	DESCRIPTION	Q'TY	SERIAL NUMBER
003	738-06500-20	MUFFLER PROTECTOR	1	
004	737-06500-20	MUFFLER GASKET	1	
005	133-06500-20	HEAT SHIELD	1	
006	704-06511-91	MUFFLER SET	1	
007	992-01050-011	WASHER 5	2	
008	990-51050-503	HEX. HOLE BOLT 5X50	2	
017	203-0604A-20	GROMMET	1	
020	994-63040-184	HEX.HOLE BOLT 4X18PS	3	
047	277-0634F-91	CLUTCH A'SSY	1	
061	990-72045-164	TAPPING SCREW 4.5X16	1	
062	994-25040-128	BOLT 4X12PS	2	
067	112-0651H-80	FAN CASE COMP.	1	
068	774-0651H-20	STARTER PULLY	1	
069	759-0651H-20	CAM PLATE	1	
070	758-0651H-20	DUMPER SPRING	1	
071	780-06097-20	RECOIL SPRING	1	
072	839-03045-20	SET SCREW	1	
073	783-0651H-20	ROPE 3X890	1	
074	785-06410-20	STARTER HANDLE	1	
075	798-0651H-90	STARTER PULLY ASS'Y	1	
076	132-06602-20	DEFLECTOR	1	
077	788-0651H-20	STATER SPRING	2	
078	790-06097-20	STARTER PAWL SPRING	2	
079	993-55050-000	STOP RING E-5	2	

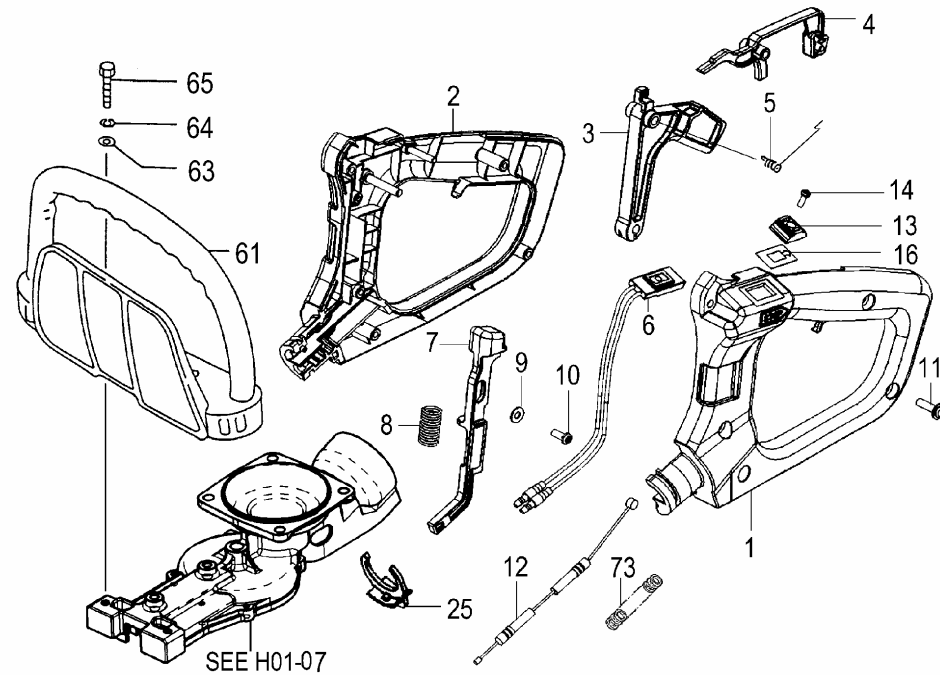
**H01-05**

**CH55EB(ST) CARBURETOR**



REF. NUMBER	PARTS NUMBER	DESCRIPTION	Q'TY	SERIAL NUMBER
001	548-25140-20	THROTTLE SET SCREW	2	
005	539-25120-20	SWIVEL	1	
007	489-25100-20	STOP RING	1	
010	550-25100-20	O-RING	1	
011	599-200BW-34	MAIN JET #34.5	1	
013	577-25100-20	PUMP GASKET	1	
014	576-25100-20	PUMP DIAPHRAGM	1	
017	578-25007-20	INLET SCREEN	1	
018	575-25147-80	PUMP BODY COMP.	1	
019	475-25038-20	DIAPHRAGM GASKET	1	
020	474-25001-80	METERING DIAPHRAGM COM	1	
021	476-25004-20	DIAPHRAGM COVER	1	
022	548-25101-20	SET SCREW	4	

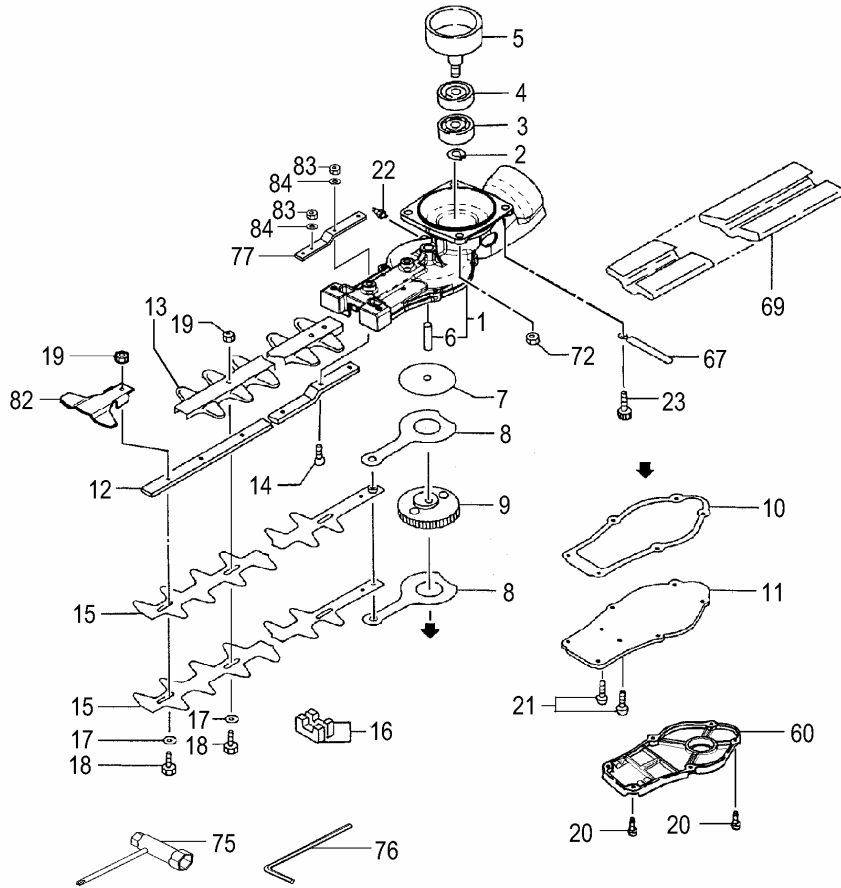
# H01-06 CH55EB(ST) HANDLE



REF. NUMBER	PARTS NUMBER	DESCRIPTION	Q'TY	SERIAL NUMBER
001	051-33290-20	HANDLE B	1	
002	050-33290-20	HANDLE A	1	
003	230-33290-20	THROTTLE LEVER	1	
004	231-33290-20	SAFETY LEVER	1	
005	232-33160-20	THROTTLE LEVER SPRING	1	
006	170-32465-80	STOP SWITCH COMP.	1	
007	233-33290-20	LOCK LEVER	1	
008	245-33290-20	SPRING	1	
009	992-01040-011	WASHER 4	1	
010	993-41040-101	SCREW 4X10	1	
011	990-72045-164	TAPPING SCREW 4.5X16	5	
012	885-33295-80	THROTTLE WIRE COMP.	1	
013	258-11650-20	BUTTON STOP	1	
014	994-31030-101	SCREW 3X10	1	
016	925-33160-20	STOP BUTTON MARK	1	
025	505-33196-20	CLIP BLACK	1	
061	210-33160-22	FRONT HANDLE	1	
063	368-32057-20	BRAKE SHAFT WASHER	2	
064	992-10050-062	S.WASHER 5	2	
065	990-51050-403	HEX. HOLE BOLT 5X40	2	
073	164-07013-01	PROTECTION TUBE 130L	1	

**H01-07**

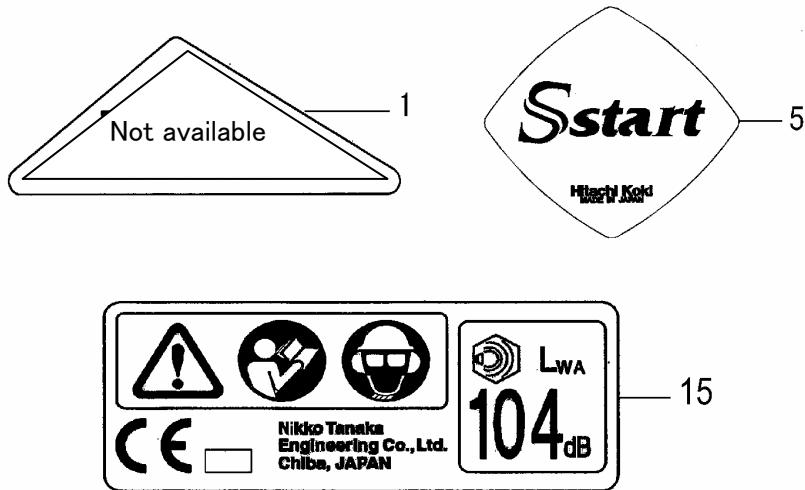
**CH55EB(ST) GEAR CASE/BLADE**



REF. NUMBER	PARTS NUMBER	DESCRIPTION	Q'TY	SERIAL NUMBER
001	300-73050-80	GEAR CASE COMP.	1	
002	993-50015-002	STOP RING C-15, OUTER	1	
003	999-61600-200	BALL BEARING #6002, 32MM	1	
004	999-61600-202	BALL BEARING #6002Z, 32MM	1	
005	288-33180-80	CLUTCH DRUM COMP.	1	
006	305-33160-20	GEAR SHAFT	1	
007	075-33160-20	GUIDE PLATE	1	
008	101-33190-20	CAM ROD	2	
009	307-33180-20	GEAR 2	1	
010	303-33160-20	GEAR CASE GASKET	1	
011	630-33160-20	GEAR CASE COVER	1	
012	122-33178-20	CUTTER GUIDE 625.5L M6	1	
013	136-33160-20	PROTECTION PLATE	1	
014	990-52060-255	HEX. HOLE FLUSH BOLT 6X2	2	
015	120-33160-22	CUTTER A	2	
016	085-33160-20	GREASE SEAL A	2	
017	129-33202-20	WASHER 7 BLACK	4	
018	124-32287-20	FIXING BOLT A M6	4	
019	991-82060-001	FLANGE NUT 6	3	
020	994-61040-124	HEX. HOLE BOLT 4X12S	6	
021	994-61040-104	HEX. HOLE BOLT 4X10S	2	
022	300-32250-80	GREASE NIPPLE COMP.	1	
023	994-61060-184	HEX. HOLE BOLT 6X18/S	2	
060	301-33183-21	GEAR CASE B	1	
067	198-10246-80	CORD CLAMP COMP.	1	
069	138-33168-20	CUTTER COVER	1	
072	994-40060-011	SPRING NUT 6	2	
075	036-29331-50	COMBI. BOX SPANNER 10X1	1	
076	813-20000-20	HEX. WRENCH 4	1	
077	462-33295-21	SUPPORT PLATE	1	
082	135-33191-20	GUARD PLATE	1	
083	991-87060-001	NUT 6 UPS-P	3	
084	992-01060-011	WASHER 6	3	
#REF!	#REF!	#REF!	####	# #REF! #
#REF!	#REF!	#REF!	####	# #REF! #
#REF!	#REF!	#REF!	####	# #REF! #
#REF!	#REF!	#REF!	####	# #REF! #

**H01-08**

**CH55EB(ST) LABELS**



REF. NUMBER	PARTS NUMBER	DESCRIPTION	Q'TY	SERIAL NUMBER
001	906-51701-21	NAME PLATE CH55EB(ST)	1	
005	915-51700-21	RECOIL MARK	1	
015	919-06620-22	CAUTION MARK A	1	
#REF!	#REF!	#REF!	####	# #REF! #
#REF!	#REF!	#REF!	####	# #REF! #