

# Vue éclatée modèle CH 55EPC (S) - débroussailleuse

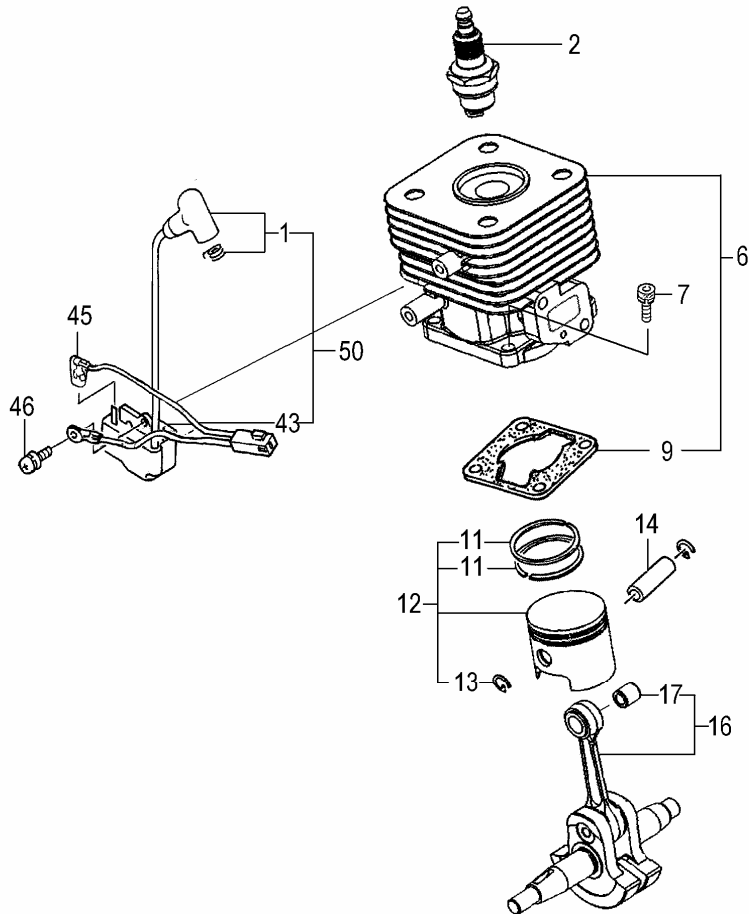
Serial n° xx

ITEM N°	CODE N°	DESCRIPTION	N° Used	x	x	x	x	x	x	x
		<b>MODEL:CH55EPCS</b>								0
		H49-01 CYLINDER/PISTON/CRANK								0
001	157-01680-90	PLUG CAP ASS'Y	1							0 *07
002	018-00555-20	SPARK PLUG, RCJ8Y	1							0 83801
006	001-07355-90	CYLNDER SET	1							0
007	994-61050-184	HEX. HOLE BOLT 5X18/S	4							0
009	017-07355-20	CYLINDER GASKET T=1.0	1							0
011	041-01700-20	PISTON RING	2							0
012	030-07350-90	PISTON SET	1							0
013	039-00601-20	PISTON PIN CIRCLIP	2							0
014	037-07045-20	PISTON PIN	1							0
016	046-07350-82	CRANK SHAFT COMP.	1							0
017	999-62081-225	NEEDLE BRG F-810 1.4X8.5	1							0
043	167-21012-80	IGNITION COIL COMP.	1							0
045	191-01680-90	LEAD WIRE ASS'Y	1							0
046	994-64040-184	HEX. HOLE BOLT 4X18WS	2							0
050	167-21012-90	IGNITION COIL ASSY	1							0
		H49-02 CRANK CASE								0
019	330-00200-23	GEAR SHAFT SHIM 0.20	V							0
019	330-00200-24	GEAR SHAFT SHIM 0.30	V							0
024	155-21012-81	MAGNETO ROTOR COMP.	1							0
025	991-01080-011	HEX. NUT 8	1							0
027	992-01080-011	WASHER 8	1							0
031	072-03045-93	CRANK CASE ASS'Y	1							0
032	999-66122-200	OIL SEAL TB 12227	2							0
033	999-61600-115	BALL BEARING 6001 C3	2							0
034	090-07350-22	CRANK CASE GASKET	1							0
036	994-61050-164	HEX. HOLE BOLT 5X16S	4							0
		H49-03 ENGINE-1								0
080	403-07020-21	INLET MANIFORD GASKET	1							0
081	404-07020-91	INSULATOR SET	1							0
082	994-64050-254	HEX. HOLE BOLT 5X25WS	2							0
085	402-0602K-21	CARBURETOR GASKET	2							0
086	528-07355-22	CHOKE LEVER 1.5	1							0
088	423-0652N-80	CLEANER BODY COMP.	1							0
089	446-0652N-20	CLEANER SPONGE	1							0
090	452-07035-90	CLEANER COVER ASS'Y	1							0
091	450-07024-80	COVER FIXING BOLT	1							0
094	994-14050-571	SCREW 5X57/S	2							0
096	992-00050-011	SMALL WASHER 5	2							0
098	455-07355-90	CABURETOR SET WYJ-431	1							0
099	523-0652N-20	CHOKE CONTROL LEVER	1							0
100	591-07355-22	TANK ORG	1							0
109	659-04300-20	COLLAR C	3							0
110	534-32710-20	RETURN GROMMET	1							0
111	700-03005-06	FUEL PIPE 3X5X60	1							0
112	675-04042-80	PUMP FILTER BODY COMP.	1							0
113	680-00731-20	CLIP, 6.3 DIA.	1							0
114	223-0097A-90	FUEL PIPE ASS'Y	1							0

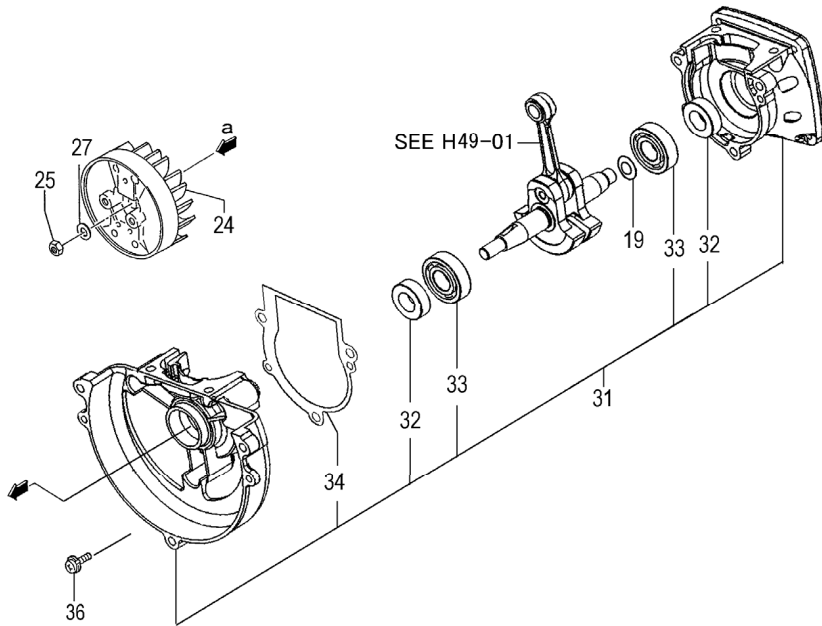


ITEM N°	CODE N°	DESCRIPTION	N° Used	x	x	x	x	x	x	x
		<b>MODEL:CH55EPCS</b>								0
016	544-25164-20	CABLE ADJUSTER STAY	1							0
017	613-25100-20	CABLE ADJUST NUT	1							0
018	614-25137-20	CABLE ADJUSTER	1							0
019	431-0634C-20	CLEANER PACKING	1							0
020	548-25151-20	SET SCREW	4							0
021	549-25165-20	THRUST WASHER	1							0
201	578-25007-20	INLET SCREEN	1							0
		H49-07 FANCASE								0
001	289-03070-80	CLUTCH DRUM COMP.	1							0
003	993-50012-002	STOP RING C-12, OUTER	1							0
005	599-00980-21	CUSHION RUBBER	1							0
006	990-51050-163	HEX. HOLE BOLT 5X16	1							0
008	994-61050-254	HEX. HOLE BOLT 5X25/S	1							0
011	112-03045-80	FAN CASE COMP.	1							0
015	360-00996-20	PIPE HOLDER,24 DIA.	1							0
026	992-01050-061	WASHER 5	1							0
027	324-37350-20	GEAR CASE WASHER	1							0
028	361-00990-20	METAL FITTING	1							0
		H49-08 OPERATION PIPE								0
001	343-37618-20	DRIVE SHAFT, 1483L	1							0
002	341-37623-82	DRIVE SHAFT PIPE COMP.	1							0
003	347-38360-90	BUSH ASS'Y	5							0
004	991-01060-041	HEX. NUT 6	2							0
005	500-37286-20	LOOP HANDLE, 24 DIA.,BLACK	1							0
006	506-37300-20	HANDLE BRACKET A	1							0
007	503-3738E-20	HANDLE GRIP	1							0
008	994-23060-432	BOLT 6X43/P	2							0
010	993-11052-012	TAPPING SCREW 5X20	1							0
011	368-32350-20	BRAKE SHAFT WASHER	1							0
016	335-37526-90	LIFTING METAL ASS'Y	1							0
025	870-38400-90	THROTTLE LEVER ASS'Y, 24 DIA.	1							0
050	746-37540-91	SHOULDER BELT ASS'Y	1							0
083	885-38400-80	THROTTLE WIRE COMP.	1							0
084	887-38400-80	THROTTLE WIRE	1							0
085	156-38400-80	STOP SWITCH COMP.	1							0
086	164-07017-50	PROTECTION TUBE 7X175	1							0
098	253-38400-20	SAFETY LEVER	1							0
100	832-38400-20	RETURN SPRING	1							0
103	881-38400-80	THROTTLE STOPPER COMP.	1							0
110	994-31050-203	SCREW 5X20	2							0
111	991-01050-043	CONTAL NUT 5	2							0
112	993-46040-202	SCREW 4X20, BLACK	4							0
125	880-38400-20	THROTTLE LEVER	1							0
		H49-09 GEAR CASE								0
001	300-32287-21	GEAR CASE A,24 DIA	1							0
003	999-61690-101	BALL BEARING 6901ZZ, 24MM/OD	2							0
004	993-52012-002	STOP RING S-12,OUTER	1							0
005	993-51024-002	STOP RING C-24, INNER	1							0
006	999-61608-013	BALL BEARING 608 ZZ C3	1							0
007	993-51022-002	STOP RING C-22, INNER	1							0
008	300-32250-80	GREASE NIPPLE COMP.	3							0
011	990-51050-103	HEX. HOLE BOLT 5X10	1							0
012	994-61050-254	HEX. HOLE BOLT 5X25/S	1							0
013	990-53060-125	HEX. HOLE BOLT 6X12	2							0



**H49-01****CH55EPC(S) CLYNDER/PISTON/CRANK SHAFT**

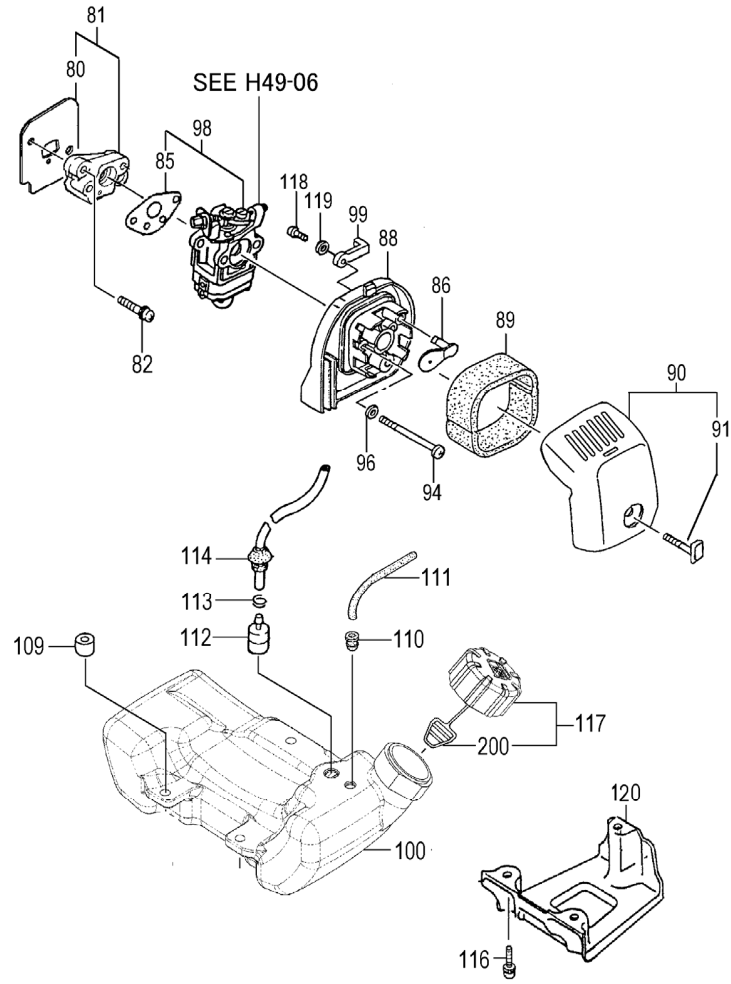
REF. NUMBER	PARTS NUMBER	DESCRIPTION	Q'TY	SERIAL NUMBER
001	157-01680-90	PLUG CAP ASS'Y	1	
002	018-00555-20	SPARK PLUG, RCJ8Y	1	
006	001-07355-90	CYLINDER SET	1	
007	994-61050-184	HEX. HOLE BOLT 5X18/S	4	
009	017-07355-20	CYLINDER GASKET T=1.0	1	
011	041-01700-20	PISTON RING	2	
012	030-07350-90	PISTON SET	1	
013	039-00601-20	PISTON PIN CIRCLIP	2	
014	037-07045-20	PISTON PIN	1	
016	046-07350-82	CRANK SHAFT COMP.	1	
017	999-62081-225	NEEDLE BRG F-810 1.4X8.5	1	
043	167-21012-80	IGNITION COIL COMP.	1	
045	191-01680-90	LEAD WIRE ASS'Y	1	
046	994-64040-184	HEX. HOLE BOLT 4X18WS	2	
050	167-21012-90	IGNITION COIL ASSY	1	

**H49-02****CH55EPC(S) CRANK CASE**

REF. NUMBER	PARTS NUMBER	DESCRIPTION	Q'TY	SERIAL NUMBER
019	330-00200-23	GEAR SHAFT SHIM 0.20	V	
019	330-00200-24	GEAR SHAFT SHIM 0.30	V	
024	155-21012-81	MAGNETO ROTOR COMP.	1	
025	991-01080-011	HEX. NUT 8	1	
027	992-01080-011	WASHER 8	1	
031	072-03045-93	CRANK CASE ASS'Y	1	
032	999-66122-200	OIL SEAL TB 12227	2	
033	999-61600-115	BALL BEARING 6001 C3	2	
034	090-07350-22	CRANK CASE GASKET	1	
036	994-61050-164	HEX. HOLE BOLT 5X16S	4	

**H19-03**

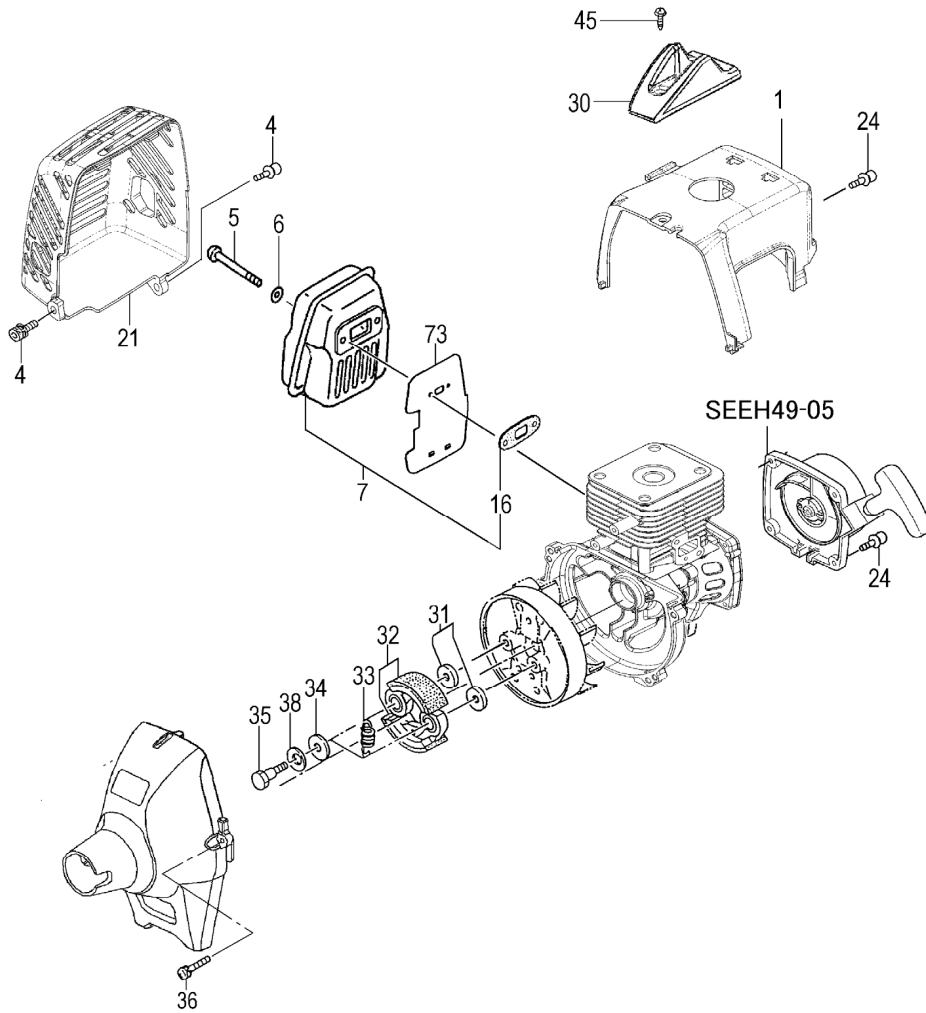
**CH55EPC(S) ENGINE-1**



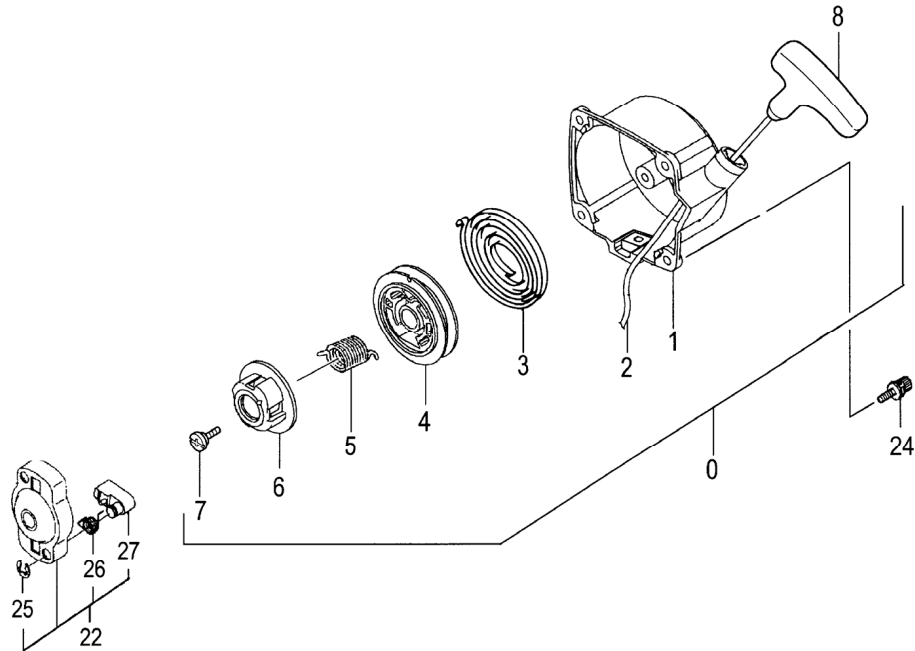
REF. NUMBER	PARTS NUMBER	DESCRIPTION	Q'TY	SERIAL NUMBER
080	403-07020-21	INLET MANIFORD GASKET	1	
081	404-07020-91	INSULATOR SET	1	
082	994-64050-254	HEX. HOLE BOLT 5X25WS	2	
085	402-0602K-21	CARBURETOR GASKET	2	
086	528-07355-22	CHOKE LEVER 1.5	1	
088	423-0652N-80	CLEANER BODY COMP.	1	
089	446-0652N-20	CLEANER SPONGE	1	
090	452-07035-90	CLEANER COVER ASS'Y	1	
091	450-07024-80	COVER FIXING BOLT	1	
094	994-14050-571	SCREW 5X57/S	2	
096	992-00050-011	SMALL WASHER 5	2	
098	455-07355-90	CABURETOR SET WYJ-431	1	
099	523-0652N-20	CHOKE CONTROL LEVER	1	
100	591-07355-22	TANK ORG	1	
109	659-04300-20	COLLAR C	3	
110	534-32710-20	RETURN GROMMET	1	
111	700-03005-06	FUEL PIPE 3X5X60	1	
112	675-04042-80	PUMP FILTER BODY COMP.	1	
113	680-00731-20	CLIP, 6.3 DIA.	1	
114	223-0097A-90	FUEL PIPE ASS'Y	1	
116	994-63050-204	HEX.HOLE BOLT 5X20PS	3	
117	595-01690-90	TANK CAP ASS'Y (BLACK)	1	
118	993-49040-142	TAP SCREW 4X14 P	1	
119	992-01040-011	WASHER 4	1	
120	940-07350-20	STAND	1	
200	626-32550-20	TANK CAP CHAIN	1	

**H19-04**

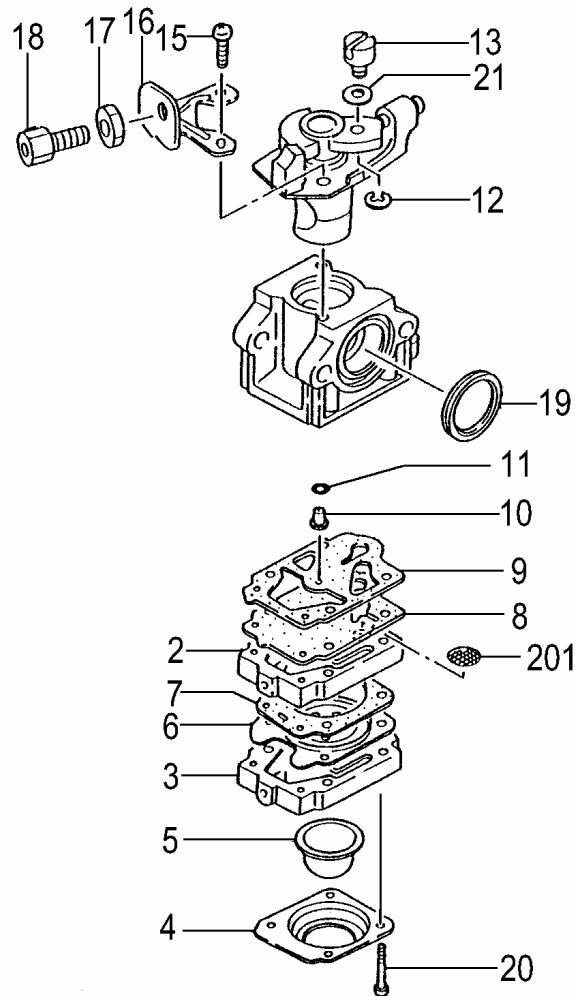
**CH55EPC(S) ENGINE-2**



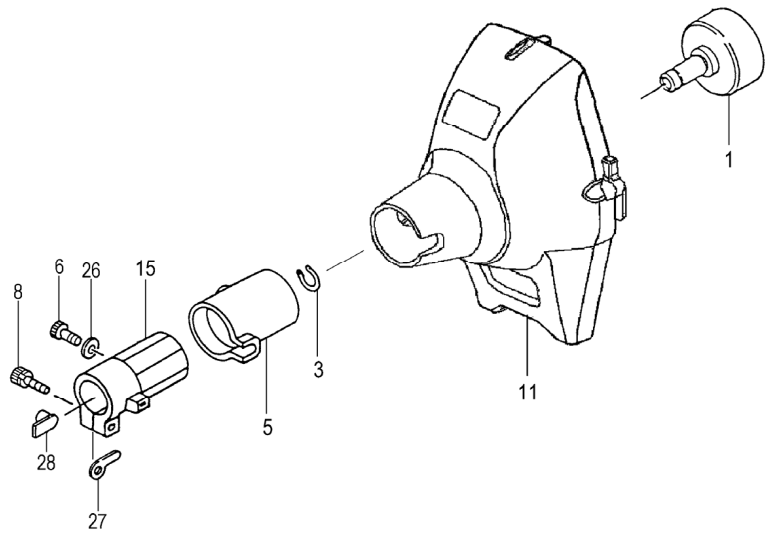
REF. NUMBER	PARTS NUMBER	DESCRIPTION	Q'TY	SERIAL NUMBER
001	016-07350-20	CYLINDER COVER	1	
004	994-63050-164	HEX.HOLE BOLT 5X16/PS	2	
005	990-51060-553	HEX HOLE BOLT 6X55	2	
006	992-01060-011	WASHER 6	2	
007	704-07350-90	MUFFLER SET	1	
016	737-0165A-20	MUFFLER GASKET	1	
021	738-07350-20	MUFFLER PROTECTOR	1	
024	994-64040-185	HEX. HOLE BOLT 4X18WS	2	
030	257-03046-20	PLUG CAP	1	
031	359-02103-20	CLUTCH WASHER B	2	
032	290-01620-80	CLUTCH SHOE COMP.	2	
033	342-0630B-20	CLUTCH SPRING	1	
034	348-0630A-20	CLUTCH PLATE A 0.5	2	
035	357-0075T-20	STEP BOLT	2	
036	994-63050-204	HEX.HOLE BOLT 5X20PS	3	
038	992-05080-030	BENT WASHER 8	2	
045	990-72045-164	TAPPING SCREW 4.5X16	1	
073	133-07350-20	HEAT SHIELD	1	

**H19-05****CH55EPC(S) RECOIL STARTER**

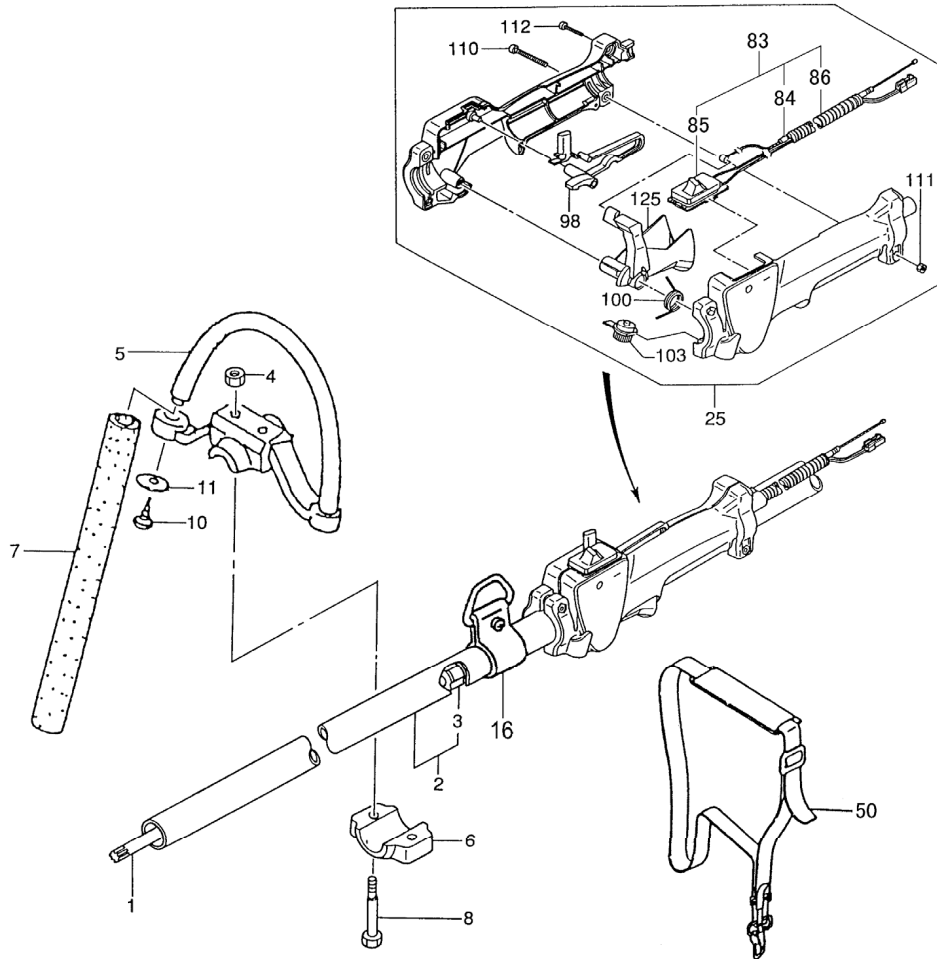
REF. NUMBER	PARTS NUMBER	DESCRIPTION	Q'TY	SERIAL NUMBER
000	762-07350-90	RECOIL STARTER BODY ASS	1	
001	772-07350-80	RECOIL STARTER BODY CO	1	
002	783-0720F-20	STARTER ROPE 3.5X860	1	
003	780-06097-20	RECOIL SPRING	1	
004	774-0720F-20	STARTER ROPE REEL	1	
005	758-0651H-20	DUMPER SPRING	1	
006	759-0651H-20	CAM PLATE	1	
007	839-03045-20	SET SCREW	1	
008	785-03045-20	STARTER HANDLE	1	
022	798-0651H-90	STARTER PULLEY ASS'Y	1	
024	994-64040-185	HEX. HOLE BOLT 4X18WS	2	
025	993-55050-000	STOP RING E-5	2	
026	790-06097-20	STARTER PAWL SPRING	2	
027	788-0651H-20	STARTER PAWL	2	

**H49-06****CH55EPC(S) CABURETPR**

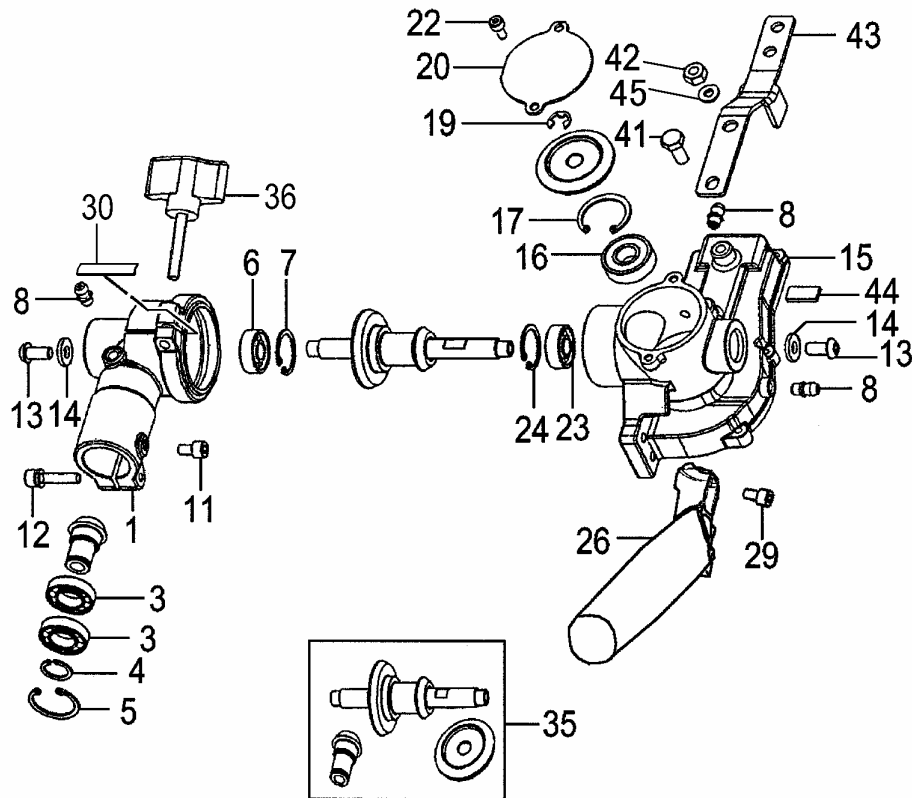
REF. NUMBER	PARTS NUMBER	DESCRIPTION	Q'TY	SERIAL NUMBER
002	575-25153-80	PUMP BODY COMP	1	
003	442-25151-80	PRIMING PUMP COMP.	1	
004	476-25151-20	DIAPHRAGM COVER	1	
005	447-25108-20	PRIMING BODY	1	
006	474-25241-80	METERING DIAPHRAGM COM	1	
007	475-25153-20	DIAPHRAGM GASKET	1	
008	576-25100-20	PUMP DIAPHRAGM	1	
009	577-25292-20	PUMP GASKET	1	
010	599-2000W-42	MAIN JET #42	1	
011	550-25100-20	O-RING	1	
012	489-25100-20	STOP RING	1	
013	539-25120-20	SWIVEL	1	
015	514-25100-20	THROTTLE SET SCREW	2	
016	544-25164-20	CABLE ADJUSTER STAY	1	
017	613-25100-20	CABLE ADJUST NUT	1	
018	614-25137-20	CABLE ADJUSTER	1	
019	431-0634C-20	CLEANER PACKING	1	
020	548-25151-20	SET SCREW	4	
021	549-25165-20	THRUST WASHER	1	
201	578-25007-20	INLET SCREEN	1	

**H49-07****CH55EPC(S) FAN CASE**

REF. NUMBER	PARTS NUMBER	DESCRIPTION	Q'TY	SERIAL NUMBER
001	289-03070-80	CLUTCH DRUM COMP.	1	
003	993-50012-002	STOP RING C-12, OUTER	1	
005	599-00980-21	CUSHION RUBBER	1	
006	990-51050-163	HEX. HOLE BOLT 5X16	1	
008	994-61050-254	HEX. HOLE BOLT 5X25/S	1	
011	112-03045-80	FAN CASE COMP.	1	
015	360-00996-20	PIPE HOLDER,24 DIA.	1	
026	992-01050-061	WASHER 5	1	
027	324-37350-20	GEAR CASE WASHER	1	
028	361-00990-20	METAL FITTING	1	

**H19-08****CH55EPC(S) OPERATION PIPE**

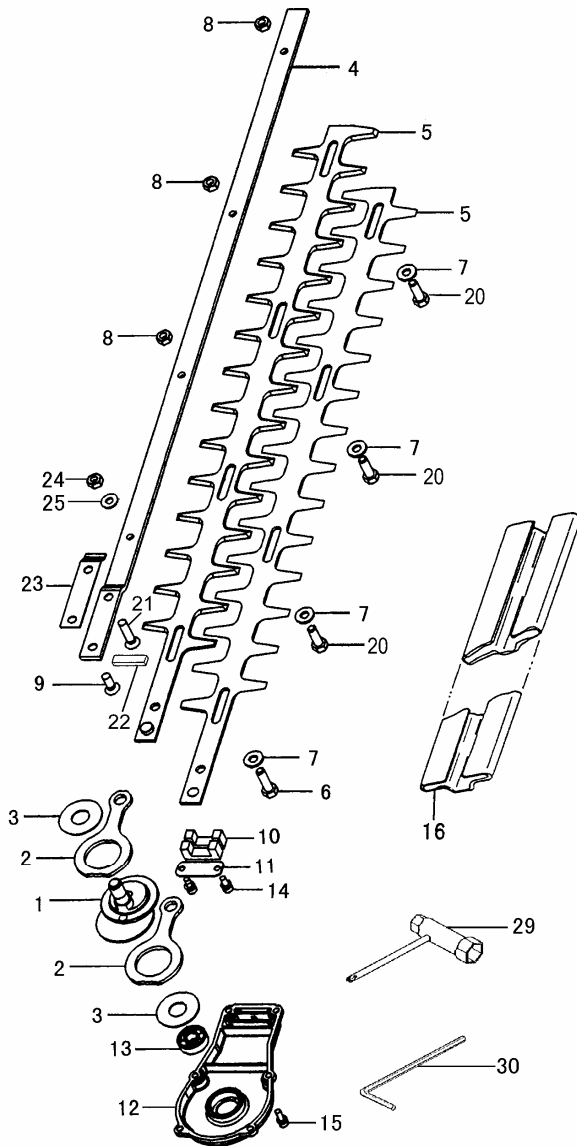
REF. NUMBER	PARTS NUMBER	DESCRIPTION	Q'TY	SERIAL NUMBER
001	343-37618-20	DRIVE SHAFT, 1483L	1	
002	341-37623-82	DRIVE SHAFT PIPE COMP.	1	
003	347-38360-90	BUSH ASS'Y	5	
004	991-01060-041	HEX. NUT 6	2	
005	500-37286-20	LOOP HANDLE, 24 DIA.,BLACK	1	
006	506-37300-20	HANDLE BRACKET A	1	
007	503-3738E-20	HANDLE GRIP	1	
008	994-23060-432	BOLT 6X43/P	2	
010	993-11052-012	TAPPING SCREW 5X20	1	
011	368-32350-20	BRAKE SHAFT WASHER	1	
016	335-37526-90	LIFTING METAL ASS'Y	1	
025	870-38400-90	THROTTLE LEVER ASS'Y, 24	1	
050	746-37540-91	SHOULDER BELT ASS'Y	1	
083	885-38400-80	THROTTLE WIRE COMP.	1	
084	887-38400-80	THROTTLE WIRE	1	
085	156-38400-80	STOP SWITCH COMP.	1	
086	164-07017-50	PROTECTION TUBE 7X175	1	
098	253-38400-20	SAFETY LEVER	1	
100	832-38400-20	RETURN SPRING	1	
103	881-38400-80	THROTTLE STOPPER COMP	1	
110	994-31050-203	SCREW 5X20	2	
111	991-01050-043	CONTAL NUT 5	2	
112	993-46040-202	SCREW 4X20, BLACK	4	
125	880-38400-20	THROTTLE LEVER	1	

**H49-09****CH55EPC(S) GEAR CASE**

REF. NUMBER	PARTS NUMBER	DESCRIPTION	Q'TY	SERIAL NUMBER
001	300-32287-21	GEAR CASE A,24 DIA	1	
003	999-61690-101	BALL BEARING 6901ZZ, 24MM	2	
004	993-52012-002	STOP RING S-12, OUTER	1	
005	993-51024-002	STOP RING C-24, INNER	1	
006	999-61608-013	BALL BEARING 608 ZZ C3	1	
007	993-51022-002	STOP RING C-22, INNER	1	
008	300-32250-80	GREASE NIPPLE COMP.	3	
011	990-51050-103	HEX. HOLE BOLT 5X10	1	
012	994-61050-254	HEX. HOLE BOLT 5X25/S	1	
013	990-53060-125	HEX. HOLE BOLT 6X12	2	
014	871-32600-20	SPECIAL WASHER B	2	
015	301-32286-21	GEAR CASE B	1	
016	999-61600-014	BALL BEARING #6000 2RS C3	1	
017	993-51026-002	STOP RING C-26, INNER	1	
019	993-55060-000	STOP RING E-6	1	
020	327-32280-20	GEAR CASE COVER A	1	
022	990-51040-085	HEX HOLE BOLT 4X8	2	
023	999-61608-013	BALL BEARING 608 ZZ C3	1	
024	993-51022-002	STOP RING C-22, INNER	1	
026	210-32286-20	HANDLE	1	
029	990-53060-153	HEX HOLE BUTTON SCREW	2	
030	088-32287-20	GREASE SEALED	1	
035	302-32286-01	GEAR SET	1	
036	512-32286-80	HANDLE KNOB A COMP.	1	
041	990-23060-141	PLUS BOLT 6X14	1	
042	991-87060-001	NUT 6 UPS-P	1	
043	462-32286-20	SUPPORT PLATE	1	
044	086-32286-20	GREASE SEAL B	1	
045	992-01060-011	WASHER 6	1	

**H49-10**

**CH55EPC(S) BLADE**



REF. NUMBER	PARTS NUMBER	DESCRIPTION	Q'TY	SERIAL NUMBER
001	100-32282-81	CAM SHAFT COMP.	1	
002	101-33160-22	CAM ROD	2	
003	075-32280-20	CAM-ROD GUIDE PLATE	2	
004	122-32286-21	CUTTER GUIDE 625.5MM	1	
005	120-32287-21	CUTTER A	2	
006	124-32287-20	FIXING BOLT A M6	1	
007	129-33202-20	WASHER 7 BLACK	4	
008	991-82060-001	FLANGE NUT 6	3	
009	990-52060-165	HEX HOLE FLUSH SCREW 6X2	1	
010	085-32286-20	GREASE SEAL A	2	
011	105-32280-20	CAM-ROD HOLDING PLATE	1	
012	328-32286-21	GEAR CASE COVER B	1	
013	999-61608-013	BALL BEARING 608 ZZ C3	1	
014	994-61040-104	HEX. HOLE BOLT 4X10S	2	
015	994-61040-124	HEX. HOLE BOLT 4X12S	6	
016	138-33168-20	CUTTER COVER	1	
020	125-32287-20	CUTTER FIXING BOLT B	3	
021	990-52060-255	HEX. HOLE FLUSH BOLT 6X2	1	
022	087-32286-20	GREASE SEAL B	1	
023	296-32286-20	SPACER	1	
024	991-87060-001	NUT 6 UPS-P	1	
025	992-01060-011	WASHER 6	1	
029	036-29331-50	COMBI. BOX SPANNER 10X1	1	
030	813-20000-20	HEX. WRENCH 4	1	

**H49-11**

**CH55EPC(S) LABELS**

REF. NUMBER	PARTS NUMBER	DESCRIPTION	Q'TY	SERIAL NUMBER
001	929-53600-20	SYMBOL MARK CH55EPC(S)	1	
002	915-73801-20	DECLA HITACHI	1	
005	919-73800-20	CAUTION MARK HITACHI	1	
009	907-32304-20	CUATION MARK	1	
010	915-07366-21	STARER MARK S·START	1	



1



2



5



10



9