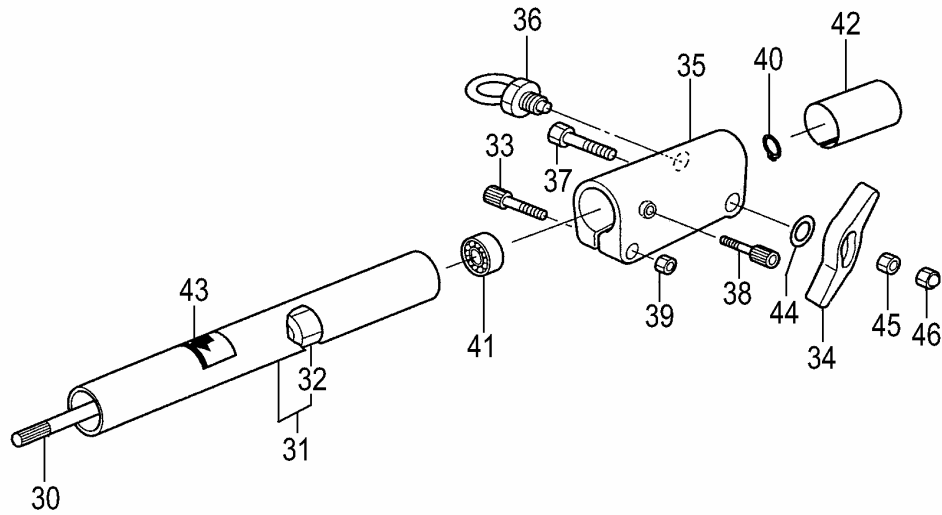
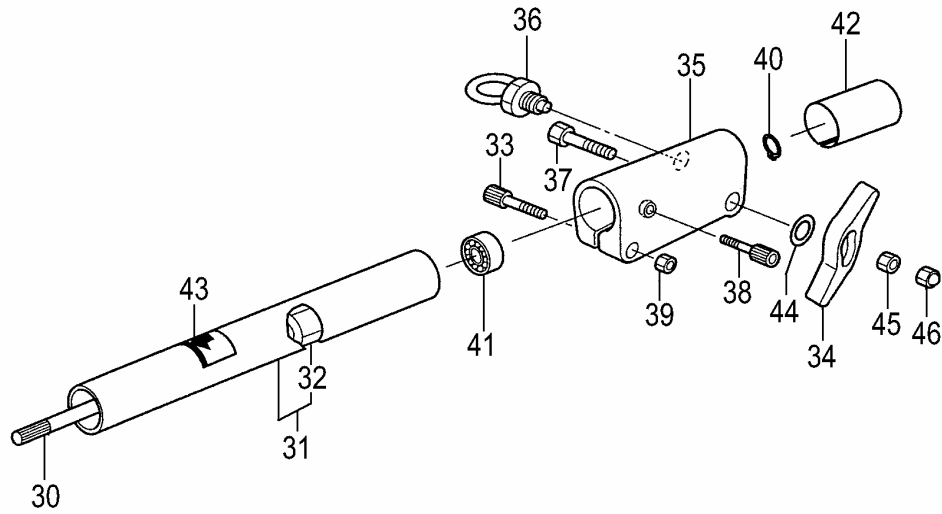


S36-01 CS-EX DRIVE SHAT



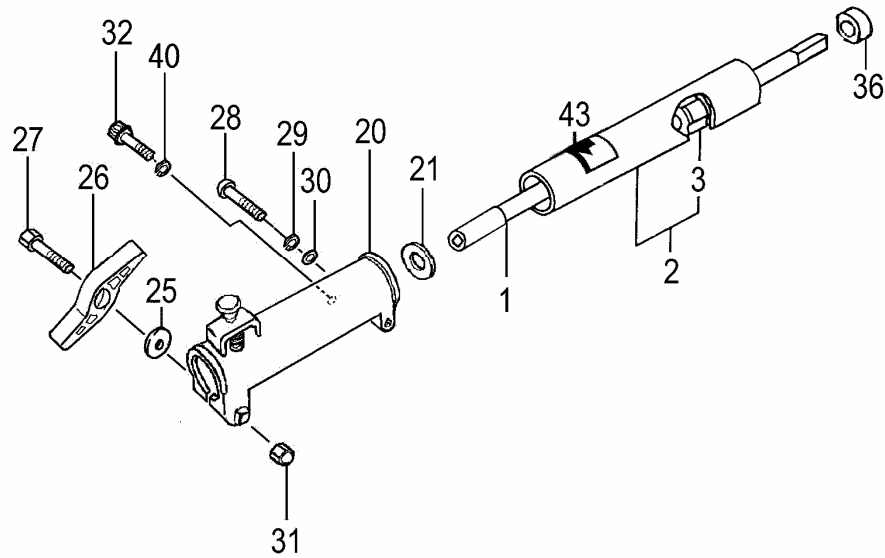
REF. NUMBER	PARTS NUMBER	DESCRIPTION	Q'TY	SERIAL NUMBER
030	343-32331-80	DRIVE SHAFT COMP.	1	
031	341-32308-82	DRIVE SHAFT PIPE COMP. 600	1	
032	347-38360-90	BUSH ASS'Y	1	
033	994-61050-254	HEX. HOLE BOLT 5X25/S	1	
034	512-3338P-20	HANDLE KNOB	1	
035	280-32331-22	JOINT CASE	1	
036	352-32331-80	LOCK PIN COMP.	1	
037	990-21060-504	HEX. BOLT 6X50	1	
038	990-51050-103	HEX. HOLE BOLT 5X10	1	
039	991-01050-041	NUT 5	1	
040	993-50010-002	STOP RING C-10, OUTER	1	
041	999-61690-001	BALL BEARING 6900ZZ, 22MM/0	1	
042	348-33130-20	COLLAR B	1	
043	923-33700-20	LEVEL MARK	1	
044	359-02103-20	CLUTCH WASHER B	1	
045	991-01060-011	NUT 6	1	
046	991-42060-012	CAP NUT 6	1	

S36-02 CS-EXB DRIVE SHAT



REF. NUMBER	PARTS NUMBER	DESCRIPTION	Q'TY	SERIAL NUMBER
030	343-30039-80	DRIVE SHAFT COMP.	1	
031	341-30039-81	DRIVE SHAFT COMP.900L	1	
032	347-38360-90	BUSH ASS'Y	2	
033	994-61050-254	HEX. HOLE BOLT 5X25/S	1	
034	512-3338P-20	HANDLE KNOB	1	
035	280-32331-22	JOINT CASE	1	
036	352-32331-80	LOCK PIN COMP.	1	
037	990-21060-504	HEX. BOLT 6X50	1	
038	990-51050-103	HEX. HOLE BOLT 5X10	1	
039	991-01050-041	NUT 5	1	
040	993-50010-002	STOP RING C-10, OUTER	1	
041	999-61690-001	BALL BEARING 6900ZZ, 22MM/O	1	
042	348-33130-20	COLLAR B	1	
043	923-33700-20	LEVEL MARK	1	
044	359-02103-20	CLUTCH WASHER B	1	
045	991-01060-011	NUT 6	1	
046	991-42060-012	CAP NUT 6	1	

S36-03 CG-EX DRIVE SHAT



REF. NUMBER	PARTS NUMBER	DESCRIPTION	Q'TY	SERIAL NUMBER
001	035-30045-80		1	
002	341-30045-80	DRIVE SHAFT COMP. L=900	1	
003	347-38360-90	BUSH ASS'Y	3	
020	280-38466-90	JOINT CASE ASSY	1	
021	320-33318-20	SPACER 1.6	1	
025	871-32600-20	SPECIAL WASHER B	1	
026	512-3338P-20	HANDLE KNOB	1	
027	990-21060-504	HEX. BOLT 6X50	1	
028	990-53060-353	HEX. HOLE BOLT 6X35	1	
029	992-10050-062	S.WASHER 5	1	
030	992-00060-061	SMALL WASHER 6 BLACK	1	
031	991-42060-012	CAP NUT 6	1	
032	990-51050-123	HEX. HOLE BOLT 5X12	1	
036	347-38466-20	BUSH	1	
040	992-10060-062	S.WASHER 6	1	
043	923-33700-20	LEVEL MARK	1	

#