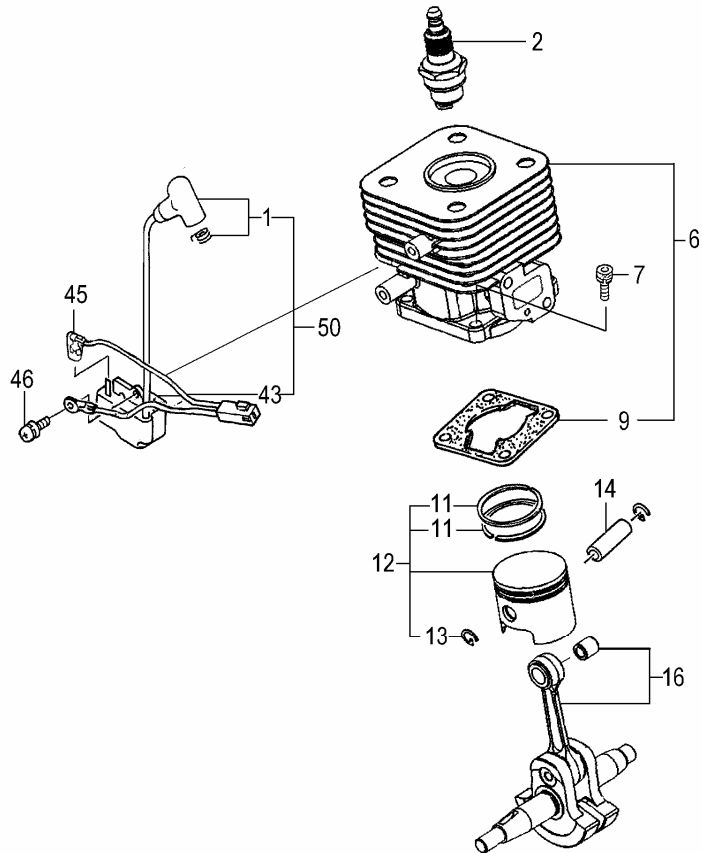


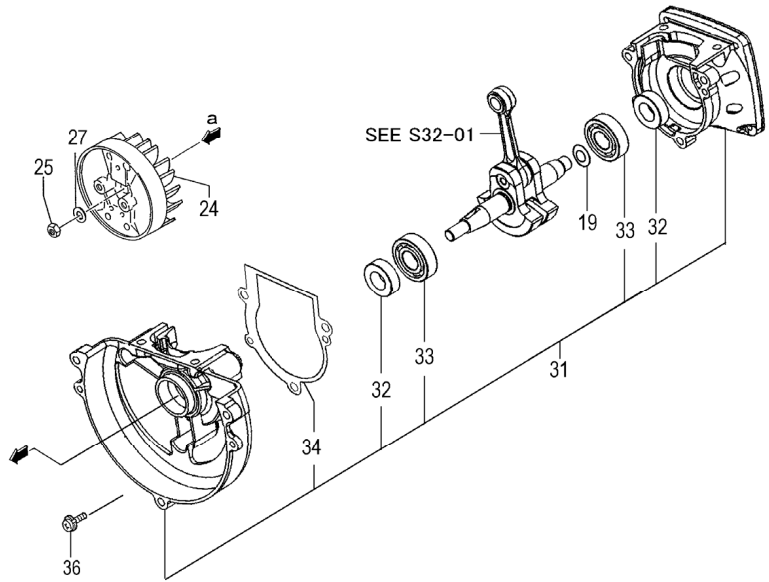
ITEM N°	CODE N°	DESCRIPTION	N° Used	x	x	x	x	x	x	x
		MODEL : CS25EPBS								0
118	993-49040-142	TAP SCREW 4X14 P	1							0
119	992-01040-011	WASHER 4	1							0
120	940-07350-20	STAND	1							0
200	626-32550-20	TANK CAP CHAIN	1							0
		C32-04 ENGINE-2								0
001	016-07350-20	CYLINDER COVER	1							0
004	994-63050-164	HEX.HOLE BOLT 5X16/PS	2							0
005	990-51060-553	HEX HOLE BOLT 6X55	2							0
006	992-01060-011	WASHER 6	2							0
007	704-07350-90	MUFFLER SET	1							0
016	737-0165A-20	MUFFLER GASKET	1							0
021	738-07350-20	MUFFLER PROTECTOR	1							0
024	994-64040-185	HEX. HOLE BOLT 4X18WS	2							0
030	257-03046-20	PLUG CAP	1							0
031	359-02103-20	CLUTCH WASHER B	2							0
032	290-01620-80	CLUTCH SHOE COMP.	2							0
033	342-0630B-20	CLUTCH SPRING	1							0
034	348-0630A-20	CLUTCH PLATE A 0.5	2							0
035	357-0075T-20	STEP BOLT	2							0
036	994-63050-204	HEX.HOLE BOLT 5X20PS	3							0
038	992-05080-030	BENT WASHER 8	2							0
045	990-72045-164	TAPPING SCREW 4.5X16	1							0
073	133-07350-20	HEAT SHIELD	1							0
		C32-05 RECOIL STARTER								0
000	762-07350-90	RECOIL STARTER BODY ASS'Y	1							0
001	772-07350-80	RECOIL STARTER BODY COMP.	1							0
002	783-0720F-20	STARTER ROPE 3.5X860	1							0
003	780-06097-20	RECOIL SPRING	1							0
004	774-0720F-20	STARTER ROPE REEL	1							0
005	758-0651H-20	DUMPER SPRING	1							0
006	759-0651H-20	CAM PLATE	1							0
007	839-03045-20	SET SCREW	1							0
008	785-03045-20	STARTER HANDLE	1							0
022	798-0651H-90	STARTER PULLEY ASS'Y	1							0
024	994-64040-185	HEX. HOLE BOLT 4X18WS	2							0
025	993-55050-000	STOP RING E-5	2							0
026	790-06097-20	STARTER PAWL SPRING	2							0
027	788-0651H-20	STARTER PAWL	2							0
		C32-06 CARBURETOR								0
002	575-25153-80	PUMP BODY COMP	1							0
003	442-25151-80	PRIMING PUMP COMP.	1							0
004	476-25151-20	DIAPHRAGM COVER	1							0
005	447-25108-20	PRIMING BODY	1							0
006	474-25241-80	METERING DIAPHRAGM COMP.	1							0
007	475-25153-20	DIAPHRAGM GASKET	1							0
008	576-25100-20	PUMP DIAPHRAGM	1							0
009	577-25292-20	PUMP GASKET	1							0
010	599-2000W-42	MAIN JET #42	1							0
011	550-25100-20	O-RING	1							0
012	489-25100-20	STOP RING	1							0
013	539-25120-20	SWIVEL	1							0
015	514-25100-20	THROTTLE SET SCREW	2							0
016	544-25164-20	CABLE ADJUSTER STAY	1							0
017	613-25100-20	CABLE ADJUST NUT	1							0

C32-01 CS25EPB(S) CYLINDER/PISTON/CRANK SHAFT



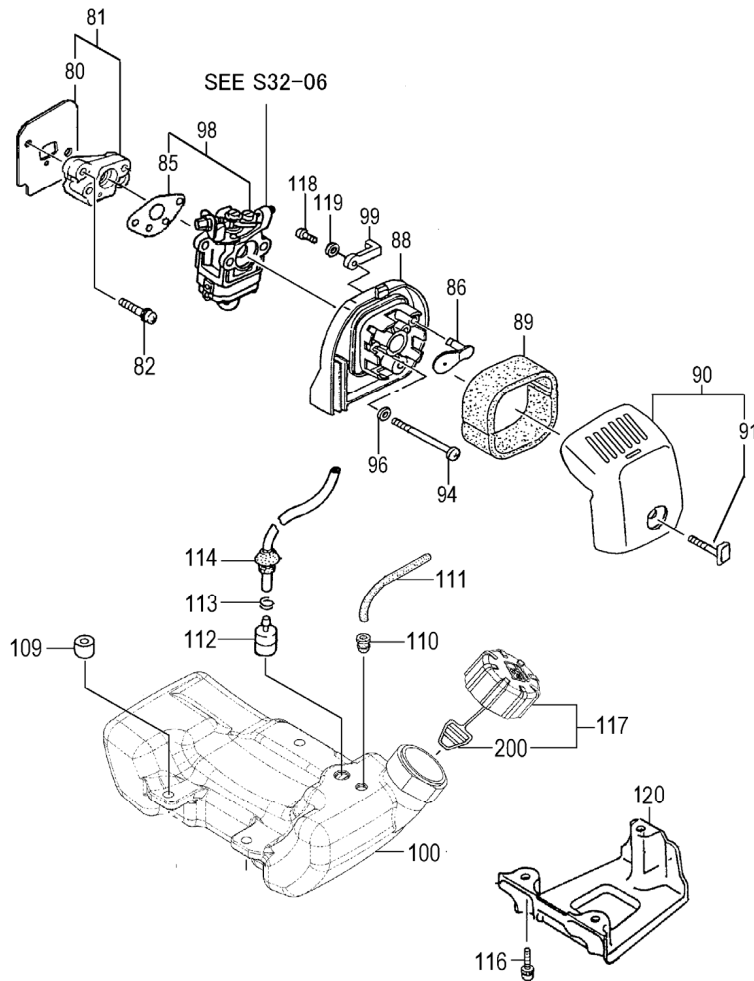
REF. NUMBER	PARTS NUMBER	DESCRIPTION	Q'TY	SERIAL NUMBER
001	157-01680-90	PLUG CAP ASS'Y	1	
002	018-00555-20	SPARK PLUG, RCJ8Y	1	
006	001-07355-90	CYLINDER SET	1	
007	994-61050-184	HEX. HOLE BOLT 5X18/S	4	
009	017-07355-20	CYLINDER GASKET T=1.0	1	
011	041-01700-20	PISTON RING	2	
012	030-07350-90	PISTON SET	1	
013	039-00601-20	PISTON PIN CIRCLIP	2	
014	037-07045-20	PISTON PIN	1	
016	046-07350-82	CRANK SHAFT COMP.	1	
043	167-21012-80	IGNITION COIL COMP.	1	
045	191-01680-90	LEAD WIRE ASS'Y	1	
046	994-64040-184	HEX. HOLE BOLT 4X18/WS	2	
050	167-21012-90	IGNITION COIL ASSY	1	

C32-02 CS25EPB(S) CRANK CASE



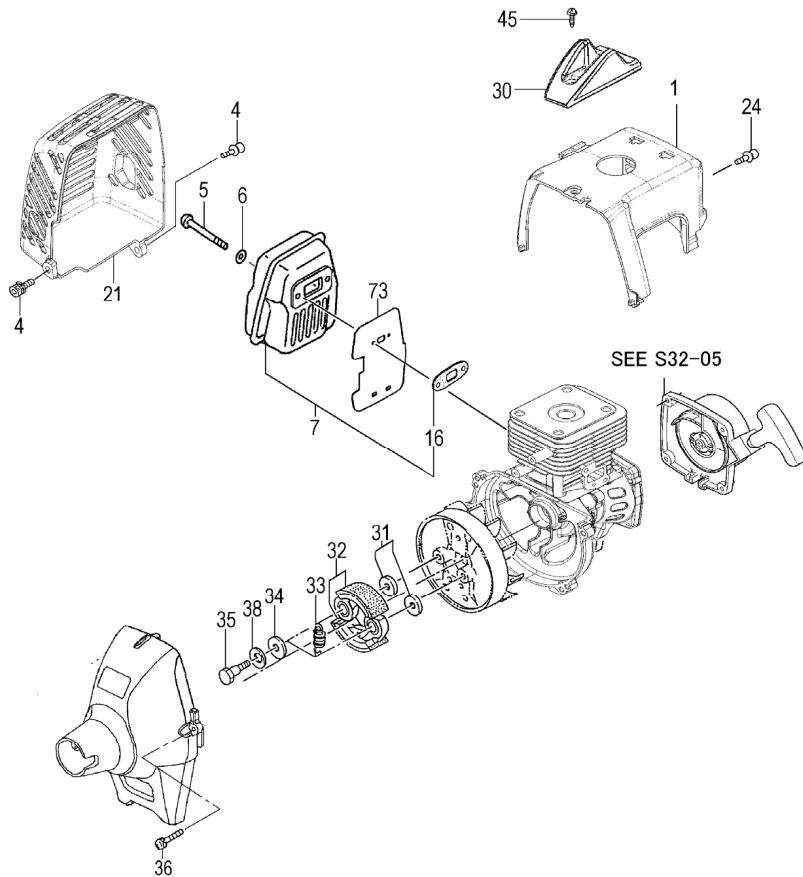
REF. NUMBER	PARTS NUMBER	DESCRIPTION	Q'TY	SERIAL NUMBER
019	330-00200-23	GEAR SHAFT SHIM 0.20	V	
019	330-00200-24	GEAR SHAFT SHIM 0.30	V	
024	155-21012-81	MAGNETO ROTOR COMP.	1	
025	991-01080-011	HEX. NUT 8	1	
027	992-01080-011	WASHER 8	1	
031	072-03045-92	CRANK CASE ASS'Y	1	
032	999-66122-200	OIL SEAL TB 12227	2	
033	999-61600-115	BALL BEARING 6001 C3	2	
034	090-07350-22	CRANK CASE GASKET	1	
036	994-61050-164	HEX. HOLE BOLT 5X16S	4	

C32-03 CS25EPB(S) ENGINE-1



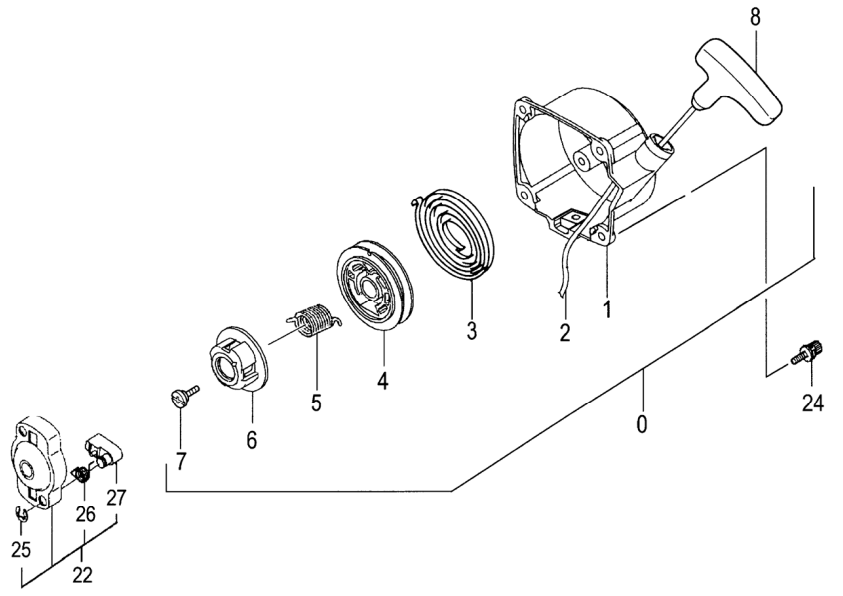
REF. NUMBER	PARTS NUMBER	DESCRIPTION	Q'TY	SERIAL NUMBER
080	403-07020-21	INLET MANIFOLD GASKET	1	
081	404-07020-91	INSULATOR SET	1	
082	994-64050-254	HEX. HOLE BOLT 5X25WS	2	
085	402-0602K-21	CARBURETOR GASKET	1	
086	528-07355-22	CHOKE LEVER 1.5	1	
088	423-0652N-80	CLEANER BODY COMP.	1	
089	446-0652N-20	CLEANER SPONGE	1	
090	452-07035-90	CLEANER COVER ASS'Y	1	
091	450-07024-80	COVER FIXING BOLT	1	
094	994-14050-571	SCREW 5X57/S	2	
096	992-00050-011	SMALL WASHER 5	2	
098	455-07355-90	CABURETOR SET WYJ-431	1	
099	523-0652N-20	CHOKE CONTROL LEVER	1	
100	591-07355-22	TANK ORG	1	
109	659-04300-20	COLLAR C	3	
110	534-32710-20	RETURN GROMMET	1	
111	700-03005-06	FUEL PIPE 3X5X60	1	
112	675-04042-80	PUMP FILTER BODY COMP.	1	
113	680-00731-20	CLIP, 6.3 DIA.	1	
114	223-0097A-90	FUEL PIPE ASS'Y	1	
116	994-63050-204	HEX.HOLE BOLT 5X20PS	3	
117	595-01690-90	TANK CAP ASS'Y (BLACK)	1	
118	993-49040-142	TAP SCREW 4X14 P	1	
119	992-01040-011	WASHER 4	1	
120	940-07350-20	STAND	1	
200	626-32550-20	TANK CAP CHAIN	1	

C32-04 CS25EPB(S) ENGINE-2



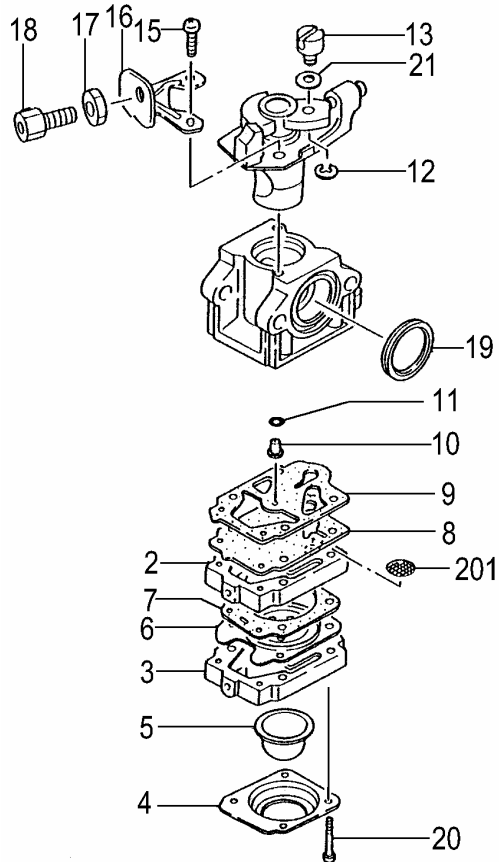
REF. NUMBER	PARTS NUMBER	DESCRIPTION	Q'TY	SERIAL NUMBER
001	016-07350-20	CYLINDER COVER	1	
004	994-63050-164	HEX.HOLE BOLT 5X16/PS	2	
005	990-51060-553	HEX HOLE BOLT 6X55	2	
006	992-01060-011	WASHER 6	2	
007	704-07350-90	MUFFLER SET	1	
016	737-0165A-20	MUFFLER GASKET	1	
021	738-07350-20	MUFFLER PROTECTOR	1	
024	994-64040-185	HEX. HOLE BOLT 4X18WS	2	
030	257-03046-20	PLUG CAP	1	
031	359-02103-20	CLUTCH WASHER B	2	
032	290-01620-80	CLUTCH SHOE COMP.	2	
033	342-0630B-20	CLUTCH SPRING	1	
034	348-0630A-20	CLUTCH PLATE A 0.5	2	
035	357-0075T-20	STEP BOLT	2	
036	994-63050-204	HEX.HOLE BOLT 5X20PS	3	
038	992-05080-030	BENT WASHER 8	2	
045	990-72045-164	TAPPING SCREW 4.5X16	1	
073	133-07350-20	HEAT SHIELD	1	

C32-05 CS25EPB(S) RECOIL STARTER



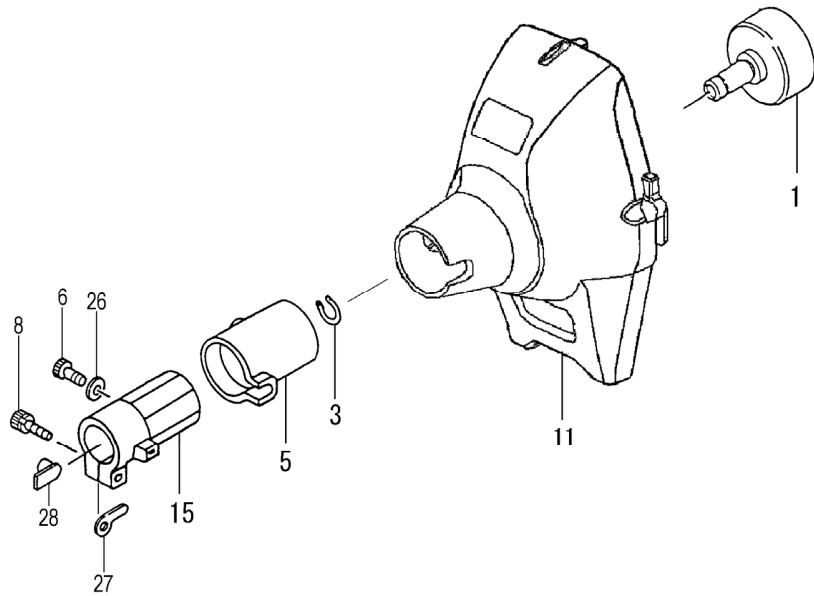
REF. NUMBER	PARTS NUMBER	DESCRIPTION	Q'TY	SERIAL NUMBER
000	762-07350-90	RECOIL STARTER BODY ASS'Y	1	
001	772-07350-80	RECOIL STARTER BODY COMP	1	
002	783-0720F-20	STARTER ROPE 3.5X860	1	
003	780-06097-20	RECOIL SPRING	1	
004	774-0720F-20	STARTER ROPE REEL	1	
005	758-0651H-20	DUMPER SPRING	1	
006	759-0651H-20	CAM PLATE	1	
007	839-03045-20	SET SCREW	1	
008	785-03045-20	STARTER HANDLE	1	
022	798-0651H-90	STARTER PULLEY ASS'Y	1	
024	994-64040-185	HEX. HOLE BOLT 4X18WS	2	
025	993-55050-000	STOP RING E-5	2	
026	790-06097-20	STARTER PAWL SPRING	2	
027	788-0651H-20	STARTER PAWL	2	

C32-06 CS25EPB(S) CARBURETOR



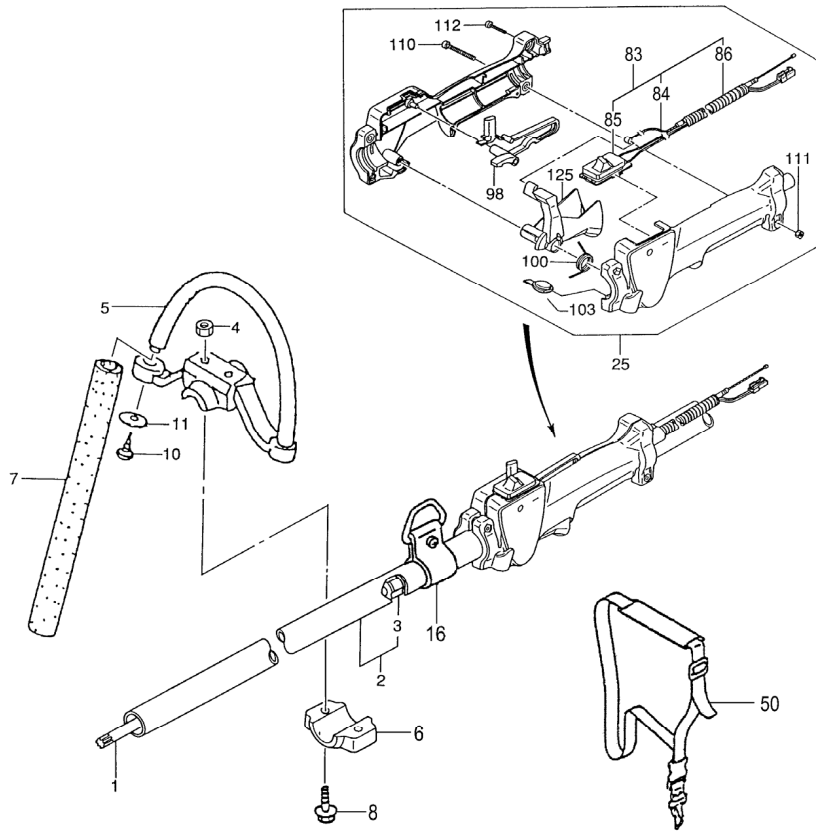
REF. NUMBER	PARTS NUMBER	DESCRIPTION	Q'TY	SERIAL NUMBER
002	575-25153-80	PUMP BODY COMP	1	
003	442-25151-80	PRIMING PUMP COMP.	1	
004	476-25151-20	DIAPHRAGM COVER	1	
005	447-25108-20	PRIMING BODY	1	
006	474-25241-80	METERING DIAPHRAGM COMP	1	
007	475-25153-20	DIAPHRAGM GASKET	1	
008	576-25100-20	PUMP DIAPHRAGM	1	
009	577-25292-20	PUMP GASKET	1	
010	599-2000W-42	MAIN JET #42	1	
011	550-25100-20	O-RING	1	
012	489-25100-20	STOP RING	1	
013	539-25120-20	SWIVEL	1	
015	514-25100-20	THROTTLE SET SCREW	2	
016	544-25164-20	CABLE ADJUSTER STAY	1	
017	613-25100-20	CABLE ADJUST NUT	1	
018	614-25137-20	CABLE ADJUSTER	1	
019	431-0634C-20	CLEANER PACKING	1	
020	548-25151-20	SET SCREW	4	
021	549-25165-20	THRUST WASHER	1	
201	578-25007-20	INLET SCREEN	1	

C32-07 CS25EPB(S) FAN CASE



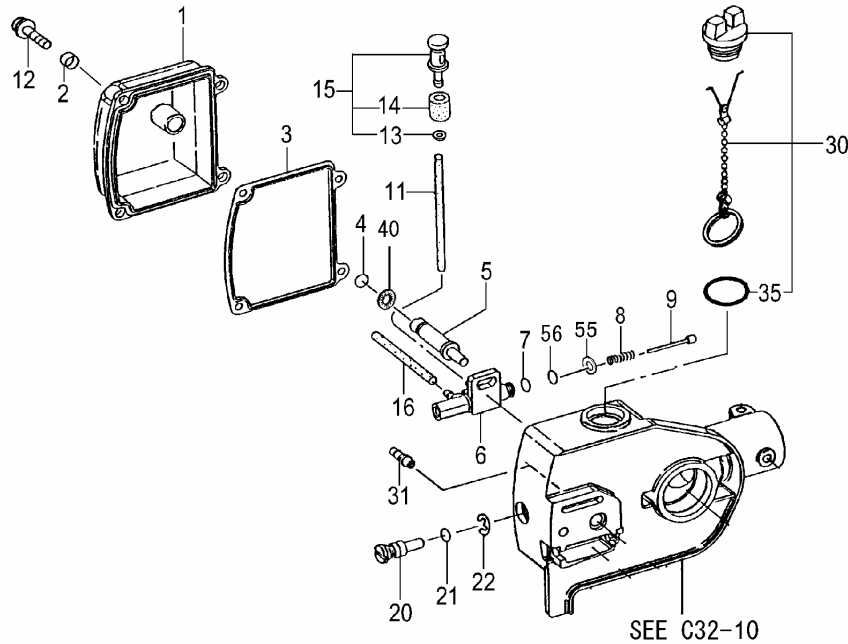
REF. NUMBER	PARTS NUMBER	DESCRIPTION	Q'TY	SERIAL NUMBER
001	289-03070-80	CLUTCH DRUM COMP.	1	
003	993-50012-002	STOP RING C-12, OUTER	1	
005	599-00980-21	CUSHION RUBBER	1	
006	990-51050-163	HEX. HOLE BOLT 5X16	1	
008	994-61050-254	HEX. HOLE BOLT 5X25/S	1	
011	112-03045-80	FAN CASE COMP.	1	
015	360-00996-20	PIPE HOLDER,24 DIA.	1	
026	992-01050-061	WASHER 5	1	
027	324-37350-20	GEAR CASE WASHER	1	
028	361-00990-20	METAL FITTING	1	

C32-08 CS25EPB(S) HANDLE



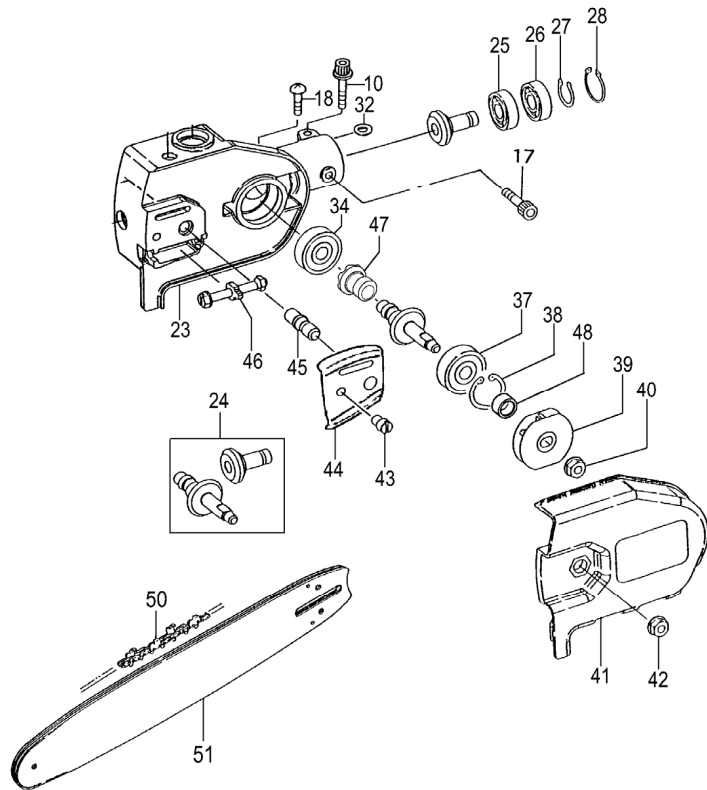
REF. NUMBER	PARTS NUMBER	DESCRIPTION	Q'TY	SERIAL NUMBER
001	343-32346-20	DRIVE SHAFT 0829L	1	
002	341-32304-81	DRIVE SHAFT PIPE COMP.	1	
003	347-38360-90	BUSH ASS'Y	6	
004	991-01060-041	HEX. NUT 6	2	
005	500-37286-20	LOOP HANDLE, 24 DIA.,BLACK	1	
006	506-37300-20	HANDLE BRACKET A	1	
007	503-3738E-20	HANDLE GRIP	1	
008	994-23060-432	BOLT 6X43/P	2	
010	993-11052-012	TAPPING SCREW 5X20	1	
011	368-32350-20	BRAKE SHAFT WASHER	1	
016	335-37526-90	LIFTING METAL ASS'Y	1	
025	870-38402-90	THROTTLE LEVER ASS'Y 24 DI	1	
050	746-37540-91	SHOULDER BELT ASS'Y	1	
083	885-38400-80	THROTTLE WIRE COMP.	1	
084	887-38400-80	THROTTLE WIRE	1	
085	156-38400-80	STOP SWITCH COMP.	1	
086	164-07017-50	PROTECTION TUBE 7X175	1	
098	253-38400-20	SAFETY LEVER	1	
100	832-38400-20	RETURN SPRING	1	
103	322-38400-20	BLIND PLUG	1	
110	994-31050-203	SCREW 5X20	2	
111	991-01050-043	CONTAL NUT 5	2	
112	993-46040-202	SCREW 4X20, BLACK	4	
125	880-38400-20	THROTTLE LEVER	1	

C32-09 CS25EPB(S) GEAR CASE



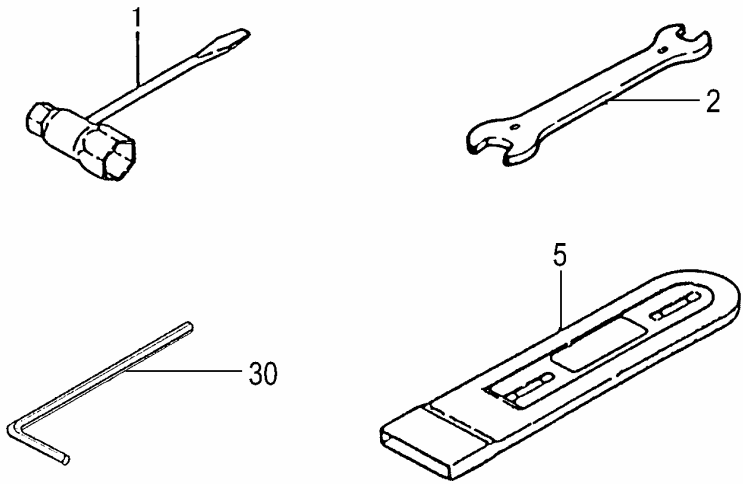
REF. NUMBER	PARTS NUMBER	DESCRIPTION	Q'TY	SERIAL NUMBER
001	041-32304-20	OIL TANK COVER	1	
002	031-32304-20	COLLAR 3	4	
003	422-32304-21	OIL TANK GASKET	1	
004	999-67005-000	O-RING P-5	1	
005	382-32304-20	STEP BOLT A	1	
006	071-32344-80	OIL PUMP COMP.	1	
007	999-67005-000	O-RING P-5	1	
008	449-32304-20	OIL PUMP SPRING	1	
009	073-32304-81	OIL PUMP PISTON COMP.	1	
011	700-53005-06	FUEL PIPE 3X5X60	1	
012	994-16040-126	SMALL SCREW 4X12WS	4	
013	992-01050-011	WASHER 5	1	
014	487-32345-20	OIL FILTER	1	
015	486-32345-90	FILTER ASS'Y	1	
016	700-53005-07	FUEL PIPE 3X5X75	1	
020	501-32304-21	OIL PUMP ADJUSTER	1	
021	999-67005-000	O-RING P-5	1	
022	993-55060-001	STOP RING E-6	1	
030	624-32304-92	OIL TANK CAP ASS'Y	1	
031	082-32304-20	BANJO, OIL PUMP	1	
035	999-67015-000	O-RING P-15	1	
040	992-30080-000	8 PUSH NUT	1	
055	992-01020-011	WASHER 2	1	
056	999-67001-413	O-RING 1.4	1	

C32-10 CS25EPB(S) GEAR CASE-2



REF. NUMBER	PARTS NUMBER	DESCRIPTION	Q'TY	SERIAL NUMBER
010	994-61050-224	HEX. HOLE BOLT 5X22/S	1	
017	990-51050-103	HEX. HOLE BOLT 5X10	1	
018	994-31060-081	SCREW 6X8	1	
023	019-32304-22	CASE	1	
024	301-32344-00	GEAR PINION SET SPARE	1	
025	999-61609-000	BALL BEARING 609	1	
026	999-61609-002	BALL BEARING 609Z ST	1	
027	993-50009-002	STOP RING C-9, OUTER	1	
028	993-51024-002	STOP RING C-24, INNER	1	
032	786-00601-20	STARTER PAWL WASHER	1	
034	999-61627-000	BALL BEARING 627 C3	1	
037	999-61638-001	BALL BEARING 638ZZ	1	
038	993-51028-002	STOP RING C-28, INNER	1	
039	319-32304-80	SPROCKET COMP.,3/8	1	
040	991-82060-001	FLANGE NUT 6	1	
041	039-32304-80	SIDE COVER COMP.	1	
042	121-32600-20	CHAIN BAR CLAMP NUT	1	
043	122-32344-21	CHAIN BAR KNOCK PIN	1	
044	461-32344-20	GUIDE PLATE	1	
045	101-32344-21	CHAIN BAR TIGHTENING BOLT	1	
046	116-32304-90	CHIAN TENSIONER ASS'Y	1	
047	452-32344-20	CAM	1	
048	031-32344-20	COLLAR	1	
050	127-32304-20	SAW CHAIN, 10 INCH, 3/8	1	
051	110-72302-20	CHAIN BAR 10 3/8	1	

C32-11 CS25EPB(S) TOOLS



REF. NUMBER	PARTS NUMBER	DESCRIPTION	Q'TY	SERIAL NUMBER
001	883-32600-20	COMBI. BOX SPANNER 13X19	1	
002	801-20000-20	SPANNER 8X10	1	
005	941-32333-20	CHAIN COVER 10	1	
030	813-20000-20	HEX. WRENCH 4	1	

C32-12 CS25EPB(S) LABELS

REF. NUMBER	PARTS NUMBER	DESCRIPTION	Q'TY	SERIAL NUMBER
001	929-07368-20	DECAL CS25EPB(S)	1	
002	929-72302-20	SYMBOL MARK HITACHI	1	
005	915-73801-20	DECLA HITACHI	1	
009	907-32304-20	CAUTION MARK	1	
010	921-32345-20	OIL MARK	1	
011	922-32345-20	OIL ADJUSTMENT MARK	1	
015	915-07366-21	STARER MARK S·START	1	

