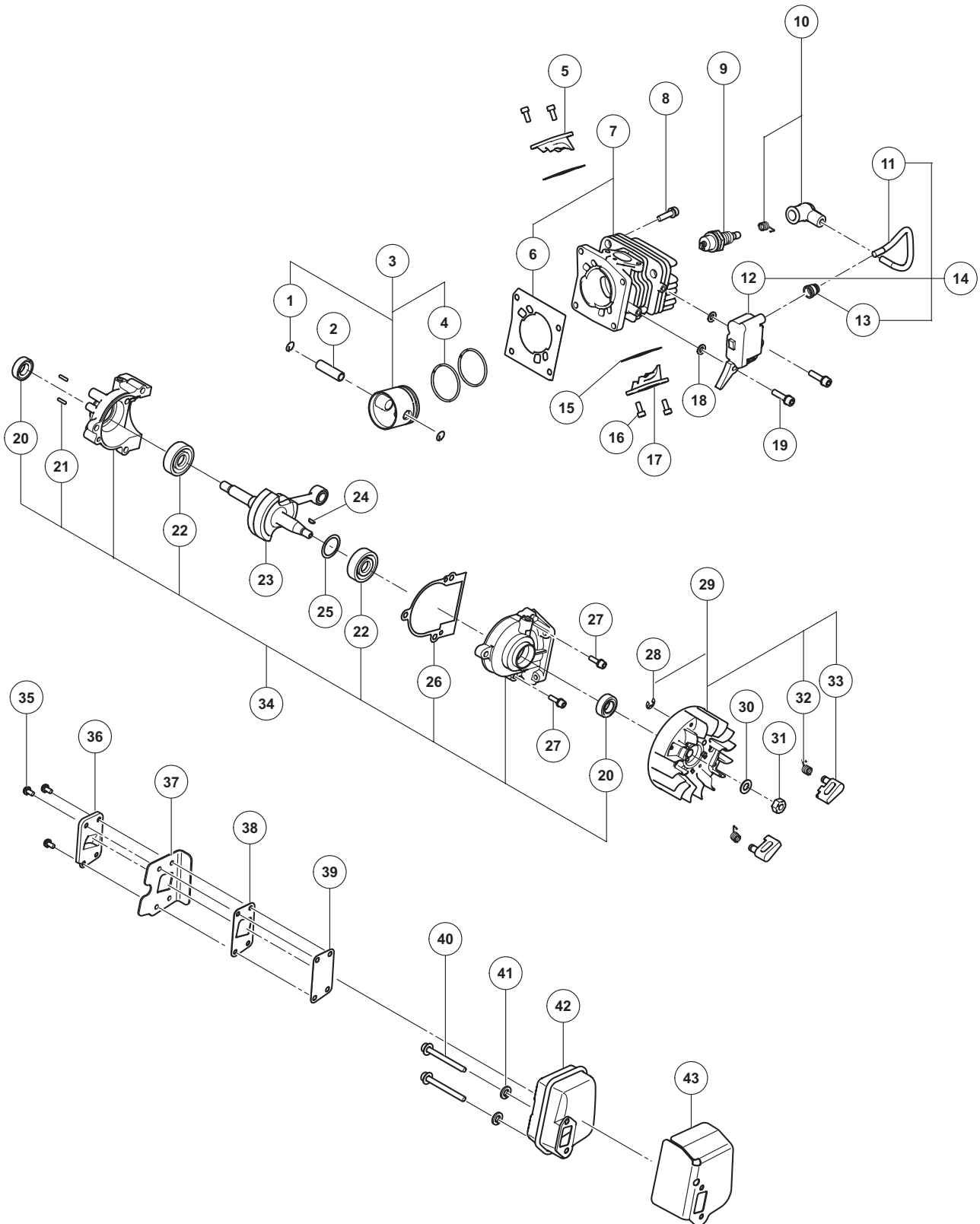
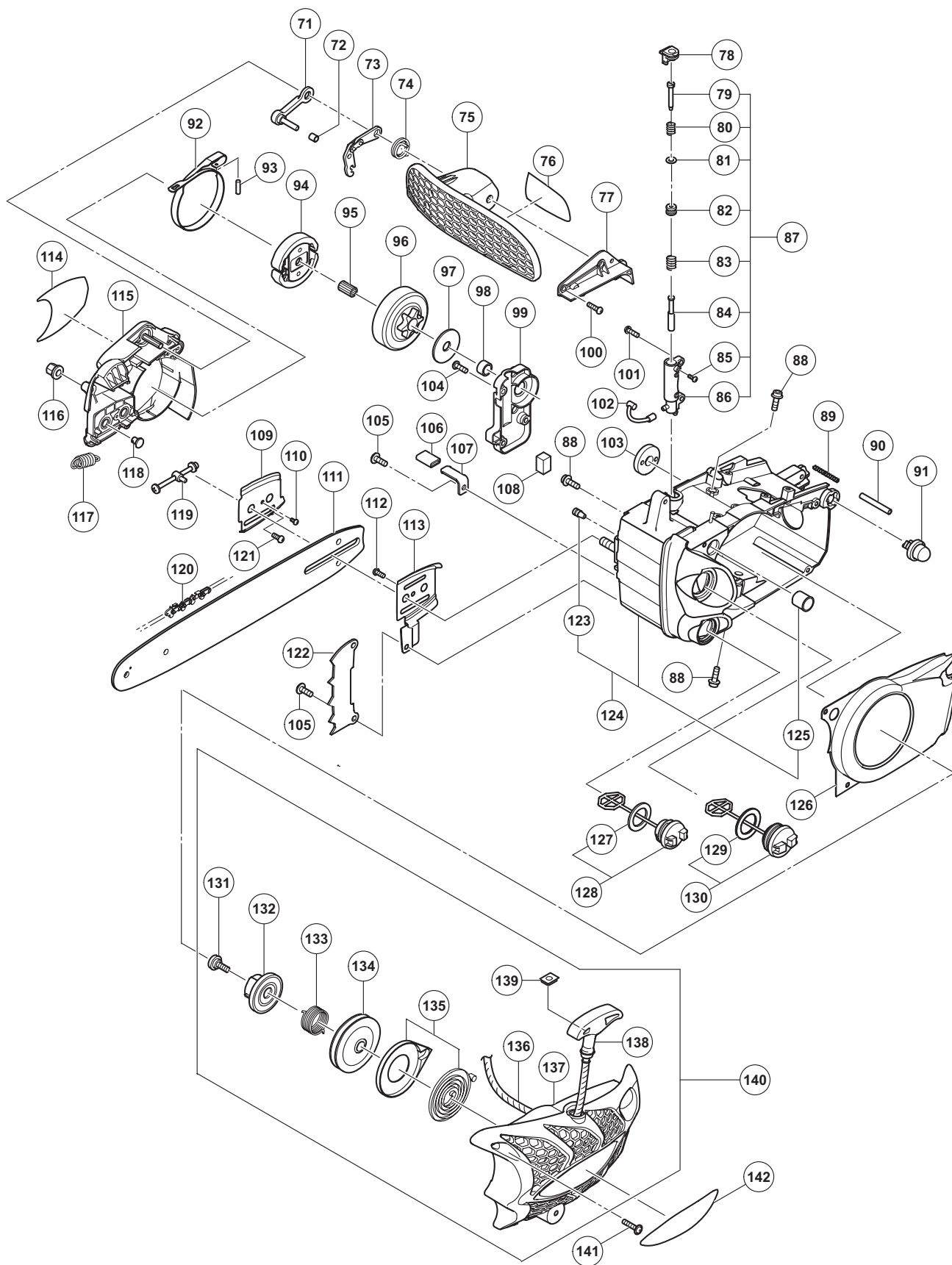


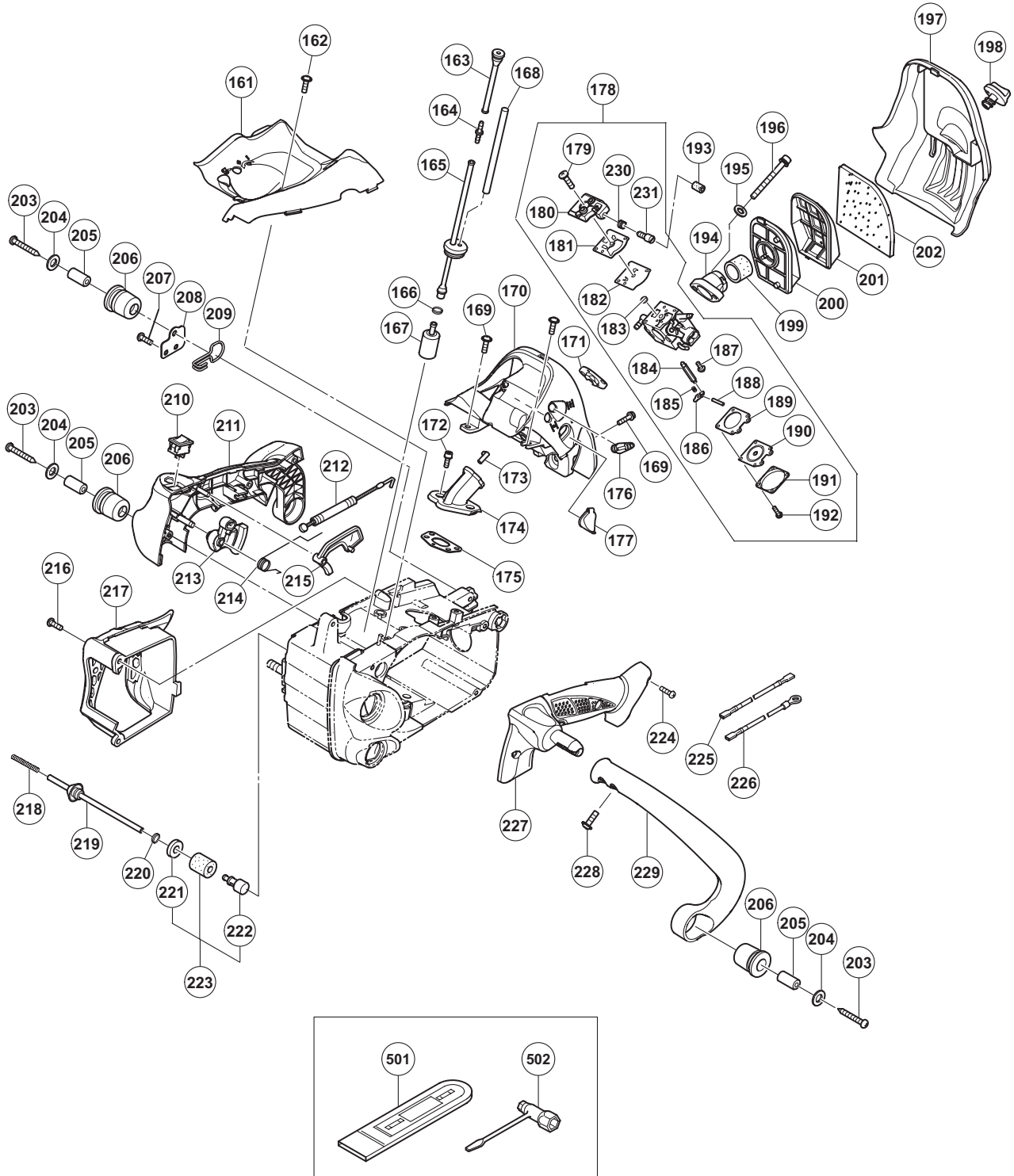
## ENGINE TOOL PARTS LIST

ENGINE CHAIN SAW  
Model CS 33ET

2009·3·3  
(E1)







**PARTS**

CS 33ET

ITEM NO.	CODE NO.	DESCRIPTION	NO. USED	REMARKS
1	668-5078	CIRCLIP	2	
2	668-5079	PISTON PIN	1	
3	668-5080	PISTON SET	1	INCLUD. 1,4
4	668-5081	PISTON RING	2	
5	668-5082	SCAVENGING COVER (B)	1	
6	668-5083	CYLINDER PACKING	1	
7	668-5084	CYLINDER SET	1	INCLUD. 6
8	668-4668	HEX. HOLE BOLT M5X20/S	4	
* 9	668-5085	SPARK PLUG BPM6A	1	FOR USA
* 9	668-5086	SPARK PLUG BPMR6A	1	FOR EUROPE, AUS
10	668-5087	SPARK PLUG CAP ASS'Y	1	
11	668-5088	HIGH VOLTAGE CORD	1	
12	668-5089	IGNITION COIL COMP.	1	
13	668-4602	RUBBER CAP	1	
14	668-5091	IGNITION COIL ASS'Y	1	INCLUD. 11-13
15	668-5092	COVER PACKING (A)	2	
16	668-5093	HEX. SOCKET HD. BOLT M4X10	4	
17	668-5094	SCAVENGING COVER (A)	1	
18	668-4600	WASHER	2	
19	668-4599	HEX. HOLE BOLT M4X18/WS	2	
20	668-4607	OIL SEAL TB 12227	2	
21	668-5095	NEEDLE ROLLER 2.5X9.8	2	
22	668-5096	BALL BEARING 6201 A2C3	2	
23	668-5097	CRANK SHAFT COMP.	1	
24	668-4899	WOODRUFF KEY 3X13X4.5	1	
25	668-5098	SHIM S T0.2	1	
25	668-5099	SHIM S T0.3	1	
26	668-5100	CRANK CASE PACKING	1	
27	668-4668	HEX. HOLE BOLT M5X20/S	3	
28	668-5101	D4E RETAINING RING	2	
29	668-5102	MAGNETO ROTOR ASS'Y	1	INCLUD. 28, 32, 33
30	668-5103	BOLT WASHER M7	1	
31	668-5104	FLYWHEEL NUT	1	
32	668-5105	STARTER PAWL SPRING	2	
33	668-5106	STARTER PAWL	2	
34	668-5107	CRANK CASE ASS'Y	1	INCLUD. 20-22, 26
* 35	986-662	MACHINE SCREW (W/WASHERS) M4X10	4	FOR USA
* 35	668-5109	MACHINE SCREW (W/SP. WASHER) M4X8	4	FOR EUROPE, AUS
36	668-5110	EXHAUST PIPE	1	
37	668-5111	MUFFLER SPECIAL PACKING	1	
* 38	668-5112	GAUZE FIXING PLATE	1	FOR USA
* 39	668-5113	MUFFLER GAUZE	1	FOR USA
40	668-5114	HEX. SOCKET HD. BOLT M5X50	2	
41	668-4661	WASHER 5	2	
* 42	668-5115	MUFFLER COMP.	1	FOR USA
* 42	668-5116	MUFFLER COMP.	1	FOR EUROPE, AUS
43	668-5117	MUFFLER PACKING	1	
71	668-5119	BRAKE SUPPORT PLATE COMP.	1	
72	668-5120	COLLAR	1	
73	668-5121	BRAKE LINK COMP.	1	

**PARTS**

CS 33ET

ITEM NO.	CODE NO.	DESCRIPTION	NO. USED	REMARKS	
74	668-5122	BRAKE LEVER SPRING	1		
75	668-5123	BRAKE HANDLE	1		
76		CAUTION MARK	1		
77	668-5126	BRAKE LINK COVER	1		
78	668-5127	OIL ADJUST GROMMET	1		
79	668-5128	OIL PUMP ADJUSTER	1		
80	668-5129	ADJUSTER SPRING	1		
81	668-5070	BOLT WASHER M4	1		
82	668-5130	OIL PUMP ADJUST CAP	1		
83	668-5131	PUMP GEAR SPRING	1		
84	668-5132	PUMP GEAR COMP.	1		
85	668-5133	MACHINE SCREW M3X8	1		
86	668-5134	OIL PUMP CASE COMP.	1		
87	668-5135	OIL PUMP CASE ASS'Y	1	INCLUD. 79-86	
88	668-5136	SEAL LOCK BOLT M5X15	5		
89	668-5137	PROTECTIVE COIL	1		
90	668-5138	FUEL PIPE 2.5X4X42	1		
91	668-5139	PRIMING PUMP COMP.	1		
92	668-5140	BRAKE BAND	1		
93	668-5141	NEEDLE ROLLER 3X9.8	1		
94	668-5142	CLUTCH COMP.	1		
95	668-5143	NEEDLE BEARING	1		
96	668-5144	CLUTCH HOUSING COMP.	1		
97	668-5145	CLUTCH WASHER	1		
98	668-5146	CRANK SHAFT COLLAR	1		
99	668-5147	OIL PUMP COVER	1		
100	668-5148	TAPPING SCREW D4X15	3		
101	668-5149	MACHINE SCREW (W/SP. WASHER) M4X14	2		
102	668-5150	OIL PIPE (A)	1		
103	668-5151	SCREW GEAR	1		
104	668-5152	TAPPING SCREW D4.5X14	3		
105	668-5153	TAPPING SCREW D4.5X14	3		
106	668-5154	FUEL PIPE	1		
107	668-5155	CHAIN CATCHER	1		
108	668-5156	AIR VENT SPONGE	1		
109	668-5157	GUIDE PLATE (B)	1		
110	668-5158	TAPPING SCREW D3X8	1		
*	111	668-5294	CHAIN BAR 12 INCH 3/8 SP	1	FOR EUROPE, AUS, USA
*	111	668-5295	CHAIN BAR 14 INCH 3/8 SP	1	FOR EUROPE, USA
112	668-5161	TAPPING SCREW D4X10	1		
113	668-5162	GUIDE PLATE (A)	1		
114		NAME PLATE (CS 33ET)	1		
115	668-5165	SIDE COVER COMP.	1		
116	668-5166	NUT	2		
117	668-5167	BRAKE SPRING	1		
118	668-5168	GEAR (A)	1		
119	668-5169	CHAIN PULLER COMP.	1		
*	120	668-5170	SAW CHAIN (3/8X12") 91VG-45	1	FOR EUROPE, AUS, USA
*	120	668-5171	SAW CHAIN (3/8X14") 91VG-52	1	FOR EUROPE, USA
121	668-5161	TAPPING SCREW D4X10	1		

**PARTS**

CS 33ET

ITEM NO.	CODE NO.	DESCRIPTION	NO. USED	REMARKS
*	122	668-5172 SPIKE	1	FOR EUROPE, AUS
	123	668-5173 AIR VENT VALVE (B)	1	
	124	668-5174 ENGINE CASE ASS'Y	1	INCLUD. 123, 125
	125	668-5175 INNER CAP ASS'Y	1	
	126	668-5176 AIR DEFLECTOR	1	
	127	668-5177 OIL TANK CAP PACKING	1	
	128	668-5178 OIL TANK CAP ASS'Y	1	INCLUD. 127
	129	668-5179 TANK CAP PACKING	1	
	130	668-5180 TANK CAP ASS'Y	1	INCLUD. 129
	131	668-4679 SET SCREW	1	
	132	668-5182 CAM PLATE	1	
	133	668-5183 DAMPER SPRING	1	
	134	668-5184 STARTER PULLEY	1	
	135	668-5185 SPRING CASE ASS'Y	1	
	136	668-5186 ROPE	1	
	137	668-5187 FAN CASE COMP.	1	
	138	668-5188 STARTER HANDLE	1	
	139	668-5189 PLATE	1	
	140	668-5190 RECOIL STARTER ASS'Y	1	INCLUD. 131-139
	141	668-5191 TAPPING SCREW D4.5X20	4	
	142	HITACHI LABEL (C)	1	
	161	668-5194 ENGINE CASE COVER	1	
	162	668-5152 TAPPING SCREW D4.5X14	3	
	163	668-5195 RUBBER PIPE	1	
	164	668-5196 PIPE JOINT	1	
	165	668-5197 SHIELD TUBE ASS'Y	1	
	166	668-5198 CLIP D6	1	
	167	668-5199 PUMP FILTER BODY ASS'Y	1	
	168	668-5200 FUEL PIPE 2.5X4X260	1	
	169	668-5153 TAPPING SCREW D4.5X14	3	
	170	668-5201 CLEANER BODY COMP.	1	
	171	668-5202 INLET MANIFOLD SPACER	1	
	172	668-4595 HEX. HOLE BOLT M4X12/S	2	
	173	668-5203 PULSE GUIDE	1	
	174	668-5204 INTAKE COMP.	1	
	175	668-5205 INTAKE PACKING	1	
	176	668-5206 CHOKE LEVER	1	
	177	668-5207 ADJUSTER CAP	1	
*	178	668-5208 CARBURETOR ASS'Y WT-940	1	INCLUD. 179-192, 230, 231 FOR USA, EUROPE
*	178	668-5209 CARBURETOR ASS'Y WT-949	1	INCLUD. 179-192, 230, 231 FOR AUS, RUS
	179	668-5210 SCREW	1	
	180	668-5211 PUMP BODY	1	
	181	668-5212 PUMP GASKET	1	
	182	668-5213 PUMP DIAPHRAGM	1	
	183	668-4700 INLET SCREEN	1	
	184	668-5215 NEEDLE VALVE	1	
	185	668-5216 VALVE SPRING	1	
	186	668-5217 CONTROL LEVER	1	
	187	668-5218 HINGE PIN SET SCREW	1	
	188	668-5219 HINGE PIN	1	



