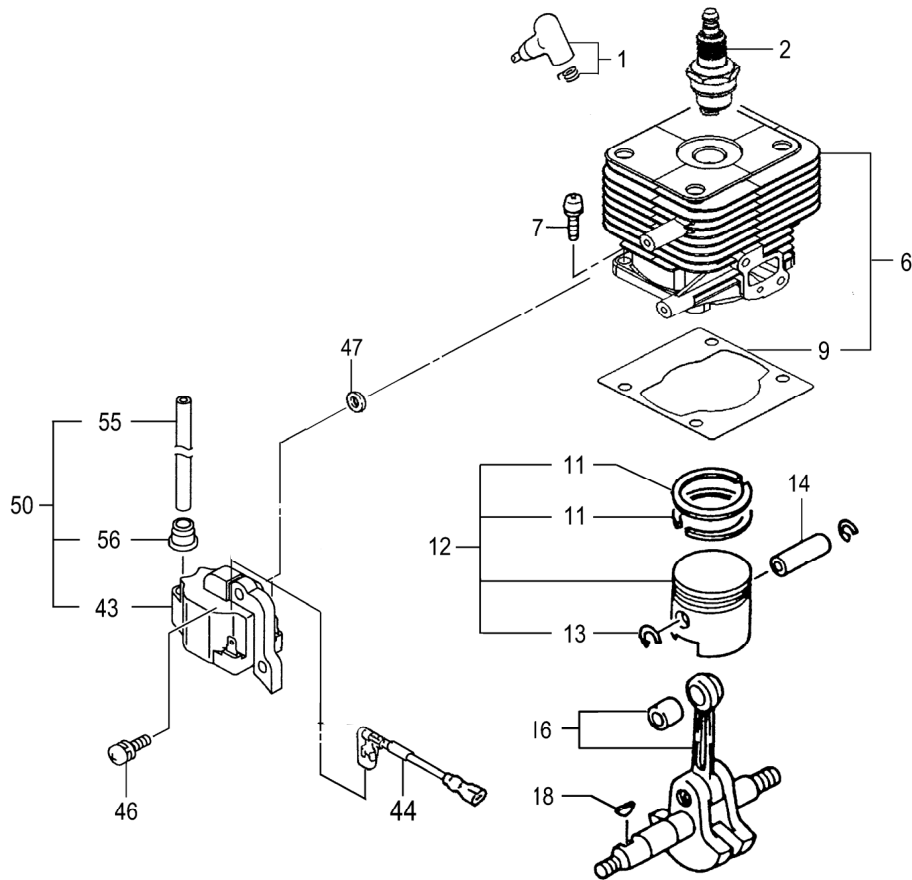


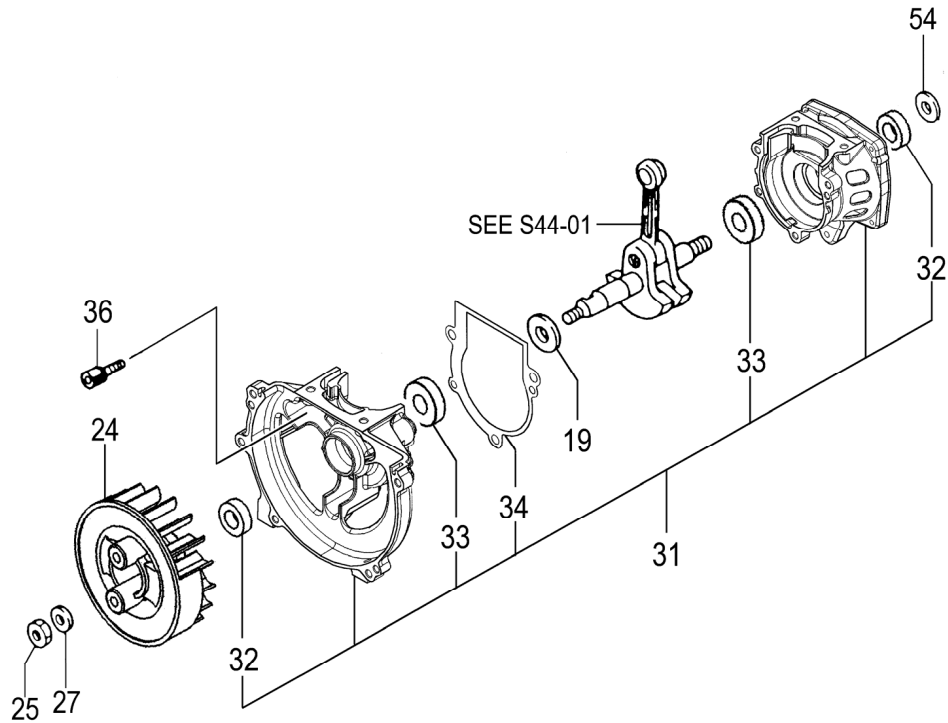
ITEM N°	CODE N°	DESCRIPTION	N°							
			Used	x	x	x	x	x	x	x
		MODEL : DA200ESP								
002	575-25153-80	PUMP BODY COMP	1							
003	442-25151-80	PRIMING PUMP COMP.	1							
004	476-25151-20	DIAPHRAGM COVER	1							
005	447-25108-20	PRIMING BODY	1							
006	474-25241-80	METERING DIAPHRAGM COMP.	1							
007	475-25153-20	DIAPHRAGM GASKET	1							
008	576-25100-20	PUMP DIAPHRAGM	1							
009	577-25100-20	PUMP GASKET	1							
010	599-2001W-38	LONG MAIN JET #38	1							
011	550-25100-20	O-RING	1							
012	489-25100-20	STOP RING	1							
013	539-25120-20	SWIVEL	1							
015	514-25100-20	THROTTLE SET SCREW	2							
016	544-25164-20	CABLE ADJUSTER STAY	1							
017	613-25100-20	CABLE ADJUST NUT	1							
018	614-25137-20	CABLE ADJUSTER	1							
019	431-0634C-20	CLEANER PACKING	1							
020	548-25151-20	SET SCREW	4							
021	549-25165-20	THRUST WASHER	1							
201	578-25007-20	INLET SCREEN	1							
		S44-07 GEAR CASE-1								
001	226-32466-80	CLUTCH HOUSING COMP.	1							
002	200-32420-20	GEAR CASE A	1							
003	204-32401-20	GEAR CASE GASKET B	1							
005	994-40060-011	SPRING NUT 6	4							
007	221-32465-20	GEAR 2	1							
008	999-61620-202	BALL BEARING #6202Z, 35MM/OD	1							
009	999-61620-200	BALL BEARING #6202, 35MM/OD	1							
010	993-50015-002	STOP RING C-15, OUTER	1							
011	999-05041-203	KNOCK PIN 4X12	2							
012	201-32401-20	GEAR CASE B	1							
013	205-32401-20	GEAR CASE GASKET C	1							
014	994-14050-301	SCREW 5X30/S	2							
016	068-11000-20	WOOD-RUFF KEY 3X13X5.0	1							
019	999-61600-000	BALL BEARING #6000, 26MM/OD	3							
039	992-01060-011	WASHER 6	1							
041	990-11060-081	SCREW 6X8	1							
063	993-50017-002	STOP RING C-17, OUTER	1							
		S44-08 GEAR CASE-2								
021	223-32465-20	GEAR 4	1							
022	225-32465-20	DRIVE SHAFT	1							
023	999-05041-203	KNOCK PIN 4X12	2							
024	202-32465-20	GEAR CASE C	1							
025	990-11050-501	SCREW 5X50	4							
026	992-10050-012	S.WASHER 5	4							
027	994-14050-301	SCREW 5X30/S	2							
029	999-62203-572	THRUST BEARING 2035	1							
030	230-32465-20	GEAR SHAFT COLLAR A	1							
031	999-61690-401	BALL BEARING 6904ZZ C3	1							
032	993-51037-002	STOP RING C-37, INNER	1							
042	231-32465-20	GEAR SHAFT COLLAR B	1							
044	820-32203-20	PIN	2							
045	821-32203-20	SNAP PIN 8	2							
056	992-01080-011	WASHER 8	2							

S44-01 DA200E(SP) CYLINDER/PISTON/CRANK SHAFT



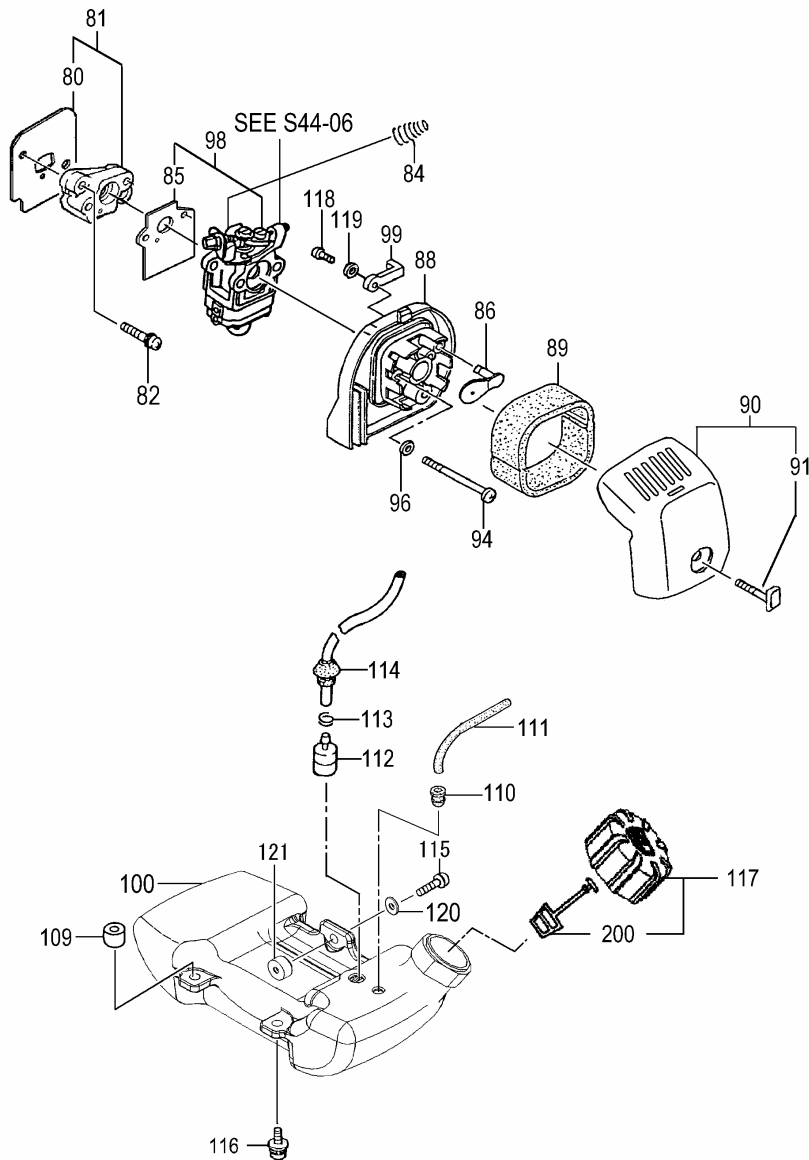
REF. NUMBER	PARTS NUMBER	DESCRIPTION	Q'TY	SERIAL NUMBER
001	157-01570-90	SPARK PLUG CAP ASS'Y	1	
002	018-04221-20	SPARK PLUG RCJ-6Y	1	
006	001-07250-90	CYLINDER SET	1	
007	994-61050-164	HEX. HOLE BOLT 5X16S	4	
009	017-07250-20	CYLINDER GASKET	1	
011	041-01730-20	PISTON RING	2	
012	030-07030-91	PISTON SET	1	
013	039-00000-20	PISTON PIN CIRCLIP	2	
014	037-01400-20	PISTON PIN	1	
016	046-0703A-81	CRANK SHAFT COMP.	1	
018	068-10100-20	WOOD-RUFF KEY 3X13X4.5	1	
043	167-20549-80	IGNITION COIL COMP	1	
044	178-0703B-80	STOP CORD B160M	2	
046	994-64040-184	HEX. HOLE BOLT 4X18WS	2	
047	182-0186A-20	WASHER	2	
050	167-22012-90	IGNITION COIL COMP.	1	
055	178-22012-20	HIGH TENSION CORD	1	
056	560-20517-20	RUBBER CAP	1	

S44-02 DA200E(SP) CRANK CASE



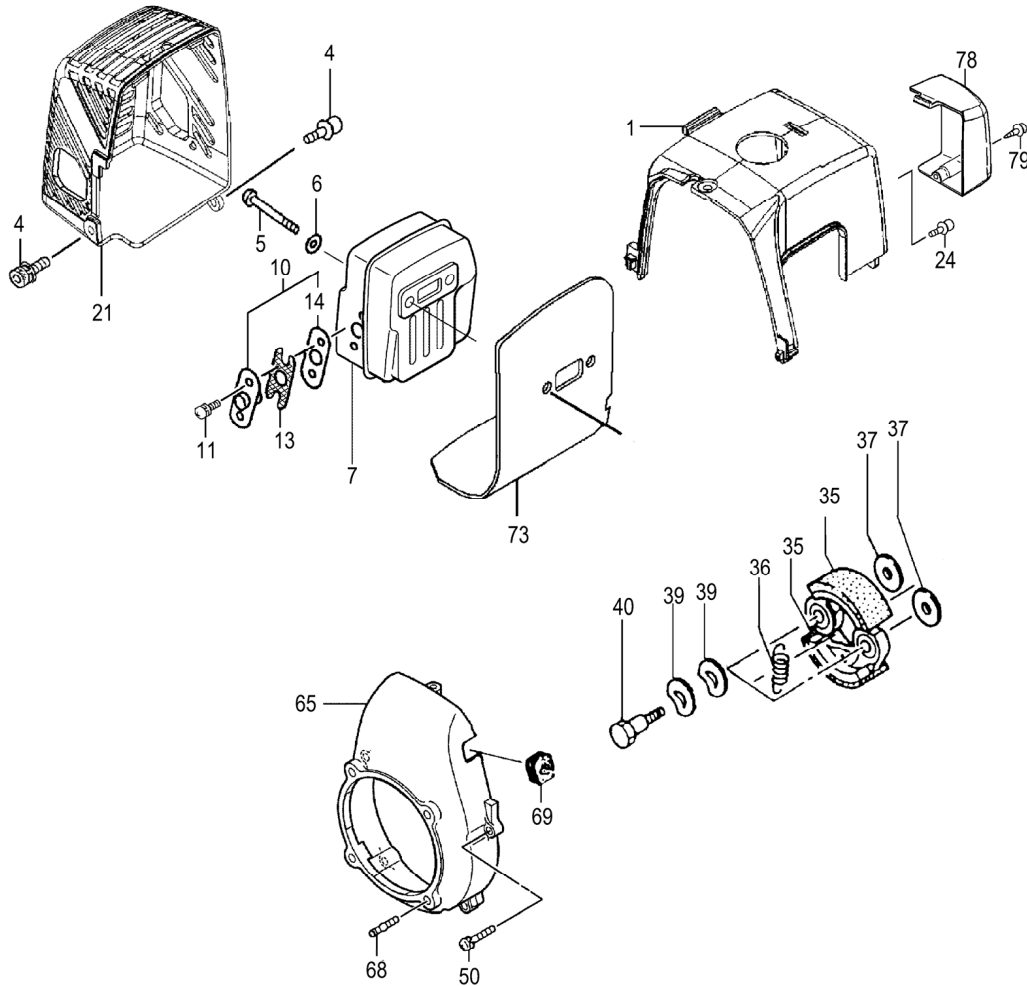
REF. NUMBER	PARTS NUMBER	DESCRIPTION	Q'TY	SERIAL NUMBER
019	330-00200-23	GEAR SHAFT SHIM 0.20	V	
019	330-00200-24	GEAR SHAFT SHIM 0.30	V	
024	155-20549-80	MAGNETO ROTOR COMP.	1	
025	991-01080-011	HEX. NUT 8	1	
027	992-00080-011	SMALL WASHER 8	1	
031	072-07250-90	CRANK CASE ASSY	1	
032	999-66122-200	OIL SEAL TB 12227	2	
033	999-61600-115	BALL BEARING 6001 C3	2	
034	090-07250-20	CRANK CASE GASKET	1	
036	994-61050-164	HEX. HOLE BOLT 5X16S	3	
054	992-01080-011	WASHER 8	1	

S44-03 DA200E(SP) ENGINE-1



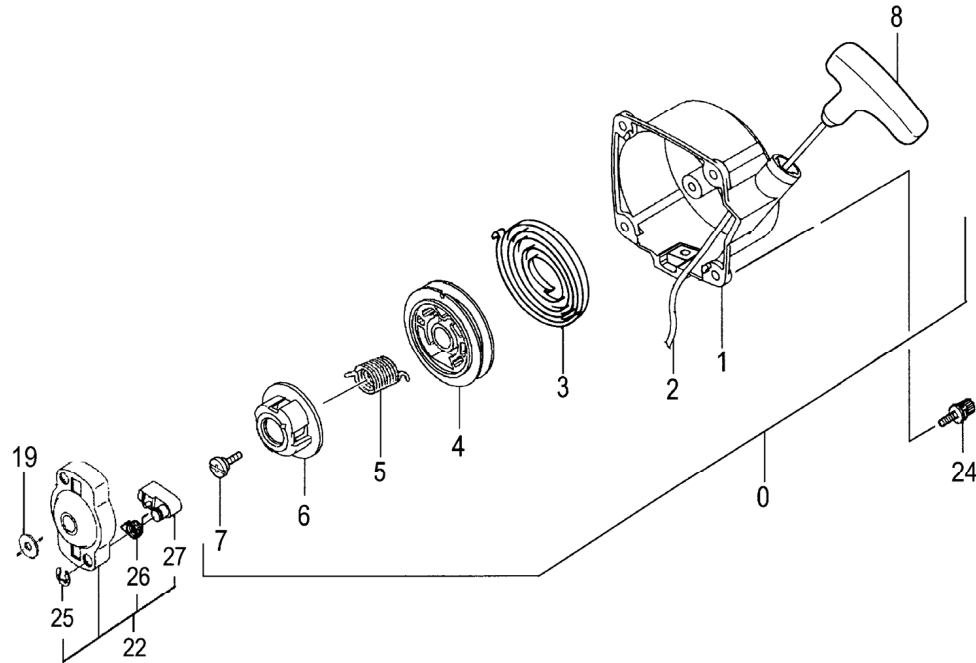
REF. NUMBER	PARTS NUMBER	DESCRIPTION	Q'TY	SERIAL NUMBER
080	403-07020-21	INLET MANIFOLD GASKET	1	
081	404-07020-91	INSULATOR SET	1	
082	994-64050-254	HEX. HOLE BOLT 5X25WS	2	
084	902-10243-20	WIRE RETURN SPRING	1	
085	402-0656A-20	CARBURETOR GASKET	1	
086	528-0652N-22	CHOKE PLATE 2.0	1	
088	423-0652N-80	CLEANER BODY COMP.	1	
089	446-0652N-20	CLEANER SPONGE	1	
090	452-03046-90	CLEANER COVER ASS'Y	1	
091	450-07024-80	COVER FIXING BOLT	1	
094	990-51050-553	HEX. HOLE BOLT 5X55	2	
095	992-10050-012	S.WASHER 5	2	
096	992-00050-011	SMALL WASHER 5	2	
098	455-0725A-90	CARBURETOR SET WYJ464	1	
099	523-0652N-20	CHOKE CONTROL LEVER	1	
100	591-07250-21	TANK WHT	1	
109	659-00801-20	COLLAR 5.8	3	
110	534-32710-20	RETURN GROMMET	1	
111	700-03005-08	FUEL PIPE 3X5X85	1	
112	675-04042-80	PUMP FILTER BODY COMP.	1	
113	680-00731-20	CLIP, 6.3 DIA.	1	
114	223-0097A-90	FUEL PIPE ASS'Y	1	
115	994-61050-254	HEX. HOLE BOLT 5X25/S	1	
116	994-63050-164	HEX.HOLE BOLT 5X16/PS	2	
117	595-01690-90	TANK CAP ASS'Y (BLACK)	1	
118	993-49040-142	TAP SCREW 4X14 P	1	
119	992-01040-011	WASHER 4	1	
120	992-01050-061	WASHER 5	1	
121	649-07250-20	TANK FIXING COLLAR	1	
200	626-32550-20	TANK CAP CHAIN	1	

S44-04 DA200E(SP) ENGINE-2



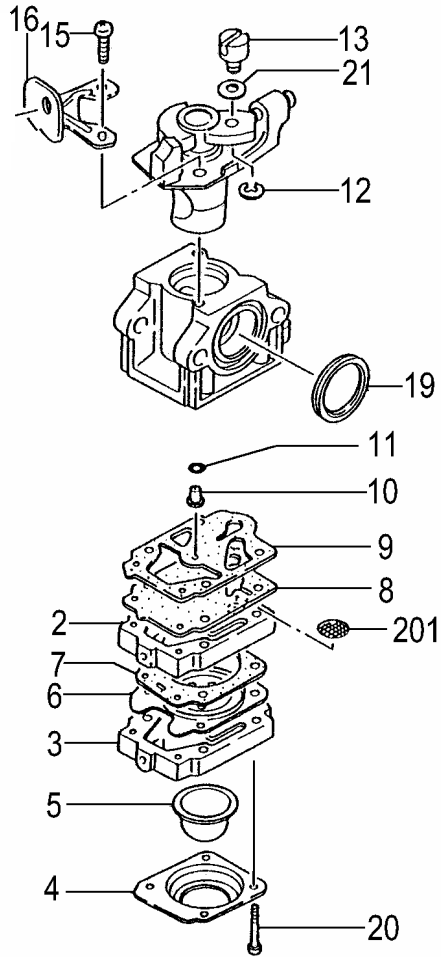
REF. NUMBER	PARTS NUMBER	DESCRIPTION	Q'TY	SERIAL NUMBER
001	016-07250-21	CYLINDER COVER BLK	1	
004	994-63050-164	HEX.HOLE BOLT 5X16/PS	2	
005	990-51060-653	HEX.HOLE BOLT 6X65	2	
006	992-01060-011	WASHER 6	2	
007	706-0725A-80	MUFFLER COMP.	1	
010	734-0740A-90	TAIL PIPE SET	1	
011	994-36040-081	SCREW 4X8/WS	2	
013	732-0740A-20	SPARK ARRESTER	1	
014	751-06500-20	MUFFLER SPECIAL GASKET	2	
021	738-0725A-20	MUFFLER PROTECTOR BLK	1	
024	994-63040-154	HEX.HOLE BOLT 4X15/PS	1	
035	290-0138A-80	CLUTCH ARM COMP.	2	
036	342-0138A-20	CLUTCH SPRING	1	
037	359-10112-20	CLUTCH WASHER B	2	
039	992-04100-030	WAVE WASHER 10	4	
040	357-0136U-20	CLUTCH STEP BOLT	2	
050	994-64050-184	HEX.HOLE BOLT 5X18/WS	4	
065	112-07032-20	FAN CASE	1	
068	100-04001-20	STUD BOLT 6X36	4	
069	203-11660-20	PRIMARY CORD GROMMET	1	
073	133-07250-20	HEAT SHIELD	1	
078	132-0725A-20	AIR DEFLECTOR	1	
079	993-48040-142	TAPPING SCREW 4X14	1	

S44-05 DA200E(SP) RECOIL STARTER



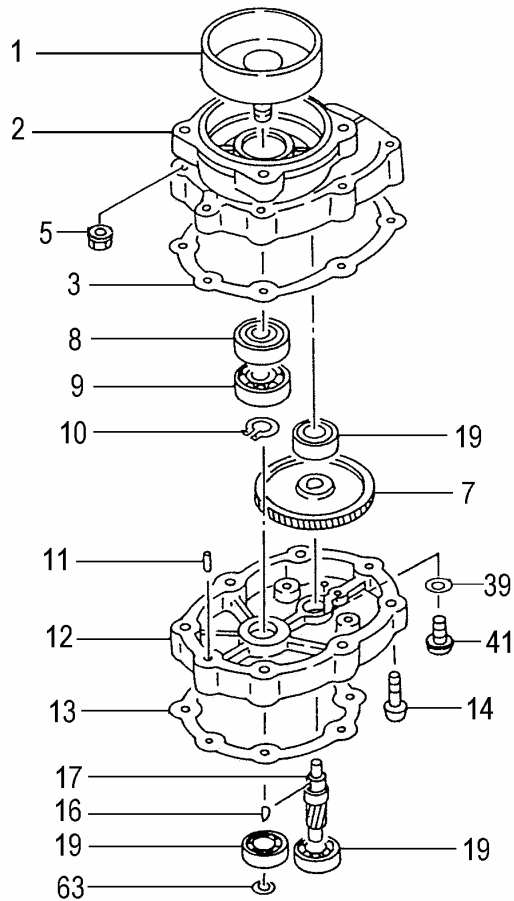
REF. NUMBER	PARTS NUMBER	DESCRIPTION	Q'TY	SERIAL NUMBER
000	762-0720F-92	RECOIL STARTER BODY ASS'Y	1	
001	772-0720F-80	RECOIL STARTER BODY COMP	1	
002	783-0720F-20	STARTER ROPE 3.5X860	1	
003	780-06097-20	RECOIL SPRING	1	
004	774-0720R-20	STARTER PULLEY	1	
005	758-0651H-20	DUMPER SPRING	1	
006	759-0720R-21	CAM PLATE	1	
007	839-03045-20	SET SCREW	1	
008	785-03045-20	STARTER HANDLE	1	
019	359-10112-20	CLUTCH WASHER B	1	
022	798-0651H-90	STARTER PULLEY ASS'Y	1	
024	994-64040-185	HEX. HOLE BOLT 4X18WS	4	
025	993-55050-000	STOP RING E-5	2	
026	790-06097-20	STARTER PAWL SPRING	2	
027	788-0651H-20	STARTER PAWL	2	

S44-06 DA200E(SP) CARBURETOR



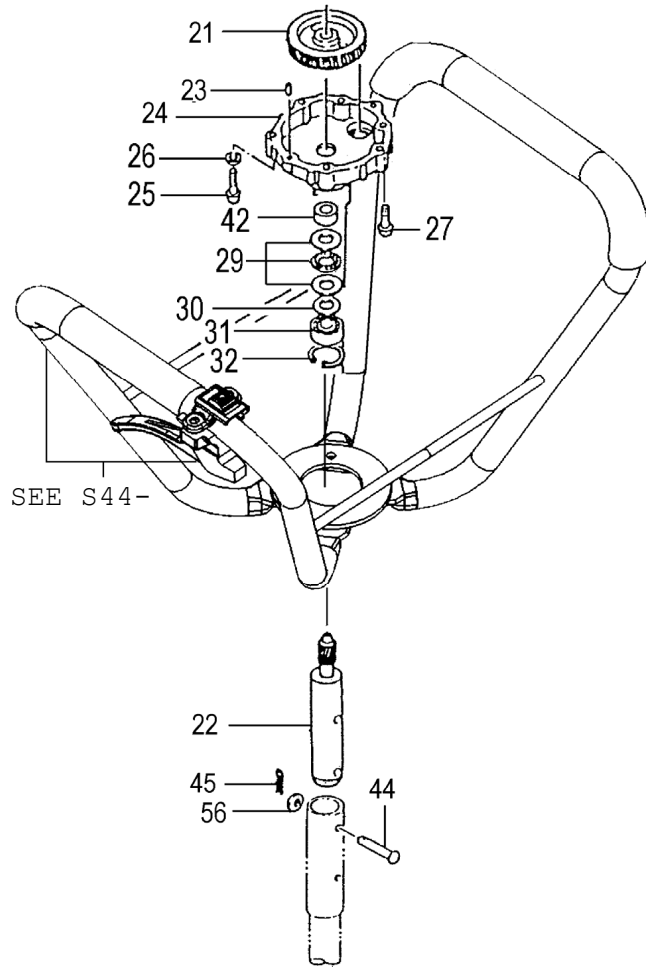
REF. NUMBER	PARTS NUMBER	DESCRIPTION	Q'TY	SERIAL NUMBER
002	575-25153-80	PUMP BODY COMP	1	
003	442-25151-80	PRIMING PUMP COMP.	1	
004	476-25151-20	DIAPHRAGM COVER	1	
005	447-25108-20	PRIMING BODY	1	
006	474-25241-80	METERING DIAPHRAGM COMP	1	
007	475-25153-20	DIAPHRAGM GASKET	1	
008	576-25100-20	PUMP DIAPHRAGM	1	
009	577-25100-20	PUMP GASKET	1	
010	599-2001W-38	LONG MAIN JET #38	1	
011	550-25100-20	O-RING	1	
012	489-25100-20	STOP RING	1	
013	539-25120-20	SWIVEL	1	
015	514-25100-20	THROTTLE SET SCREW	2	
016	544-25164-20	CABLE ADJUSTER STAY	1	
017	613-25100-20	CABLE ADJUST NUT	1	
018	614-25137-20	CABLE ADJUSTER	1	
019	431-0634C-20	CLEANER PACKING	1	
020	548-25151-20	SET SCREW	4	
021	549-25165-20	THRUST WASHER	1	
201	578-25007-20	INLET SCREEN	1	

S44-07 DA200E(SP) GEAR CASE-1



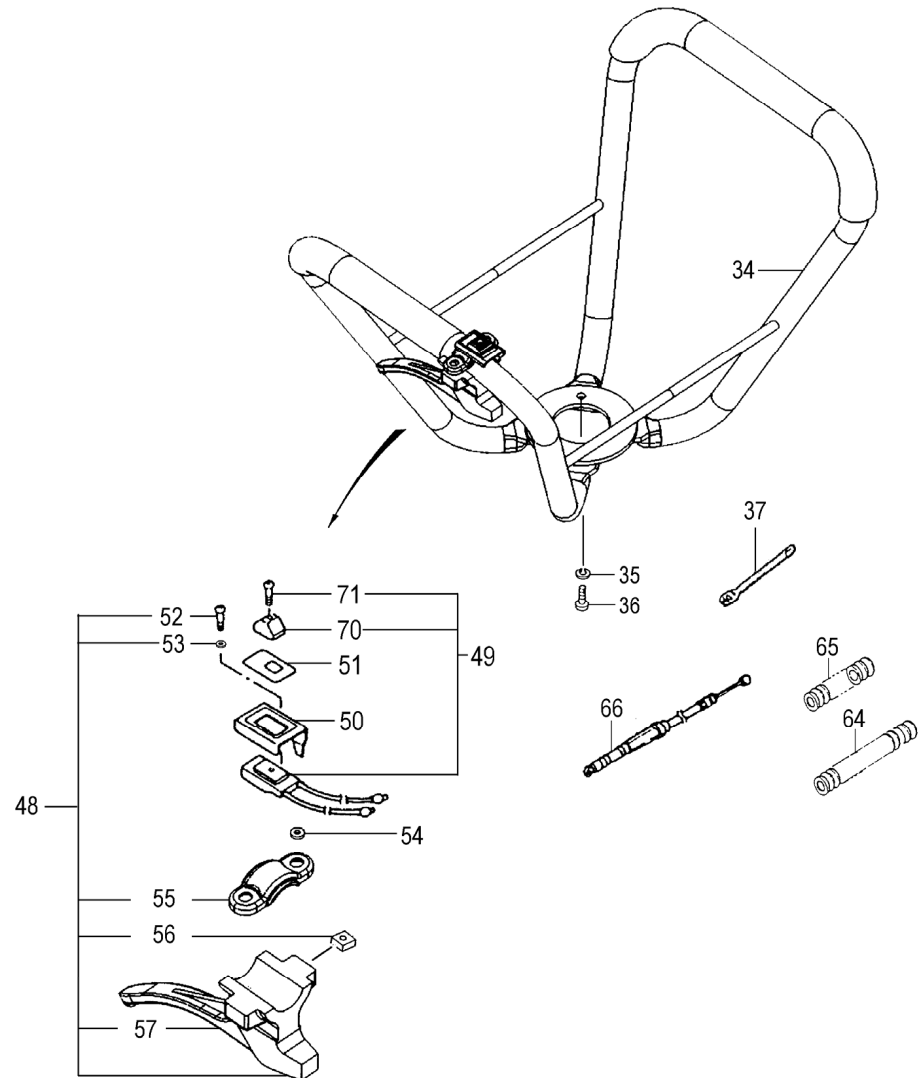
REF. NUMBER	PARTS NUMBER	DESCRIPTION	Q'TY	SERIAL NUMBER
001	226-32466-80	CLUTCH HOUSING COMP.	1	
002	200-32420-20	GEAR CASE A	1	
003	204-32401-20	GEAR CASE GASKET B	1	
005	994-40060-011	SPRING NUT 6	4	
007	221-32465-20	GEAR 2	1	
008	999-61620-202	BALL BEARING #6202Z, 35MM/O	1	
009	999-61620-200	BALL BEARING #6202, 35MM/O	1	
010	993-50015-002	STOP RING C-15, OUTER	1	
011	999-05041-203	KNOCK PIN 4X12	2	
012	201-32401-20	GEAR CASE B	1	
013	205-32401-20	GEAR CASE GASKET C	1	
014	994-14050-301	SCREW 5X30/S	2	
016	068-11000-20	WOOD-RUFF KEY 3X13X5.0	1	
019	999-61600-000	BALL BEARING #6000, 26MM/O	3	
039	992-01060-011	WASHER 6	1	
041	990-11060-081	SCREW 6X8	1	
063	993-50017-002	STOP RING C-17, OUTER	1	

S44-08 DA200E(SP) GEAR CASE-2



REF. NUMBER	PARTS NUMBER	DESCRIPTION	Q'TY	SERIAL NUMBER
021	223-32465-20	GEAR 4	1	
022	225-32465-20	DRIVE SHAFT	1	
023	999-05041-203	KNOCK PIN 4X12	2	
024	202-32465-20	GEAR CASE C	1	
025	990-11050-501	SCREW 5X50	4	
026	992-10050-012	S.WASHER 5	4	
027	994-14050-301	SCREW 5X30/S	2	
029	999-62203-572	THRUST BEARING 2035	1	
030	230-32465-20	GEAR SHAFT COLLAR A	1	
031	999-61690-401	BALL BEARING 6904ZZ C3	1	
032	993-51037-002	STOP RING C-37, INNER	1	
042	231-32465-20	GEAR SHAFT COLLAR B	1	
044	820-32203-20	PIN	2	
045	821-32203-20	SNAP PIN 8	2	
056	992-01080-011	WASHER 8	2	

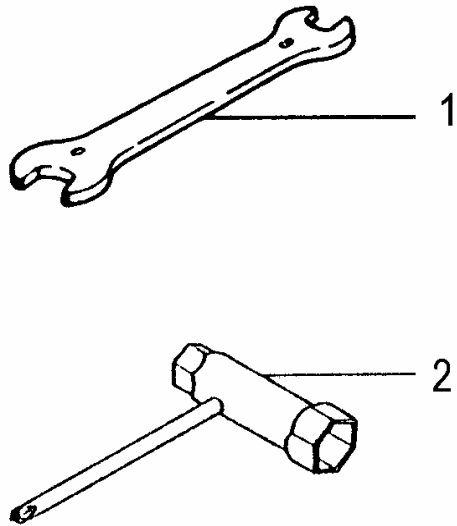
S44-09 DA200E(SP) HANDLE



REF. NUMBER	PARTS NUMBER	DESCRIPTION	Q'TY	SERIAL NUMBER
034	049-32475-92	HANDLE ASS'Y	1	
035	992-10060-012	S.WASHER 6	4	
036	990-23060-181	PLUS BOLT 6X18	4	
037	198-33130-20	CORD CLAMP	4	
048	870-32475-90	THROTTLE LEVER ASS'Y	1	
049	156-32475-90	STOP SWITCH ASS'Y	1	
050	640-32465-21	STOP BUTTON BRACKET	1	
051	925-33176-20	STOP BUTTON MARK	1	
052	990-23060-301	PLUS BOLT 6X30	2	
053	991-01060-011	NUT 6	2	
054	871-32600-20	SPECIAL WASHER B	1	
055	883-32475-20	THROTTLE LEVER BAND	1	
056	991-91060-061	SQUARE NUT 6	2	
057	880-32475-20	THROTTLE ARM	1	
064	164-10042-01	PROTECTION TUBE 10X42	1	
065	164-13015-01	SPLIT PROTECTION TUBE 13X	1	
066	885-0725A-80	THROTTLE WIRE 64045	1	
070	258-11650-20	BUTTON STOP	1	
071	994-31030-101	SCREW 3X10	1	

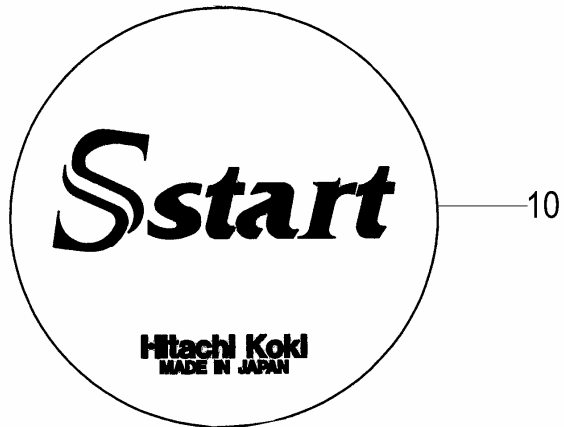
S44-10

DA200E(SP) TOOLS



REF. NUMBER	PARTS NUMBER	DESCRIPTION	Q'TY	SERIAL NUMBER
001	808-20000-20	SPANNER 10X13	1	
002	036-29331-50	COMBI. BOX SPANNER 10X19 ,	1	

S44-11 DA200E(SP) LABELS



REF. NUMBER	PARTS NUMBER	DESCRIPTION	Q'TY	SERIAL NUMBER
001	929-0725C-20	SYMBOL MARKS DA200E(SP)	1	
010	915-07366-21	STARTER MARK S.START	1	